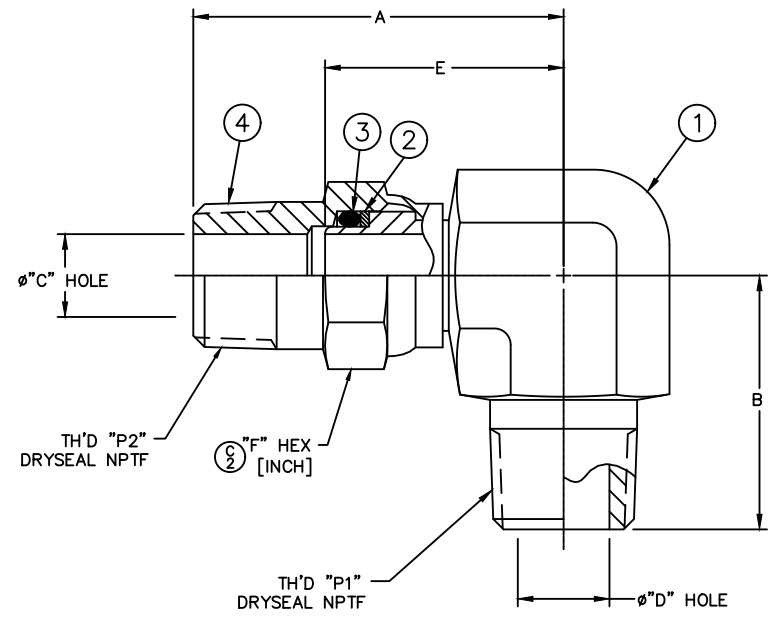


WEATHERHEAD PART NUMBER	AEROQUIP PART NUMBER	TH'D "P <sub>1</sub> "	TH'D "P <sub>2</sub> "	A REF	B REF	C REF	D REF	E REF	F REF
9435X4X4	2251-4-4S	1/4-18	1/4-18	43.7 [1.72]	27.7 [1.09]	7.1 [.28]	7.1 [.28]	30.5 [1.20]	3/4
9435X6X6	2251-6-6S	3/8-18	3/8-18	45.2 [1.78]	31 [1.22]	10.2 [.40]	10.4 [.41]	32.5 [1.28]	7/8
9435X8X8	2251-8-8S	1/2-14	1/2-14	54.4 [2.14]	37.3 [1.47]	12.2 [.48]	13.5 [.53]	35.1 [1.38]	15/16
9435X12X12	2251-12-12S	3/4-14	3/4-14	66.3 [2.61]	40.4 [1.59]	18.3 [.72]	18.3 [.72]	45.5 [1.79]	1 3/8

REVISIONS			
REV	DESCRIPTION	DATE	APPROVED
B	REDRAWN & UPDATED IN DANFOSS FORMAT & DIMENSION STYLE. 1) "FW1764-1212S" WAS "221033-12-12S" 2) "66.3 [2.61]" WAS "2.33". 3) "45.5 [1.79]" WAS "1.60".	2009-03-13 AGV/SRH	0023875-ECO DP-1299
C	1) ADDED WEATHERHEAD PART NUMBER COLUMN. 2) UPDATED VALUES OF "F REF" DIMENSION. 3) UPDATED NOTE #1.	2015-02-26 SBD/DHS	0107824-ECO



METRIC

9435X12X12	2251-12-12S	FF2722-1212S	22049-212	22550-212	FW1764-1212S	△2
9435X8X8	2251-8-8S	FF2722-0808S	22049-113	22550-113	221033-8-8S	△1
9435X6X6	2251-6-6S	FF2722-0606S	FF9686-06	22550-112	221033-6-6S	△1
9435X4X4	2251-4-4S	FF2722-0404S	FF9686-04	22550-110	221033-4-4S	△1
WEATHERHEAD PART NUMBER	AEROQUIP PART NUMBER	① ADAPTER BODY	② BACK-UP RING	③ O-RING	④ NUT	

LIST OF MATERIALS

ITEM NO.	MATERIAL	DRAWN A. VARANKAR	CHECKED S. HASABE	APPROVED R. RUTSCHILLING	RELEASE DATE 2009-03-13	0023875-ECO DP-1299	SIZE A2	DRAWING NUMBER 2251-S	REV C
1	STEEL	FLUID CONVEYANCE DIVISION DRAWING TITLE <b>ADAPTER</b> 90°, MALE PIPE TO MALE PIPE SWIVEL SCALE: NONE DIST U CAGE CODE: 01276 SHEET 1 THE REPRODUCTION, DISTRIBUTION AND UTILIZATION OF THIS DOCUMENT AS WELL AS THE COMMUNICATION OF ITS CONTENTS TO OTHERS WITHOUT EXPLICIT AUTHORIZATION IS PROHIBITED. OFFENDERS WILL BE HELD LIABLE FOR THE PAYMENT OF DAMAGES. ALL RIGHT RESERVED IN THE EVENT OF THE GRANT OF A PATENT, UTILITY MODEL OR DESIGN. (PER ISO 16016)							
2	TEFLON								
3	NITRILE (BUNA-N)								
4	STEEL								

4. ADAPTERS ARE NOT TO BE USED FOR 360° OSCILLATING SERVICE, BUT FEATURE 360° ADJUSTMENT FOR ALIGNMENT PURPOSES.

3. 100% INSPECT TO INSURE NUT SWIVELS.

△2 ASSEMBLE NUT PER ACES 2813

△1 ASSEMBLE NUT PER ES 2409P5. ③