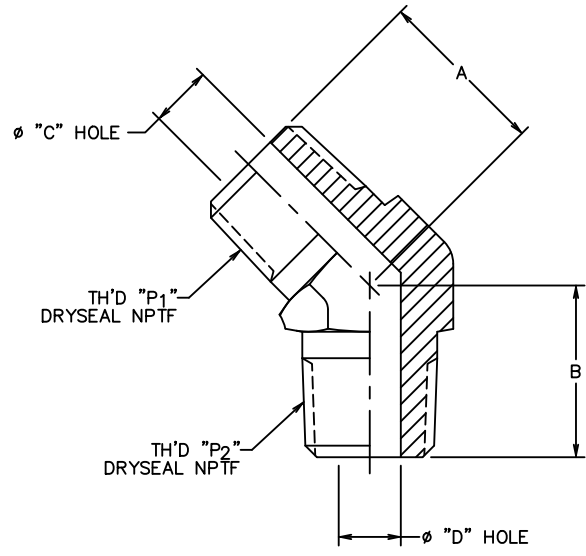


PART NUMBER	TH'D "R"	TH'D "P ₂ "	A REF	B REF	C REF	D REF
2247-2-2S	1/8-27	1/8-27	17 [.67]	17 [.67]	4.8 [.19]	4.8 [.19]
2247-4-4S	1/4-18	1/4-18	21.8 [.86]	21.8 [.86]	7.1 [.28]	7.1 [.28]
2247-6-4S	3/8-18	1/4-18	24.1 [.95]	24.1 [.95]	10.4 [.41]	7.1 [.28]
2247-6-6S	3/8-18	3/8-18	24.1 [.95]	24.1 [.95]	10.4 [.41]	10.4 [.41]
2247-8-8S	1/2-14	1/2-14	29.7 [1.17]	29.7 [1.17]	13.5 [.53]	13.5 [.53]
2247-12-12S	3/4-14	3/4-14	30.5 [1.20]	30.5 [1.20]	18.3 [.72]	18.3 [.72]
2247-16-16S	1-11 1/2	1-11 1/2	37.6 [1.48]	37.6 [1.48]	23.9 [.94]	23.9 [.94]
2247-20-20S	1 1/4-11 1/2	1 1/4-11 1/2	39.1 [1.54]	39.1 [1.54]	31.7 [1.25]	31.7 [1.25]

REVISIONS			
REV	DESCRIPTION	DATE	APPROVED
C	REDRAWN. UPDATED TO DANFOSS FORMAT AND DIMENSION STYLE. 1) ADDED PART 2247-2-2S	2010-04-23 AJC/DHS	0013773-ECO DP-1299
D	1) ADDED PERT #2247-20-20S. 2) "A" AND "B" DIMENSIONS WAS 16.3 [.64].	2011-04-25 SBM/AGV	0053946-ECO DP-1299



METRIC

2. MATERIAL: STEEL.
1. DIMENSIONS ARE IN MILLIMETERS [INCHES].

DRAWN A. CHAVAN CHECKED D. SHEWALE APPROVED D. SHEWALE RELEASE DATE 2010-04-23 0013773-ECO DP-1299 THIRD ANGLE PROJECTION	FLUID CONVEYANCE DIVISION DRAWING TITLE ADAPTER 45° EXTERNAL PIPE ELBOW SIZE A2 SCALE NONE DIST U CAGE CODE 01276 SHEET 2	REV D
THE REPRODUCTION, DISTRIBUTION AND UTILIZATION OF THIS DOCUMENT AS WELL AS THE COMMUNICATION OF ITS CONTENTS TO OTHERS WITHOUT EXPLICIT AUTHORIZATION IS PROHIBITED. OFFENDERS WILL BE HELD LIABLE FOR THE PAYMENT OF DAMAGES. ALL RIGHT RESERVED IN THE EVENT OF THE GRANT OF A PATENT, UTILITY MODEL OR DESIGN. (PER ISO 16016)		

DWG. NO. 2247-S
REV. D
SHEET 2