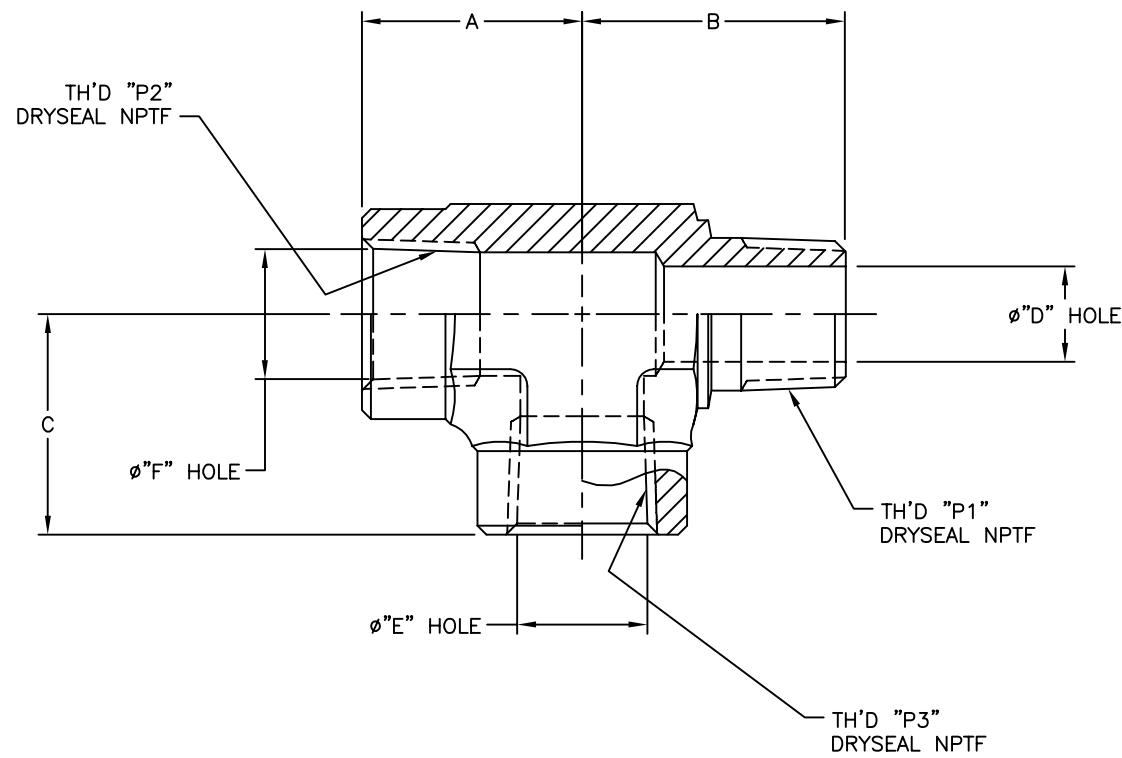


AEROQUIP PART NUMBER	WEATHERHEAD PART NUMBER	TH'D "P1"	TH'D "P2"	TH'D "P3"	A REF	B REF	C REF	D REF	E REF	F REF
2092-2-2S	C3759X2	1/8-27	1/8-27	1/8-27	16.8 [.66]	19.8 [.78]	16.8 [.66]	4.8 [.19]	7.4 [.29]	7.4 [.29]
2092-4-4S	C3759X4	1/4-18	1/4-18	1/4-18	22.4 [.88]	27.7 [1.09]	22.4 [.88]	7.1 [.28]	9.9 [.39]	9.9 [.39]
2092-6-6S	C3759X6	3/8-18	3/8-18	3/8-18	25.9 [1.02]	31 [1.22]	25.9 [1.02]	10.4 [.41]	13.5 [.53]	13.5 [.53]
2092-8-8S	C3759X8	1/2-14	1/2-14	1/2-14	31.2 [1.23]	37.3 [1.47]	31.2 [1.23]	13.5 [.53]	16.5 [.65]	16.5 [.65]
2092-12-8S	C3759X8X12	3/4-14	1/2-14	1/2-14	34.3 [1.35]	40.4 [1.59]	34.3 [1.35]	18.3 [.72]	16.5 [.65]	16.5 [.65]
2092-12-12S	C3759X12	3/4-14	3/4-14	3/4-14	34.5 [1.36]	40.4 [1.59]	34.5 [1.36]	18.3 [.72]	21.6 [.85]	21.6 [.85]
2092-16-16S	C3759X16	1-11 1/2	1-11 1/2	1-11 1/2	41.1 [1.62]	50 [1.97]	41.1 [1.62]	23.9 [.94]	26.9 [1.06]	26.9 [1.06]
2092-20-20S	C3759X20	1 1/4-11 1/2	1 1/4-11 1/2	1 1/4-11 1/2	43.2 [1.70]	60.5 [2.38]	43.2 [1.70]	31.8 [1.25]	35.6 [1.40]	35.6 [1.40]
2092-24-24S	C3759X24	1 1/2-11 1/2	1 1/2-11 1/2	1 1/2-11 1/2	52.8 [2.08]	67.1 [2.64]	52.8 [2.08]	38.1 [1.50]	41.7 [1.64]	41.7 [1.64]

REVISIONS			
REV	DESCRIPTION	DATE	APPROVED
Y	REDRAWN AND UPDATED TO EATON FORMAT. 1) ADDED PART NUMBER.	2009-12-31 AAP/ADN	0038649-ECO
Z	1) "D REF" DIMENSION WAS 16.5 [.65] FOR PART #2092-12-08S.	2017-07-27 SMP/HLV	0136187-ECO



METRIC

2. DIMENSIONS ARE IN MILLIMETERS [INCHES].
1. MATERIAL: STEEL.

DRAWN A. PURANIK		INDUSTRIAL SECTOR	
CHECKED A. NAGARKATTI		HYDRAULICS GROUP, FLUID CONVEYANCE PRODUCTS, MAUMEE, OHIO U.S.A.	
APPROVED A. NAGARKATTI		DRAWING TITLE	
RELEASE DATE 2009-12-31		ADAPTER	
0038649-ECO		PIPE TEE, INTERNAL, EXTERNAL, INTERNAL (SAE #140424)	
SIZE A2	DRAWING NUMBER 2092-S	REV Z	
THIRD ANGLE PROJECTION	SCALE NONE	DIST U	CAGE CODE 01276 SHEET 1
<small>EATON CORPORATION - CONFIDENTIAL AND PROPRIETARY NOTICE TO PERSONS RECEIVING THIS DOCUMENT AND/OR TECHNICAL INFORMATION THIS DOCUMENT, INCLUDING THE DRAWING AND INFORMATION CONTAINED THEREON, IS CONFIDENTIAL AND IS THE EXCLUSIVE PROPERTY OF EATON CORPORATION, AND IS HEREBY LOANED AND SUBJECT TO RECEIPT BY EATON CORPORATION. IT IS THE POLICY OF EATON CORPORATION TO PROTECT AND PRESERVE THE CONFIDENTIALITY OF THIS DOCUMENT AND TO TAKE ALL NECESSARY AND APPROPRIATE ACTION TO ENFORCE THIS POLICY. ANY UNAUTHORIZED DISCLOSURE OR REPRODUCTION OF THIS DOCUMENT WITHOUT THE WRITTEN CONSENT OF EATON CORPORATION IS STRICTLY PROHIBITED. THIS NOTICE SHALL BE COPIED ON ALL REPRODUCTIONS OF THIS DOCUMENT. © 2009 Eaton Corporation - All Rights Reserved.</small>			