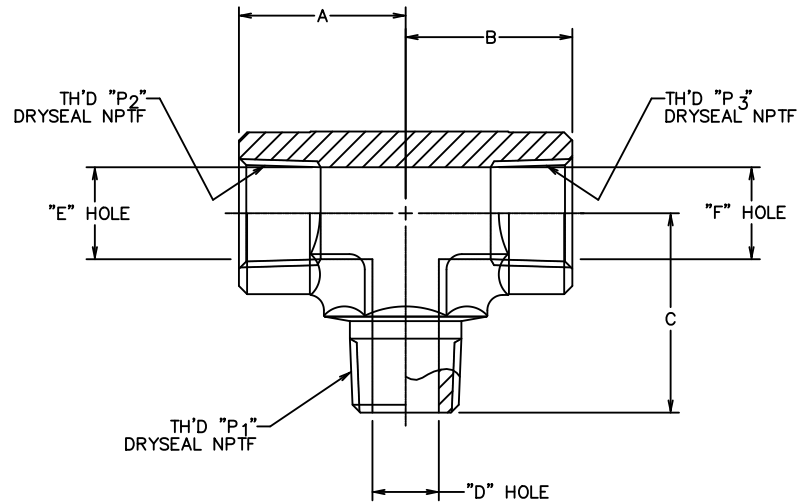


AEROQUIP PART NUMBER	WEATHERHEAD PART NUMBER	TH'D "P <sub>1</sub> "	TH'D "P <sub>2</sub> "	TH'D "P <sub>3</sub> "	A REF	B REF	C REF	D REF	E REF	F REF
2091-2-2S	C3609X2	1/8-27	1/8-27	1/8-27	.66	.66	.78	.19	.29	.29
2091-4-4S	C3609X4	1/4-18	1/4-18	1/4-18	.88	.88	1.09	.28	.39	.39
2091-6-6S	C3609X6	3/8-18	3/8-18	3/8-18	1.02	1.02	1.22	.41	.53	.53
2091-8-8S	C3609X8	1/2-14	1/2-14	1/2-14	1.23	1.23	1.47	.53	.65	.65
2091-12-12S	C3609X12	3/4-14	3/4-14	3/4-14	1.36	1.36	1.59	.72	.85	.85
2091-16-16S	C3609X16	1-11 1/2	1-11 1/2	1-11 1/2	1.62	1.62	1.97	.94	1.06	1.06

REVISIONS			
REV.	DESCRIPTION	DATE	APPROVED
S	1.) ADDED WEATHER HEAD PART NUMBER	2003-12-09 JEEJ	EN-F25513 DP-1513

①



1. MATERIAL: STEEL.

DRAWN J. EBERSOLE		<i>Danfoss</i> FLUID CONVEYANCE DIVISION	
CHECKED B. THOMAS			
APPROVED B. THOMAS		DRAWING TITLE ADAPTER	
RELEASE DATE 2003-12-09		PIPE TEE, INTERNAL, INTERNAL, EXTERNAL (SAE #140425)	
EN-F25513		DRAWING NUMBER 2091-S	
DP-1513		SIZE A2	REV S
THIRD ANGLE PROJECTION		SCALE 1:1	SHEET 1
		DIST U	CAGE CODE 01276
<small>THE REPRODUCTION, DISTRIBUTION AND UTILIZATION OF THIS DOCUMENT AS WELL AS THE COMMUNICATION OF ITS CONTENTS TO OTHERS WITHOUT EXPLICIT AUTHORIZATION IS PROHIBITED. OFFENDERS WILL BE HELD LIABLE FOR THE PAYMENT OF DAMAGES. ALL RIGHT RESERVED IN THE EVENT OF THE GRANT OF A PATENT, UTILITY MODEL OR DESIGN. (PER ISO 18016)</small>			

DWG. NO. 2091-S  
SH. 1  
REV. S