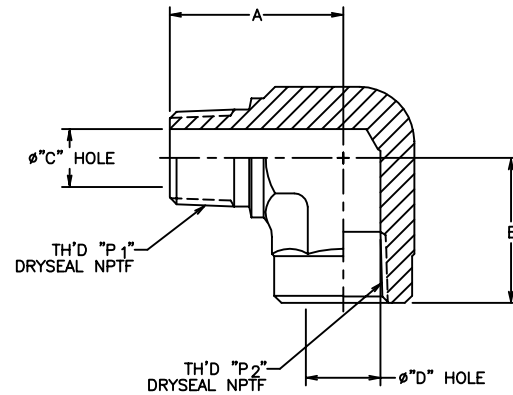


PART NUMBER	WEATHERHEAD CATALOG NUMBER	TH'D "P1"	TH'D "P2"	A REF	B REF	C REF	D REF
2089-2-2S	C3409X2	1/8-27	1/8-27	19.8 [.78]	16.8 [.66]	4.8 [.19]	7.4 [.29]
2089-2-4S	C3409X2X4	1/8-27	1/4-18	22.9 [.90]	22.4 [.88]	4.8 [.19]	9.9 [.39]
2089-4-2S	C3409X4X2	1/4-18	1/8-27	27.7 [1.09]	17 [.67]	7.1 [.28]	7.4 [.29]
2089-4-4S	C3409X4	1/4-18	1/4-18	27.7 [1.09]	22.4 [.88]	7.1 [.28]	9.9 [.39]
2089-4-6S	C3409X4X6	1/4-18	3/8-18	31 [1.22]	25.9 [1.02]	7.1 [.28]	13.5 [.53]
2089-6-4S	C3409X6X4	3/8-18	1/4-18	31 [1.22]	25.7 [1.01]	10.4 [.41]	9.9 [.39]
2089-6-6S	C3409X6	3/8-18	3/8-18	31 [1.22]	25.9 [1.02]	10.4 [.41]	13.5 [.53]
2089-6-8S	C3409X6X8	3/8-18	1/2-14	32.5 [1.28]	31.2 [1.23]	10.4 [.41]	16.5 [.65]
2089-8-6S	C3409X8X6	1/2-14	3/8-18	37.3 [1.47]	25.7 [1.01]	13.5 [.53]	13.5 [.53]
2089-8-8S	C3409X8	1/2-14	1/2-14	37.3 [1.47]	31.2 [1.23]	13.5 [.53]	16.5 [.65]
2089-8-12S	C3409X8X12	1/2-14	3/4-14	40.4 [1.59]	34.5 [1.36]	13.5 [.53]	21.6 [.85]
2089-12-8S	C3409X12X8	3/4-14	1/2-14	40.4 [1.59]	34.3 [1.35]	18.3 [.72]	16.5 [.65]
2089-12-12S	C3409X12	3/4-14	3/4-14	40.4 [1.59]	34.5 [1.36]	18.3 [.72]	21.6 [.85]
2089-16-16S	C3409X16	1-11 1/2	1-11 1/2	50 [1.97]	41.1 [1.62]	23.9 [.94]	26.9 [1.06]
2089-20-20S	C3409X20	1 1/4-11 1/2	1 1/4-11 1/2	60.5 [2.38]	43.2 [1.70]	31.8 [1.25]	35.6 [1.40]
2089-24-24S	C3409X24	1 1/2-11 1/2	1 1/2-11 1/2	67.1 [2.64]	52.8 [2.08]	38.1 [1.50]	41.7 [1.64]
2089-32-32S	C3409X32	2-11 1/2	2-11 1/2	76.2 [3.00]	60.7 [2.39]	49 [1.93]	55.6 [2.19]

REVISIONS			
REV	DESCRIPTION	DATE	APPROVED
AP	REDRAWN, UPDATED TO EATON FORMAT & DIMENSION STYLE. 1) ADDED 2089-32-32S PART.	2014-03-28 UPK/DHS	0095959-ECO



METRIC

2. MATERIAL: STEEL.

1. DIMENSIONS ARE IN MILLIMETERS [INCHES].

DRAWN U. KADAKOL CHECKED D. SHEWALE APPROVED J. SNYDER RELEASE DATE 2014-03-28 0095959-ECO		INDUSTRIAL SECTOR HYDRAULICS GROUP, FLUID CONVEYANCE PRODUCTS, MAUMEE, OHIO U.S.A.
DRAWING TITLE <b>ADAPTER</b> 90° STREET ELBOW (SAE #140239)		
SIZE A2 THIRD ANGLE PROJECTION	DRAWING NUMBER <b>2089-S</b>	REV AP
SCALE NONE 	DIST U CAGE CODE 01276	SHEET 1
<small>EATON CORPORATION - CONFIDENTIAL AND PROPRIETARY NOTICE TO PERSONS RECEIVING THIS DOCUMENT AND/OR TECHNICAL INFORMATION: THIS DOCUMENT IS UNCLASSIFIED AND PUBLIC RELEASE IS AUTHORIZED. IT IS THE PROPERTY OF EATON CORPORATION AND IS LOANED TO YOUR ORGANIZATION. IT IS TO BE USED ONLY FOR THE PURPOSES AUTHORIZED BY THE LOANING AGENCY. IT IS NOT TO BE REPRODUCED, COPIED, OR TRANSMITTED IN ANY FORM OR BY ANY MEANS, ELECTRONIC OR MECHANICAL, INCLUDING PHOTOCOPYING, RECORDING, OR BY ANY INFORMATION STORAGE AND RETRIEVAL SYSTEM, WITHOUT THE WRITTEN PERMISSION OF EATON CORPORATION. EATON CORPORATION IS NOT RESPONSIBLE FOR ANY DAMAGE TO PERSONS OR PROPERTY ARISING FROM THE USE OF THIS DOCUMENT.</small>		