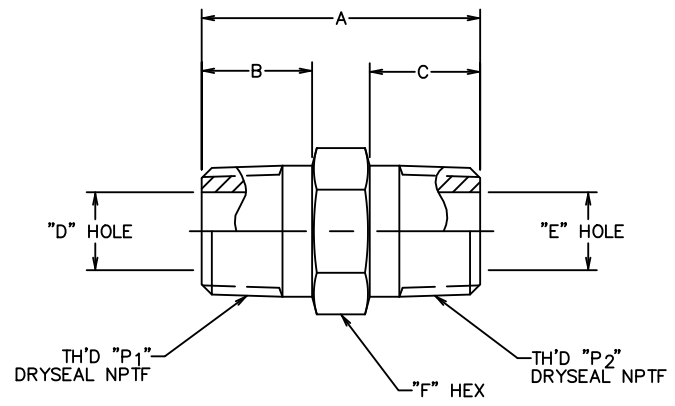


AEROQUIP PART NUMBER	WEATHERHEAD CATALOG NUMBER	TH'D "P1"	TH'D "P2"	A REF	B REF	C REF	D REF	E REF	F REF
2083-1-1S	C3069X1	1/16-27	1/16-27	.940	.38	.38	.141	.141	.31
2083-2-1S	C3069X2X1	1/8-27	1/16-27	.970	.40	.40	.219	.141	.44
2083-2-2S	C3069X2	1/8-27	1/8-27	1.06	.40	.40	.19	.19	.44
2083-4-2S	C3069X4X2	1/4-18	1/8-27	1.26	.58	.40	.28	.19	.62
2083-4-4S	C3069X4	1/4-18	1/4-18	1.45	.58	.58	.28	.28	.62
2083-6-2S	C3069X6X2	3/8-18	1/8-27	1.26	.58	.40	.406	.188	.75
2083-6-4S	C3069X6X4	3/8-18	1/4-18	1.45	.58	.58	.41	.28	.75
2083-6-6S	C3069X6	3/8-18	3/8-18	1.45	.58	.58	.41	.41	.75
2083-8-4S	C3069X8X4	1/2-14	1/4-18	1.70	.76	.58	.53	.28	.88
2083-8-6S	C3069X8X6	1/2-14	3/8-18	1.70	.76	.58	.53	.41	.88
2083-8-8S	C3069X8	1/2-14	1/2-14	1.89	.76	.76	.53	.53	.88
2083-12-6S	C3069X12X6	3/4-14	3/8-18	1.77	.76	.58	.72	.41	1.12
2083-12-8S	C3069X12X8	3/4-14	1/2-14	1.96	.76	.76	.72	.53	1.12
2083-12-12S	C3069X12	3/4-14	3/4-14	1.96	.76	.76	.72	.72	1.12
2083-16-12S	C3069X16X12	1-11 1/2	3/4-14	2.15	.96	.76	.94	.72	1.38
2083-16-16S	C3069X16	1-11 1/2	1-11 1/2	2.34	.96	.96	.94	.94	1.38
2083-20-16S	C3069X20X16	1 1/4-11 1/2	1-11 1/2	2.45	.98	.96	1.25	.94	1.75
2083-20-20S	C3069X20	1 1/4-11 1/2	1 1/4-11 1/2	2.48	.98	.98	1.25	1.25	1.75
2083-24-24S	C3069X24	1 1/2-11 1/2	1 1/2-11 1/2	2.61	1.02	1.02	1.50	1.50	2.00
2083-32-32S	C3069X32	2-11 1/2	2-11 1/2	2.82	1.04	1.04	1.94	1.94	2.50

REVISIONS			
REV	DESCRIPTION	DATE	APPROVED
K	(1) REDRAWN, ADDED WEATHERHEAD CATALOG NUMBER & ADDED 2083-1-1S, 2083-2-1S, AND 2083-6-2S	2003-10-15	EN-F25086 ATH/W.R.H. DP-1513
L	(1) UPDATED ALL DIMENSIONS AS PER LATEST PART DRAWING.	2013-01-02 AGV	0078368- ECO



1. MATERIAL: STEEL.

DRAWN A. HISS	Danfoss FLUID CONVEYANCE DIVISION		
CHECKED W.R. HYDE	DRAWING TITLE		
APPROVED R. DIMILIA	ADAPTER		
RELEASE DATE 2003-10-15	HEXAGON PIPE NIPPLE		
EN-F25086	(SAE #140137)		
DP-1513	SIZE A2	DRAWING NUMBER 2083-S	REV L
THIRD ANGLE PROJECTION	SCALE * DIST U	CAGE CODE 01276	SHEET 1
THE REPRODUCTION, DISTRIBUTION AND UTILIZATION OF THIS DOCUMENT AS WELL AS THE COMMUNICATION OF ITS CONTENTS TO OTHERS WITHOUT EXPLICIT AUTHORIZATION IS PROHIBITED. OFFENDERS WILL BE HELD LIABLE FOR THE PAYMENT OF DAMAGES. ALL RIGHT RESERVED IN THE EVENT OF THE GRANT OF A PATENT, UTILITY MODEL OR DESIGN. (PER ISO 16016)			

REV. L
SH. 1
DWG. NO. 2083-S