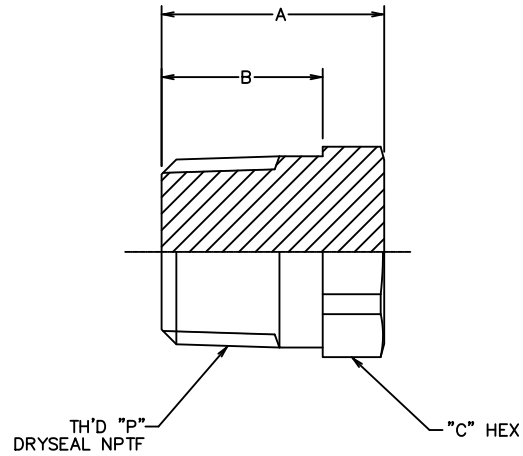


PART NUMBER	WEATHERHEAD CATALOG NUMBER	TH'D "P"	A REF	B REF	C REF
2082-2S	C3159X2	1/8-27	.58	.40	.44
2082-4S	C3159X4	1/4-18	.76	.58	.56
2082-6S	C3159X6	3/8-18	.79	.58	.69
2082-8S	C3159X8	1/2-14	.98	.76	.88
2082-12S	C3159X12	3/4-14	1.08	.76	1.06
2082-16S	C3159X16	1-11 1/2	1.27	.96	1.31
2082-20S	C3159X20	1 1/4-11 1/2	1.30	.98	1.75
2082-24S	C3159X24	1 1/2-11 1/2	1.33	1.02	2.00
2082-32S	C3159X32	2-11 1/2	1.39	1.04	2.38

REVISIONS			
REV.	DESCRIPTION	DATE	APPROVED
H	1) ADDED WEATHERHEAD CATALOG NUMBERS	2003-12-01 REM/W.R.H.	EN-F25473 DP-1513

(H)



1. MATERIAL: STEEL

DRAWN RMCCULLY	Danfoss FLUID CONVEYANCE DIVISION		
CHECKED W.R.HYDE	DRAWING TITLE PLUG HEXAGON OUTSIDE HEAD PIPE (SAE #130109E)		
APPROVED W.R.HYDE	SIZE A2	DRAWING NUMBER 2082-S	REV H
RELEASE DATE 2003-12-01	SCALE NONE		
EN-F25473	DIST U		
DP-1513	CAGE CODE 01276		
THIRD ANGLE PROJECTION	SHEET		
<small>THE REPRODUCTION, DISTRIBUTION AND UTILIZATION OF THIS DOCUMENT AS WELL AS THE COMMUNICATION OF ITS CONTENTS TO OTHERS WITHOUT EXPLICIT AUTHORIZATION IS PROHIBITED. OFFENDERS WILL BE HELD LIABLE FOR THE PAYMENT OF DAMAGES. ALL RIGHT RESERVED IN THE EVENT OF THE GRANT OF A PATENT, UTILITY MODEL OR DESIGN. (PER ISO 18016)</small>			

DWG. NO. 2082-S SH. H