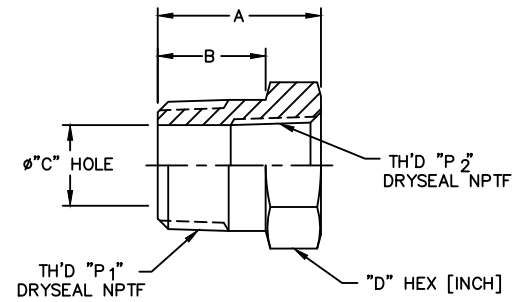


AEROQUIP PART NUMBER	WEATHERHEAD PART NUMBER	TH'D "P ₁ "	TH'D "P ₂ "	A REF	B REF	C REF	D REF
2081-4-2S	C3109X4X2	1/4-18	1/8-27	21.6 [.85]	14.7 [.58]	7.1 [.28]	5/8
2081-6-2S	C3109X6X2	3/8-18	1/8-27	21.6 [.85]	14.7 [.58]	7.6 [.30]	3/4
2081-6-4S	C3109X6X4	3/8-18	1/4-18	25.4 [1.00]	14.7 [.58]	10.4 [.41]	3/4
2081-8-2S	C3109X8X2	1/2-14	1/8-27	27.9 [1.10]	19.3 [.76]	7.6 [.30]	7/8
2081-8-4S	C3109X8X4	1/2-14	1/4-18	27.9 [1.10]	19.3 [.76]	9.9 [.39]	7/8
2081-8-6S	C3109X8X6	1/2-14	3/8-18	28.4 [1.12]	19.3 [.76]	13.5 [.53]	7/8
2081-12-4S	C3109X12X4	3/4-14	1/4-18	29.7 [1.17]	19.3 [.76]	9.9 [.39]	1 1/8
2081-12-6S	C3109X12X6	3/4-14	3/8-18	29.7 [1.17]	19.3 [.76]	13.5 [.53]	1 1/8
2081-12-8S	C3109X12X8	3/4-14	1/2-14	34.5 [1.36]	19.3 [.76]	16.8 [.66]	1 1/8
2081-16-6S	C3109X16X6	1-11 1/2	3/8-18	34.5 [1.36]	24.4 [.96]	14 [.55]	1 3/8
2081-16-4S	C3109X16X4	1-11 1/2	1/4-18	34.5 [1.36]	24.4 [.96]	9.9 [.39]	1 3/8
2081-16-8S	C3109X16X8	1-11 1/2	1/2-14	34.5 [1.36]	24.4 [.96]	17 [.67]	1 3/8
2081-16-12S	C3109X16X12	1-11 1/2	3/4-14	37.8 [1.49]	24.4 [.96]	22.4 [.88]	1 3/8
2081-20-8S	C3109X20X8	1 1/4-11 1/2	1/2-14	37.3 [1.47]	24.9 [.98]	17 [.67]	1 3/4
2081-20-12S	C3109X20X12	1 1/4-11 1/2	3/4-14	37.3 [1.47]	24.9 [.98]	21.8 [.86]	1 3/4
2081-20-16S	C3109X20X16	1 1/4-11 1/2	1-11 1/2	40.9 [1.61]	24.9 [.98]	26.9 [1.06]	1 3/4
2081-24-12S	C3109X24X12	1 1/2-11 1/2	3/4-14	39.9 [1.57]	25.9 [1.02]	21.8 [.86]	2
2081-24-16S	C3109X24X16	1 1/2-11 1/2	1-11 1/2	39.9 [1.57]	25.9 [1.02]	26.9 [1.06]	2
2081-24-20S	C3109X24X20	1 1/2-11 1/2	1 1/4-11 1/2	39.9 [1.57]	25.9 [1.02]	36.6 [1.44]	2
2081-32-16S	C3109X32X16	2-11 1/2	1-11 1/2	44.4 [1.75]	26.4 [1.04]	26.9 [1.06]	2 1/2
2081-32-20S	C3109X32X20	2-11 1/2	1 1/4-11 1/2	44.4 [1.75]	26.4 [1.04]	36.6 [1.44]	2 1/2
2081-32-24S	C3109X32X24	2-11 1/2	1 1/2-11 1/2	44.4 [1.75]	26.4 [1.04]	42.9 [1.69]	2 1/2

REVISIONS			
REV	DESCRIPTION	DATE	APPROVED
S	REDRAWN. UPDATED TO LATEST DANFOSS FORMAT & DIMENSION STYLE. 1) "A" DIM. FOR 2081-24-20S WAS 43.4 [1.71] REF.	2011-07-05 DHS	0057296-ECO DP-1299
T	1) ADDED PARTS 2081-16-4S & 2081-20-8S	2012-04-12 ADM/VJS	0068801-ECO



- 2. MATERIAL: STEEL.
- 1. DIMENSIONS ARE IN MILLIMETERS [INCHES].

METRIC

DRAWN D. SHEWALE CHECKED D. SHEWALE APPROVED J. LUGINBILL RELEASE DATE 2011-07-05 0057296-ECO DP-1299	FLUID CONVEYANCE DIVISION DRAWING TITLE ADAPTER REDUCER BUSHING (SAE #140140)
THIRD ANGLE PROJECTION 	SIZE A2 DRAWING NUMBER 2081-S SCALE NONE DIST U CAGE CODE 01276 SHEET 1
THE REPRODUCTION, DISTRIBUTION AND UTILIZATION OF THIS DOCUMENT AS WELL AS THE COMMUNICATION OF ITS CONTENTS TO OTHERS WITHOUT EXPLICIT AUTHORIZATION IS PROHIBITED. OFFENDERS WILL BE HELD LIABLE FOR THE PAYMENT OF DAMAGES. ALL RIGHT RESERVED IN THE EVENT OF THE GRANT OF A PATENT, UTILITY MODEL OR DESIGN. (PER ISO 16016)	

DWG. NO. 2081-S
 SH. 1
 REV. 1