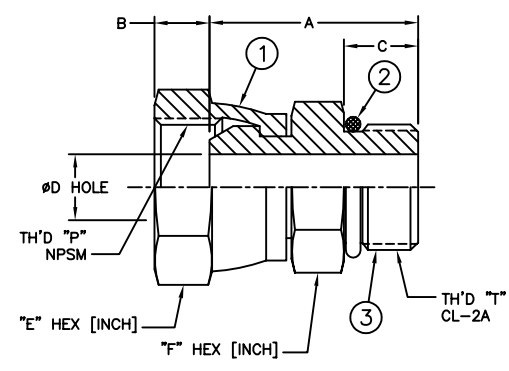


PART NUMBER	WEATHERHEAD PART NUMBER	TH'D "P"	TH'D "T"	A REF	B REF	C REF	D REF	E REF	F REF
2066-4-4S	9315X4X4	1/4-18	7/16-20	26.7 [1.05]	6.4 [.25]	9.1 [.36]	4.3 [.17]	11/16	9/16
2066-4-5S	9315X5X4	1/4-18	1/2-20	25.9 [1.02]	6.4 [.25]	9.1 [.36]	5.6 [.22]	11/16	5/8
2066-4-6S	9315X6X4	1/4-18	9/16-18	29 [1.14]	6.4 [.25]	9.9 [.39]	5.6 [.22]	11/16	11/16
2066-6-4S	9315X4X6	3/8-18	7/16-20	26.6 [1.05]	6.4 [.25]	9.1 [.36]	4.3 [.17]	7/8	11/16
2066-6-6S	9315X6X6	3/8-18	9/16-18	29 [1.14]	6.4 [.25]	9.9 [.39]	7.6 [.30]	7/8	11/16
2066-6-8S	9315X8X6	3/8-18	3/4-16	30.2 [1.19]	6.4 [.25]	11.2 [.44]	8.6 [.34]	7/8	7/8
2066-8-8S	9315X8X8	1/2-14	3/4-16	31.2 [1.23]	8.4 [.33]	11.2 [.44]	9.9 [.39]	1	7/8
2066-8-10S	9315X10X8	1/2-14	7/8-14	33 [1.30]	8.4 [.33]	12.7 [.50]	11.7 [.46]	1	1
2066-8-12S	9315X12X8	1/2-14	1 1/16-12	37.1 [1.46]	8.4 [.33]	15 [.59]	11.7 [.46]	1	1 1/4
2066-12-8S	9315X8X12	3/4-14	3/4-16	37.8 [1.49]	7.6 [.30]	11.2 [.44]	9.9 [.39]	1 1/4	1 1/4
2066-12-10S	9315X10X12	3/4-14	7/8-14	39.4 [1.55]	7.6 [.30]	12.7 [.50]	12.2 [.48]	1 1/4	1 1/4
2066-12-12S	9315X12X12	3/4-14	1 1/16-12	40.1 [1.58]	7.6 [.30]	15 [.59]	15.5 [.61]	1 1/4	1 1/4
2066-12-14S	9315X14X12	3/4-14	1 3/16-12	40.1 [1.58]	7.6 [.30]	15 [.59]	16.3 [.64]	1 1/4	1 3/8
2066-16-16S	9315X16X16	1-11 1/2	1 5/16-12	40.4 [1.59]	9.7 [.38]	15 [.59]	21.1 [.83]	1 1/2	1 1/2
2066-16-20S	9315X20X16	1-11 1/2	1 5/8-12	40.4 [1.59]	9.7 [.38]	15 [.59]	21.1 [.83]	1 1/2	1 7/8
2066-24-24S	9315X24X24	1 1/2-11 1/2	1 7/8-12	51.3 [2.02]	10.7 [.42]	15 [.59]	33.3 [1.31]	2 1/8	2 1/8

REVISIONS			
REV	DESCRIPTION	DATE	APPROVED
P	REDRAWN UPDATED TO EATON FORMAT & DIMENSION STYLE. 1) ADDED EQUIVALENT WEATHERHEAD CATLOG PARTS NUMBERS 2) ADDED PART # 2066-4-5S, 2066-4-6S, 2066-6-4S, 2066-6-6S, 2066-6-8S, 2066-8-8S, 2066-12-10S, 2066-12-12S, 2066-12-14S, 2066-24-24S	2012-03-06 MBK/PSW	0067478-ECO
R	1) REMOVED PART NUMBERS 2066-4-8S, 2066-6-10S, 2066-8-6S, 2066-12-16S, 2066-20-20S. 2) SHEET WAS "*" . 3) ADDED WEATHERHEAD PART NUMBER COLUMN IN "LIST OF MATERIALS" TABLE. 4) DIM B.4 [.33] WAS 7.6 [.30].	2013-10-04 VSP	0090168-ECO



1. DIMENSIONS ARE IN MILLIMETERS [INCH].

PART NUMBER	WEATHERHEAD PART NUMBER	1 NUT	2 O-RING	3 ADAPTER
2066-24-24S	9315X24X24	2045-3-24S	22617-24	2066-1-24-24S
2066-16-20S	9315X20X16	2045-3-16S	22617-20	2066-1-16-20S
2066-16-16S	9315X16X16	2045-3-16S	22617-16	2066-1-16-16S
2066-12-14S	9315X14X12	2045-3-12S	22617-14	2066-1-12-14S
2066-12-12S	9315X12X12	2045-3-12S	22617-12	2066-1-12-12S
2066-12-10S	9315X10X12	2045-3-12S	22617-10	2066-1-12-10S
2066-12-8S	9315X8X12	2045-3-12S	22617-8	2066-1-12-8S
2066-8-12S	9315X12X8	2045-3-8S	22617-12	2066-1-8-12S
2066-8-10S	9315X10X8	2045-3-8S	22617-10	2066-1-8-10S
2066-8-8S	9315X8X8	2045-3-8S	22617-8	2066-1-8-8S
2066-6-8S	9315X8X6	2045-3-6S	22617-8	2066-1-6-8S
2066-6-6S	9315X6X6	2045-3-6S	22617-6	2066-1-6-6S
2066-6-4S	9315X4X6	2045-3-6S	22617-4	2066-1-6-4S
2066-4-6S	9315X6X4	2045-3-4S	22617-6	2066-1-4-6S
2066-4-5S	9315X5X4	2045-3-4S	22617-5	2066-1-4-5S
2066-4-4S	9315X4X4	2045-3-4S	22617-4	2066-1-4-4S

LIST OF MATERIALS

ITEM NO.	MATERIAL
1	STEEL
2	NITRILE (BUNA-N)
3	STEEL

DRAWN: M. KHEDEKAR
 CHECKED: P. WARUDKAR
 APPROVED: Y. KULKARNI
 RELEASE DATE: 2012-04-28
 0067478-ECO

EATON INDUSTRIAL SECTOR
 HYDRAULICS GROUP,
 FLUID CONVEYANCE PRODUCTS,
 MAUMEE, OHIO U.S.A.

DRAWING TITLE: ADAPTER
 FEMALE ADAPTER UNION TO
 MALE STRAIGHT THREAD (SAE #140157)

SIZE: A1
 DRAWING NUMBER: 2066
 SCALE: NONE
 DIST: U
 CAGE CODE: 01276
 SHEET: 1 OF 2

THIRD ANGLE PROJECTION
 CONFIDENTIAL AND PROPRIETARY NOTICE TO PERSONS RECEIVING THIS DRAWING AND/OR TECHNICAL INFORMATION

METRIC