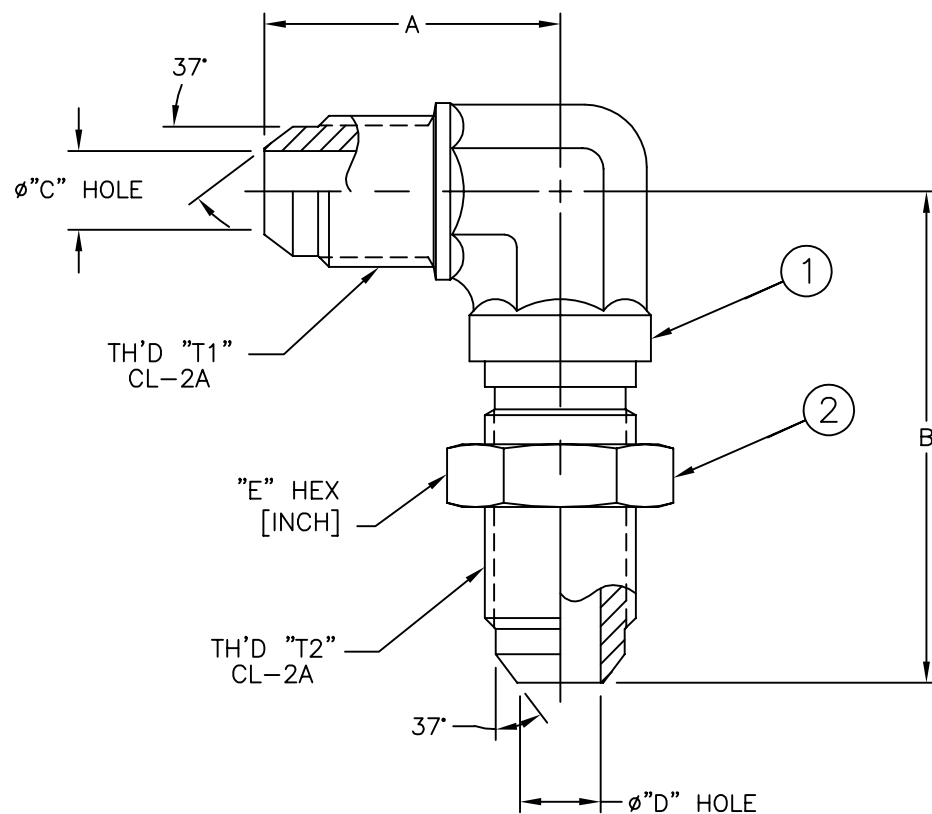


PART NUMBER	TH'D "T1"	TH'D "T2"	A REF	B REF	C REF	D REF	E REF
2043-3-3S	3/8-24	3/8-24	23.9 [.94]	38.1 [1.50]	3.2 [.13]	3.2 [.13]	5/8
2043-4-4S	7/16-20	7/16-20	24.6 [.97]	40.4 [1.59]	4.3 [.17]	4.3 [.17]	11/16
2043-5-5S	1/2-20	1/2-20	26.9 [1.06]	43.7 [1.72]	5.8 [.23]	5.8 [.23]	3/4
2043-6-6S	9/16-18	9/16-18	27.7 [1.09]	46 [1.81]	7.6 [.30]	7.6 [.30]	13/16
2043-8-8S	3/4-16	3/4-16	34.5 [1.36]	53.6 [2.11]	9.9 [.39]	9.9 [.39]	1
2043-10-10S	7/8-14	7/8-14	39.6 [1.56]	60.7 [2.39]	12.2 [.48]	12.2 [.48]	1 1/8
2043-12-12S	1 1/16-12	1 1/16-12	45.2 [1.78]	67.8 [2.67]	15.5 [.61]	15.5 [.61]	1 3/8
2043-16-16S	1 5/16-12	1 5/16-12	49.3 [1.94]	71.1 [2.80]	21.3 [.84]	21.3 [.84]	1 5/8
2043-20-20S	1 5/8-12	1 5/8-12	55.1 [2.17]	79.2 [3.12]	27.4 [1.08]	27.4 [1.08]	1 7/8

REVISIONS		REVISIONS	
REV	DESCRIPTION	DATE	APPROVED
Z	REDRAWN, UPDATED TO EATON FORMAT & DIMENSION STYLE. 1) ADDED PART #2043-3-3S 2) ADDED PART #2043-20-20S 3) REMOVED WEATHERHEAD PART NUMBERS.	2009-12-28 VJS/ADN	0038346-ECO

METRIC



1. DIMENSIONS ARE IN MILLIMETERS [INCHES].

2043-20-20S	2043-1-20-20S	210212-20S			
2043-16-16S	2043-1-16-16S	210212-16S			
2043-12-12S	2043-1-12-12S	210212-12S			
2043-10-10S	2043-1-10-10S	210212-10S			
2043-8-8S	2043-1-8-8S	210212-8S			
2043-6-6S	2043-1-6-6S	210212-6S			
2043-5-5S	2043-1-5-5S	210212-5S			
2043-4-4S	2043-1-4-4S	210212-4S			
2043-3-3S	2043-1-3-3S	210212-3S			
PART NUMBER	1 ADAPTER BODY	2 JAM NUT			

LIST OF MATERIALS

ITEM NO.	MATERIAL	DRAWN	CHECKED	APPROVED	RELEASE DATE
1	STEEL	V. SURYAWANSHI	A. NAGARKATTI	A. NAGARKATTI	2009-12-28
2	STEEL				0038346-ECO

DRAWING TITLE		HYDRAULICS OPERATIONS TECHNICAL CENTER MAUMEE, OHIO, U.S.A.	
SAE 37° FLARE - 90° BULKHEAD ELBOW (SAE #070701)		DRAWING NUMBER	
SIZE	A2	2043-S	REV Z
SCALE	NONE	DIST U	CAGE CODE 01276
SHEET		2	

CONFIDENTIAL AND PROPRIETARY NOTICE TO PERSONS RECEIVING THIS DRAWING AND/OR TECHNICAL INFORMATION: THIS DOCUMENT, INCLUDING THE DRAWING AND INFORMATION CONTAINED THEREON, IS CONFIDENTIAL AND IS THE EXCLUSIVE PROPERTY OF EATON CORPORATION, MERELY ON LOAN AND SUBJECT TO RECALL BY EATON AT ANY TIME. BY TAKING POSSESSION OF THIS DOCUMENT, THE RECIPIENT ACKNOWLEDGES AND AGREES THAT THIS DOCUMENT CANNOT BE USED IN ANY MANNER ADVERSE TO THE INTERESTS OF EATON AND THAT NO PORTION OF THIS DRAWING MAY BE COPIED OR OTHERWISE REPRODUCED WITHOUT THE PRIOR WRITTEN CONSENT OF EATON. IN THE CASE OF CONFLICTING CONTRACTUAL PROVISIONS, THIS NOTICE SHALL GOVERN THE STATUS OF THIS DOCUMENT. © 2008 Eaton Corporation - All Rights Reserved.

REV. Z
SH. 2
2043-S
DWG. NO.