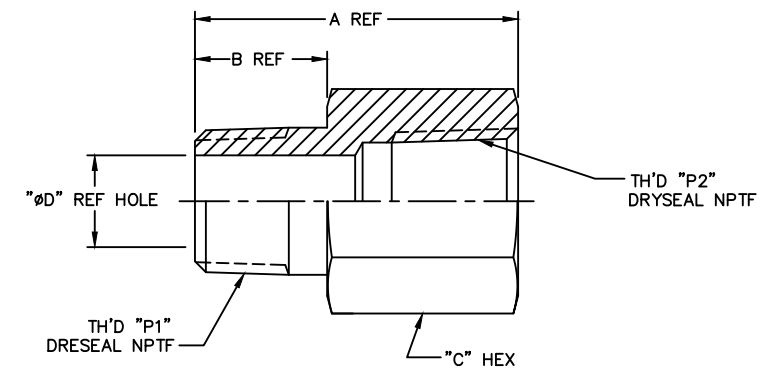


| AEROQUIP PART NUMBER | WEATHERHEAD PART NUMBER | TH'D "P1" | TH'D "P2" | A REF | B REF | C | D REF |
|----------------------|-------------------------|--------------|--------------|----------------|----------------|-------|----------------|
| 2040-2-2S | C3209X2X2 | 1/8-27 | 1/8-27 | 26.4 [1.04] | 10.2 [.40] | 5/8 | 4.8 [.19] |
| 2040-2-4S | C3209X4X2 | 1/8-27 | 1/4-18 | 30.7 [1.21] | 10.2 [.40] | 3/4 | 4.8 [.19] |
| 2040-4-4S | C3209X4X4 | 1/4-18 | 1/4-18 | 35.3 [1.39] | 14.7 [.58] | 3/4 | 7.1 [.28] |
| 2040-4-6S | C3209X6X4 | 1/4-18 | 3/8-18 | 36.6 [1.44] | 14.7 [.58] | 7/8 | 7.1 [.28] |
| 2040-4-8S | C3209X8X4 | 1/4-18 | 1/2-14 | 42.7 [1.68] | 14.7 [.58] | 1 1/8 | 7.1 [.28] |
| 2040-6-6S | C3209X6X6 | 3/8-18 | 3/8-18 | 36.6 [1.44] | 14.7 [.58] | 7/8 | 10.4 [.41] |
| 2040-6-8S | C3209X8X6 | 3/8-18 | 1/2-14 | 42.7 [1.68] | 14.7 [.58] | 1 1/8 | 10.4 [.41] |
| 2040-8-8S | C3209X8X8 | 1/2-14 | 1/2-14 | 47.5 [1.87] | 19.3 [.76] | 1 1/8 | 13.5 [.53] |
| 2040-8-12S | C3209X12X8 | 1/2-14 | 3/4-14 | 49 [1.93] | 19.3 [.76] | 1 3/8 | 13.5 [.53] |
| 2040-12-12S | C3209X12X12 | 3/4-14 | 3/4-14 | 49 [1.93] | 19.3 [.76] | 1 3/8 | 18.3 [.72] |
| 2040-12-16S | C3209X16X12 | 3/4-14 | 1-11 1/2 | 55.4 [2.18] | 19.3 [.76] | 1 5/8 | 18.3 [.72] |
| 2040-16-16S | C3209X16X16 | 1-11 1/2 | 1-11 1/2 | 60.2 [2.37] | 24.3 [.96] | 1 5/8 | 23.9 [.94] |
| 2040-16-20S | C3209X20X16 | 1-11 1/2 | 1 1/4-11 1/2 | 62.5 [2.46] | 24.3 [.96] | 2 | 23.9 [.94] |
| 2040-20-20S | C3209X20X20 | 1 1/4-11 1/2 | 1 1/4-11 1/2 | 63.2 [2.49] | 24.9 [.98] | 2 | 31.8 [1.25] |
| 2040-20-24S | C3209X24X20 | 1 1/4-11 1/2 | 1 1/2-11 1/2 | 63.5 [2.50] | 24.9 [.98] | 2 3/8 | 31.8 [1.25] |
| 2040-24-24S | C3209X24X24 | 1 1/2-11 1/2 | 1 1/2-11 1/2 | 64.3 [2.53] | 25.9 [1.02] | 2 3/8 | 38.1 [1.50] |
| 2040-32-32S | C3209X32X32 | 2-11 1/2 | 2-11 1/2 | 67.6 [2.66] | 26.4 [1.04] | 2 7/8 | 49.3 [1.94] |
| 2040-4-12S | C3209X12X4 | 1/4-18 | 3/4-14 | 44.2 [1.74] | 14.7 [.58] | 1 3/8 | 7.1 [.28] |
| 2040-24-32S | C3209X32X24 | 1 1/2-11 1/2 | 2-11 1/2 | 66.8 [2.63] | 25.9 [1.02] | 2 7/8 | 38.1 [1.50] |
| 2040-8-16S | C3209X16X8 | 1/2-14 | 1-11 1/2 | 53.1 [2.09] | 19.3 [.76] | 1 5/8 | 13.5 [.53] |
| 2040-2-8S | C3209X8X2 | 1/8-27 | 1/2-14 | 38.1 [1.50] | 10.2 [.40] | 1 1/8 | 4.8 [.19] |

| REVISIONS | | | |
|-----------|--|-----------------------|-------------|
| REV | DESCRIPTION | DATE | APPROVED |
| J | REDRAWN 1) ADDED PARTS #2040-4-12S & 2040-24-32S 2) ADDED WEATHEARHEAD PARTS | 2011-09-20 MBK/SRH | 0057866-ECO |
| K | 1) ADDED PARTS #2040-8-16S & 2040-2-8S 2) ADDED WEATHEARHEAD PARTS | 2011-11-01 MBK/SRH | 0063154-ECO |



2. MATERIAL: STEEL

1. DIMENSIONS ARE IN MILLIMETERS [INCH].

METRIC

| | |
|---|--|
| DRAWN M. KHEDEKAR CHECKED S. HASABE APPROVED Y. KULKARNI RELEASE DATE 2011-10-19 0057866-ECO | FLUID CONVEYANCE DIVISION DRAWING TITLE ADAPTER MALE PIPE TO FEMALE PIPE (SAE#140139) |
| THIRD ANGLE PROJECTION | SIZE A2 SCALE NONE DIST U CAGE CODE 01276 SHEET 1 |
| THE REPRODUCTION, DISTRIBUTION AND UTILIZATION OF THIS DOCUMENT AS WELL AS THE COMMUNICATION OF ITS CONTENTS TO OTHERS WITHOUT EXPLICIT AUTHORIZATION IS PROHIBITED. OFFENDERS WILL BE HELD LIABLE FOR THE PAYMENT OF DAMAGES. ALL RIGHT RESERVED IN THE EVENT OF THE GRANT OF A PATENT, UTILITY MODEL OR DESIGN. (PER ISO 16016) | |

② ①

REV. 1 K
SHEET 1
2040-S
DWG. NO.