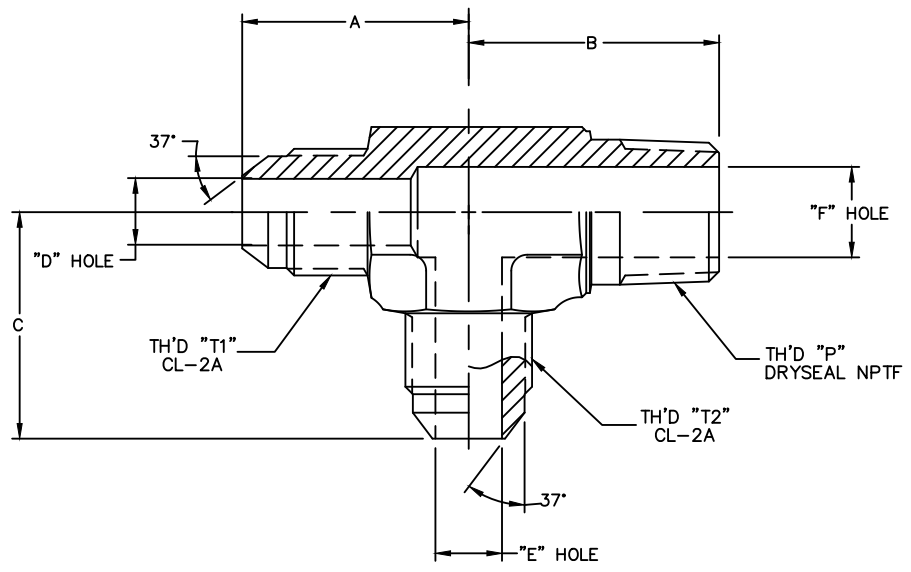


AEROQUIP PART NUMBER	WEATHERHEAD PART NUMBER	TH'D "P"	TH'D "T1"	TH'D "T2"	A REF	B REF	C REF	D REF	E REF	F REF
2028-2-3S	C5755X3	1/8-27	3/8-24	3/8-24	21.1[.83]	18.3[.72]	21.1[.83]	3 [.12]	3 [.12]	4.8[.19]
2028-2-4S	C5755X4	1/8-27	7/16-20	7/16-20	22.6[.89]	19.8[.78]	22.6[.89]	4.3[.17]	4.3[.17]	4.8[.19]
2028-4-4S	C5755X4X4X4	1/4-18	7/16-20	7/16-20	26.7[1.05]	27.7[1.09]	26.7[1.05]	4.3[.17]	4.3[.17]	7.1[.28]
2028-4-5S	C5755X5X4X5	1/4-18	1/2-20	1/2-20	26.7[1.05]	27.7[1.09]	26.7[1.05]	5.8[.23]	5.8[.23]	7.1[.28]
2028-4-6S	C5755X6	1/4-18	9/16-18	9/16-18	26.9[1.06]	27.7[1.09]	26.9[1.06]	7.6[.30]	7.6[.30]	7.1[.28]
2028-6-6S	C5755X6X6X6	3/8-18	9/16-18	9/16-18	29 [1.14]	31 [1.22]	29 [1.14]	7.6[.30]	7.6[.30]	10.4[.41]
2028-6-8S	C5755X8	3/8-18	3/4-16	3/4-16	31.8[1.25]	31 [1.22]	31.8[1.25]	9.9[.39]	9.9[.39]	10.4[.41]
2028-8-8S	C5755X8X8X8	1/2-14	3/4-16	3/4-16	33.8[1.33]	37.3[1.47]	33.8[1.33]	9.9[.39]	9.9[.39]	13.5[.53]
2028-8-10S	C5755X10	1/2-14	7/8-14	7/8-14	36.8[1.45]	37.3[1.47]	36.8[1.45]	12.2[.48]	12.2[.48]	13.5[.53]
2028-8-12S	C5755X12X8X12	1/2-14	1 1/16-12	1 1/16-12	42.2[1.66]	40.4[1.59]	42.2[1.66]	15.5[.61]	15.5[.61]	13.5[.53]
2028-12-10S	C5755X10X12X10	3/4-14	7/8-14	7/8-14	39.1[1.54]	40.4[1.59]	39.1[1.54]	12.2[.48]	12.2[.48]	18.3[.72]
2028-12-12S	C5755X12	3/4-14	1 1/16-12	1 1/16-12	42.2[1.66]	40.4[1.59]	42.2[1.66]	15.5[.61]	15.5[.61]	18.3[.72]
2028-16-16S	C5755X16	1-11 1/2	1 5/16-12	1 5/16-12	46 [1.81]	50 [1.97]	46 [1.81]	21.3[.84]	21.3[.84]	23.9[.94]
2028-20-20S	C5755X20	1 1/4-11 1/2	1 5/8-12	1 5/8-12	52.3[2.06]	60.5[2.38]	52.3[2.06]	27.4[1.08]	27.4[1.08]	27.4[1.08]
2028-24-24S	C5755X24	1 1/2-11 1/2	1 7/8-12	1 7/8-12	59.2[2.33]	67.1[2.64]	59.2[2.33]	33.3[1.31]	33.3[1.31]	38.1[1.50]
2028-32-32S	C5755X32	2-11 1/2	2 1/2-12	2 1/2-12	77.7[3.06]	76.2[3.00]	77.7[3.06]	45.2[1.78]	45.2[1.78]	49.3[1.94]

REVISIONS			
REV	DESCRIPTION	DATE	APPROVED
BP	REDRAWN. UPDATED TO DANFOSS FORMAT & DIMENSION STYLE. 1) ADDED WEATHERHEAD PART NUMBERS.	2008-10-08 DHS/ADN	0022619 -ECO DP-1299
BR	1) REMOVED '2028-2-5S' PART NUMBER. 2) ADDED '2028-20-20S' & '2028-32-32S' PART NUMBERS. 3) "C5755X6X6X6" WAS "C5755X6X6"	2009-11-25 SPB/AAP	0037403 -ECO
BS	1) "F" DIM WAS 31.8 [1.25] FOR 2028-20-20S PART.	2013-08-27 SJM	0088600 -ECO



2. MATERIAL : STEEL.  
1. DIMENSIONS ARE IN MILLIMETERS [INCH].

DRAWN D. SHEWALE	FLUID CONVEYANCE DIVISION		
CHECKED A. NAGARKATTI	DRAWING TITLE		
APPROVED A. NAGARKATTI	ADAPTER		
RELEASE DATE 2008-10-08	SAE 37° FLARE - MALE RUN TEE		
0022619-ECO	(SAE #070424)		
DP-1299	SIZE A2	DRAWING NUMBER 2028-S	REV BS
THIRD ANGLE PROJECTION	SCALE NONE	DIST U	CAGE CODE 01276
		SHEET 2	

THE REPRODUCTION, DISTRIBUTION AND UTILIZATION OF THIS DOCUMENT AS WELL AS THE COMMUNICATION OF ITS CONTENTS TO OTHERS WITHOUT EXPLICIT AUTHORIZATION IS PROHIBITED. OFFENDERS WILL BE HELD LIABLE FOR THE PAYMENT OF DAMAGES. ALL RIGHT RESERVED IN THE EVENT OF THE GRANT OF A PATENT, UTILITY MODEL OR DESIGN. (PER ISO 16016)

REV. BS  
SHEET 2  
2028-S  
DWG. NO.