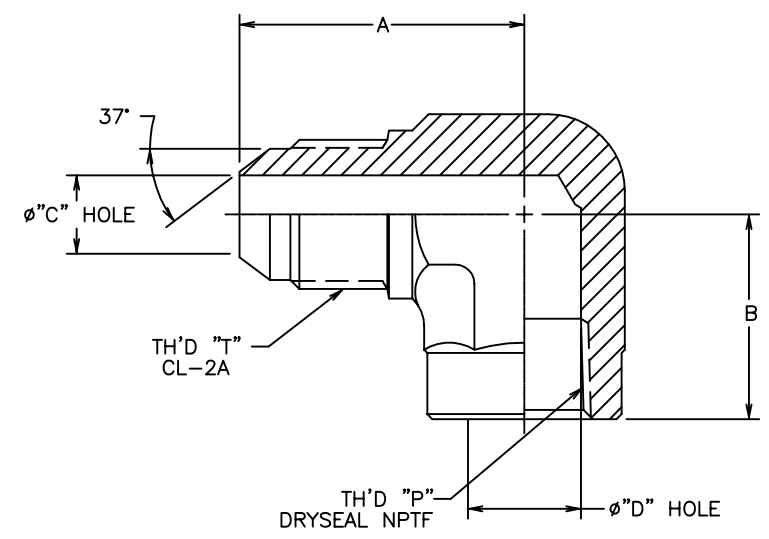


PART NUMBER	WEATHERHEAD PART NUMBER	TH'D "P"	TH'D "T"	A REF	B REF	C REF	D REF
2025-2-4S	C5455X4	1/8-27	7/16-20	27.4 [1.08]	16.8 [.66]	4.3 [.17]	7.4 [.29]
2025-2-5S	C5455X5	1/8-27	1/2-20	27.4 [1.08]	16.8 [.66]	5.8 [.23]	7.4 [.29]
2025-2-6S	C5455X6X2	1/8-27	9/16-18	31.2 [1.23]	17 [.67]	7.6 [.30]	7.4 [.29]
2025-4-4S	C5455X4X4	1/4-18	7/16-20	31 [1.22]	22.4 [.88]	4.3 [.17]	9.9 [.39]
2025-4-5S	C5455X5X4	1/4-18	1/2-20	31 [1.22]	22.4 [.88]	5.8 [.23]	9.9 [.39]
2025-4-6S	C5455X6	1/4-18	9/16-18	31.2 [1.23]	22.4 [.88]	7.6 [.30]	9.9 [.39]
2025-4-8S	C5455X8X4	1/4-18	3/4-16	36.1 [1.42]	25.7 [1.01]	9.9 [.39]	9.9 [.39]
2025-6-4S	C5455X4X6	3/8-18	7/16-20	32.8 [1.29]	25.9 [1.02]	4.3 [.17]	13.5 [.53]
2025-6-5S	C5455X5X6	3/8-18	1/2-20	32.8 [1.29]	25.9 [1.02]	5.8 [.23]	13.5 [.53]
2025-6-6S	C5455X6X6	3/8-18	9/16-18	33.3 [1.31]	25.9 [1.02]	7.6 [.30]	13.5 [.53]
2025-6-8S	C5455X8	3/8-18	3/4-16	36.1 [1.42]	25.9 [1.02]	9.9 [.39]	13.5 [.53]
2025-8-4S	C5455X4X8	1/2-14	7/16-20	35.6 [1.40]	31.2 [1.23]	4.3 [.17]	16.5 [.65]
2025-8-5S	C5455X5X8	1/2-14	1/2-20	35.6 [1.40]	31.2 [1.23]	5.8 [.23]	16.5 [.65]
2025-8-8S	C5455X8X8	1/2-14	3/4-16	38.6 [1.52]	31.2 [1.23]	9.9 [.39]	16.5 [.65]
2025-8-10S	C5455X10	1/2-14	7/8-14	41.7 [1.64]	31.2 [1.23]	12.2 [.48]	16.5 [.65]
2025-8-12S	C5455X12X8	1/2-14	1 1/16-12	48 [1.89]	34.3 [1.35]	15.5 [.61]	16.5 [.65]
2025-10-12S	C5455X12X10	3/4-14	7/8-14	45.2 [1.78]	34.5 [1.36]	12.2 [.48]	21.6 [.85]
2025-12-12S	C5455X12	3/4-14	1 1/16-12	48 [1.89]	34.5 [1.36]	15.5 [.61]	21.6 [.85]
2025-16-16S	C5455X16	1-11 1/2	1 5/16-12	55.1 [2.17]	41.1 [1.62]	21.3 [.84]	26.9 [1.06]
2025-20-20S	C5455X20	1 1/4-11 1/2	1 5/8-12	59.2 [2.33]	43.2 [1.70]	27.4 [1.08]	35.6 [1.40]
2025-24-24S	C5455X24	1 1/2-11 1/2	1 7/8-12	73.4 [2.89]	52.8 [2.08]	33.3 [1.31]	41.7 [1.64]
2025-32-32S	C5455X32	2-11 1/2	2 1/2-2	83.8 [3.30]	60.7 [2.39]	45.2 [1.78]	55.9 [2.20]

REVISIONS			
REV	DESCRIPTION	DATE	APPROVED
BH	REDRAWN, UPDATED TO EATON FORMAT & DIMENSION STYLE. (1) ADDED PART #2025-10-12S.	2011-08-17 VMS/DHS	0054198-ECO



2. DIMENSIONS ARE IN MILLIMETERS [INCHES].
1. MATERIAL: STEEL.

DRAWN V. SURWASE	 INDUSTRIAL SECTOR HYDRAULICS GROUP, FLUID CONVEYANCE PRODUCTS, MAUMEE, OHIO U.S.A.	DRAWING TITLE	
CHECKED D. SHEWALE		ADAPTER	
APPROVED M. TALWALKAR		SAE 37° FLARE - 90° FEMALE ELBOW (SAE #070203)	
RELEASE DATE 2011-08-17 0054198-ECO			
THIRD ANGLE PROJECTION	SIZE A2	DRAWING NUMBER 2025-S	REV BH
	SCALE NONE	DIST U	CAGE CODE 01276
		SHEET 2	

CONFIDENTIAL AND PROPRIETARY NOTICE TO PERSONS RECEIVING THIS DRAWING AND/OR TECHNICAL INFORMATION: This document, including the drawings and information contained therein, is confidential and is the exclusive property of Eaton Corporation. It is to be used only for the purposes intended by Eaton and shall not be disclosed, copied, reproduced, or otherwise used in any manner without the written consent of Eaton. In the case of a contract, the terms and conditions of such contract shall govern. © 2011 Eaton Corporation. All Rights Reserved.

REV. BH
SH. 2
2025-S
DWG. NO.

