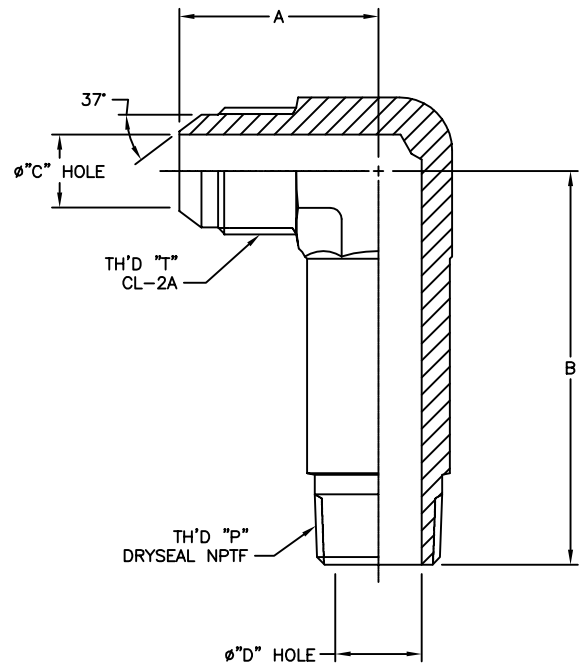


AEROQUIP PART NUMBER	WEATHERHEAD PART NUMBER	TH'D "P"	TH'D "T"	A REF	B REF	C REF	D REF
202413-2-4S	C5435X4	1/8-27	7/16-20	22.6[.89]	39.6[1.56]	4.3[.17]	4.8[.19]
202413-2-5S	C5435X5	1/8-27	1/2-20	24.1[.95]	41.4[1.63]	5.8[.23]	4.8[.19]
202413-4-4S	C5435X4X4	1/4-18	7/16-20	26.7[1.05]	52.6[2.07]	4.3[.17]	7.1[.28]
202413-4-5S	C5435X5X4	1/4-18	1/2-20	26.7[1.05]	52.6[2.07]	5.8[.23]	7.1[.28]
202413-4-6S	C5435X6	1/4-18	9/16-18	26.9[1.06]	52.6[2.07]	7.6[.30]	7.1[.28]
202413-6-6S	C5435X6X6	3/8-18	9/16-18	29[1.14]	61.5[2.42]	7.6[.30]	10.4[.41]
202413-6-8S	C5435X8	3/8-18	3/4-16	31.8[1.25]	61.5[2.42]	9.9[.39]	10.4[.41]
202413-8-8S	C5435X8X8	1/2-14	3/4-16	33.8[1.33]	72.9[2.87]	9.9[.39]	13.5[.53]
202413-8-10S	C5435X10	1/2-14	7/8-14	36.8[1.45]	72.9[2.87]	12.2[.48]	13.5[.53]
202413-8-12S	C5435X12X8	1/2-14	1 1/16-12	42.2[1.66]	83.3[3.28]	15.5[.61]	13.5[.53]
202413-12-12S	C5435X12	3/4-14	1 1/16-12	42.2[1.66]	83.3[3.28]	15.5[.61]	18.3[.72]
202413-12-16S	C5435X16X12	3/4-14	1 5/16-12	46[1.81]	98[3.86]	21.3[.84]	18.3[.72]
202413-16-16S	C5435X16	1-11 1/2	1 5/16-12	46[1.81]	102.9[4.05]	21.3[.84]	23.9[.94]
202413-20-20S	C5435X20	1 1/4-11 1/2	1 5/8-12	52.3[2.06]	127[5.00]	27.4[1.08]	31.8[1.25]

REVISIONS			
REV	DESCRIPTION	DATE	APPROVED
AL	REDRAWN AND UPDATED TO EATON FORMAT AND DIMENSION STYLE. 1) ADDED PART 202413-20-20S. 2) ADDED WEATHERHEAD PARTS.	2009-12-30 ADM/ADN	0038473-ECO

AL
2

AL
1



METRIC

2. MATERIAL: STEEL
1. DIMENSIONS ARE IN MILLIMETERS [INCHES].

DRAWN A. MHASKE		EATON HYDRAULICS OPERATIONS TECHNICAL CENTER MAUMEE, OHIO, U.S.A.	
CHECKED A. NAGARKATTI			
APPROVED A. NAGARKATTI		DRAWING TITLE ADAPTER	
RELEASE DATE 2009-12-30		SAE 37° FLARE - 90° MALE EXTRA LONG ELBOW (SAE #071602)	
0038473-ECO		SIZE A2	DRAWING NUMBER 202413-S
THIRD ANGLE PROJECTION		SCALE NONE	DIST U
		CAGE CODE 01276	SHEET 2
<small>CONFIDENTIAL AND PROPRIETARY NOTICE TO PERSONS RECEIVING THIS DRAWING AND/OR TECHNICAL INFORMATION: THE CONTENTS HEREIN ARE THE PROPERTY OF EATON CORPORATION AND ARE NOT TO BE REPRODUCED, COPIED, OR TRANSMITTED IN ANY FORM OR BY ANY MEANS, ELECTRONIC OR MECHANICAL, INCLUDING PHOTOCOPYING, RECORDING, OR BY ANY INFORMATION STORAGE AND RETRIEVAL SYSTEM, WITHOUT THE WRITTEN PERMISSION OF EATON CORPORATION. THIS DRAWING IS THE PROPERTY OF EATON CORPORATION AND IS NOT TO BE REPRODUCED, COPIED, OR TRANSMITTED IN ANY FORM OR BY ANY MEANS, ELECTRONIC OR MECHANICAL, INCLUDING PHOTOCOPYING, RECORDING, OR BY ANY INFORMATION STORAGE AND RETRIEVAL SYSTEM, WITHOUT THE WRITTEN PERMISSION OF EATON CORPORATION.</small>			

REV. AL
SHEET 2
DWG. NO. 202413-S