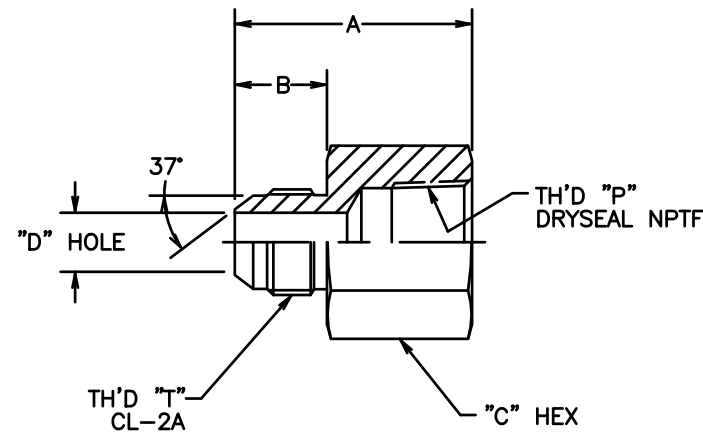


EATON PART NUMBER	TH'D "P"	TH'D "T"	A REF	B REF	C REF	D REF
2022-2-4B	1/8-27	7/16-20	1.19	.55	.56	.17
2022-2-5B	1/8-27	1/2-20	1.17	.55	.56	.23
2022-4-4B	1/4-18	7/16-20	1.39	.55	.75	.17
2022-4-5B	1/4-18	1/2-20	1.39	.55	.75	.23
2022-4-6B	1/4-18	9/16-18	1.40	.56	.75	.30
2022-4-8B	1/4-18	3/4-16	1.55	.66	.81	.39
2022-6-6B	3/8-18	9/16-18	1.46	.56	.88	.30
2022-6-8B	3/8-18	3/4-16	1.56	.66	.88	.39
2022-8-8B	1/2-14	3/4-16	1.79	.66	1.12	.39
2022-8-10B	1/2-14	7/8-14	1.89	.76	1.12	.48
2022-12-12B	3/4-14	1 1/16-12	2.06	.86	1.38	.61
2022-16-16B	1-11 1/2	1 5/16-12	2.35	.91	1.62	.84
2022-24-24B	1 1/2-11 1/2	1 7/8-12	2.62	1.08	2.38	1.31
2022-40-40B	2 1/2-8	3-12	3.25	1.11	3.12	2.31

REVISIONS			
REV.	DESCRIPTION	DATE	APPROVED
AG	REDRAWN - LAST REV "AF" UPDATED DIMENSIONS TO AGREE WITH DETAIL DRAWINGS	9-1-93	EN-F14210 DAI-17511
AH	(1) ADDED 2022-4-5B AND FF2022-8-8B	2004-02-06 KH	EN-F25426 DP-1299

Ⓜ
1



REV. AH
SH.
2022-B
DWG. NO.

DRAWN M BEARDMORE	EATON HYDRAULICS OPERATIONS TECHNICAL CENTER MAUMEE, OHIO, U.S.A.		
CHECKED R D GARRETT	DRAWING TITLE ADAPTER SAE 37° FLARE - FEMALE CONNECTOR (SAE #070103)		
APPROVED R D GARRETT	SIZE A2	DRAWING NUMBER 2022-B	REV AH
RELEASE DATE 9-1-93	SCALE DIST U CAGE CODE 01276 SHEET *		
EN-F14210	NOTICE TO PERSONS RECEIVING THIS DRAWING AND / OR TECHNICAL INFORMATION: Eaton Corporation claims proprietary rights in the information disclosed hereon. This document is issued in confidence and is not to be reproduced or used to manufacture anything shown hereon without the written permission of the Eaton Corporation.		
DAI-17511			

1. MATERIAL: BRASS.