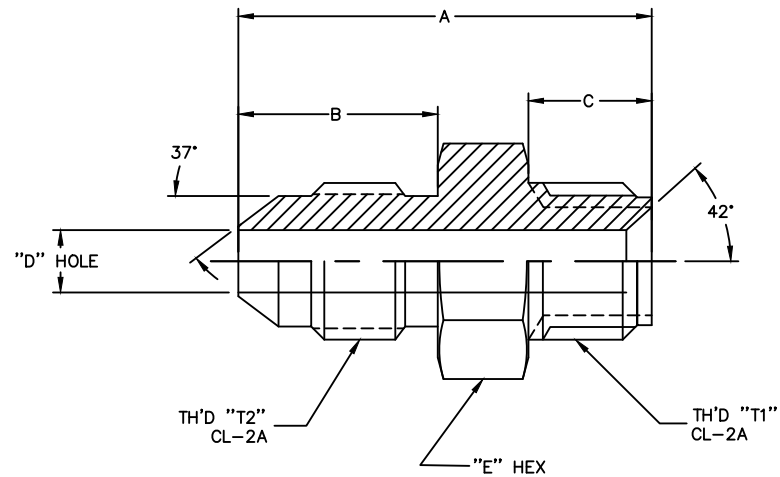


WEATHERHEAD PART NUMBER	PART NUMBER	TH'D 'T1'	TH'D 'T2'	A REF	B REF	C REF	D REF	E REF
C5880X3	202124-3-3S	3/8-24	3/8-24	27.2 [1.07]	12.2 [.48]	8.6 [.34]	3 [.12]	9/16
C5880X4X3	202124-3-4S	3/8-24	7/16-20	29 [1.14]	14 [.55]	8.6 [.34]	4.3 [.17]	9/16
C5880X3X4	202124-4-3S	7/16-24	3/8-24	27.2 [1.07]	12.2 [.48]	8.6 [.34]	3 [.12]	9/16
C5880X4	202124-4-4S	7/16-24	7/16-20	29 [1.14]	14 [.55]	8.6 [.34]	4.3 [.17]	9/16
C5880X4X5	202124-5-4S	1/2-20	7/16-20	29.5 [1.16]	14 [.55]	9.7 [.38]	4.3 [.17]	9/16
C5880X5	202124-5-5S	1/2-20	1/2-20	29 [1.14]	14 [.55]	9.7 [.38]	5.8 [.23]	9/16
C5880X6X5	202124-5-6S	1/2-20	9/16-18	30.2 [1.19]	14.2 [.56]	9.7 [.38]	6.4 [.25]	5/8
C5880X6	202124-6-6S	5/8-18	9/16-18	31 [1.22]	14.2 [.56]	10.4 [.41]	7.6 [.30]	11/16
C5880X6X7	202124-7-6S	11/16-18	9/16-18	33.3 [1.31]	14.2 [.56]	12.7 [.50]	7.6 [.30]	11/16
C5880X8	202124-8-8S	3/4-18	3/4-16	37.1 [1.46]	16.8 [.66]	12.7 [.50]	9.9 [.39]	13/16

REVISIONS			
REV	DESCRIPTION	DATE	APPROVED
J	REDRAWN. UPDATED TO DANFOSS FORMAT AND DIMENSION STYLE. 1) ADDED PART NUMBER 202124-8-8S. 2) ADDED EQUIVALENT WEATHERHEAD PART NUMBERS.	2011-12-06 ONJ/PSW	0064293-ECO

①/2



METRIC

2. MATERIAL: STEEL.

1. DIMENSIONS ARE IN MILLIMETERS [INCH].

DRAWN O. JADHAV	<b>Danfoss</b> FLUID CONVEYANCE DIVISION		
CHECKED P. WARUDKAR	DRAWING TITLE		
APPROVED Y. KULKARNI	ADAPTER		
RELEASE DATE 2011-12-06	SAE 37° MALE FLARE TO		
0064293-ECO	SAE MALE INVERTED FLARE		
THIRD ANGLE PROJECTION	SIZE A2	DRAWING NUMBER 202124	REV J
	SCALE NONE	DIST U	CAGE CODE 01276
		SHEET 1	
THE REPRODUCTION, DISTRIBUTION AND UTILIZATION OF THIS DOCUMENT AS WELL AS THE COMMUNICATION OF ITS CONTENTS TO OTHERS WITHOUT EXPLICIT AUTHORIZATION IS PROHIBITED. OFFENDERS WILL BE HELD LIABLE FOR THE PAYMENT OF DAMAGES. ALL RIGHT RESERVED IN THE EVENT OF THE GRANT OF A PATENT, UTILITY MODEL OR DESIGN. (PER ISO 16016)			

REV. J  
SH. 1  
DWG. NO. 202124