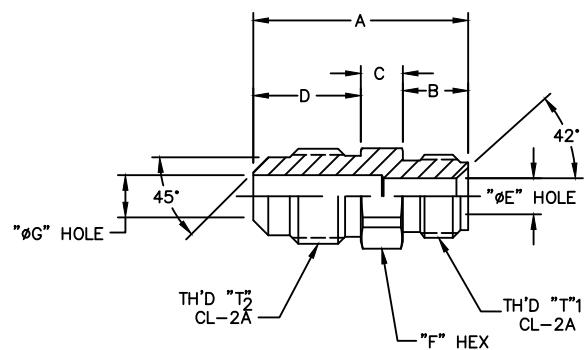


AEROQUIP PART NUMBER	WEATHERHEAD PART NUMBER	TH'D "T" ₁	TH'D "T" ₂	A REF	B REF	C REF	D REF	E REF	F REF		G REF
									ST'D	OPT	
200001-3-4B	1518	3/8-24	7/16-20	26.2 [1.03]	8.6 [.34]	4.8 [.19]	12.7 [.50]	4.8 [.19]	7/16	--	4.8 [.19]
200001-4-4B	1522	7/16-24	7/16-20	26.2 [1.03]	8.6 [.34]	4.8 [.19]	12.7 [.50]	4.8 [.19]	7/16	--	4.8 [.19]
200001-4-5B	--	7/16-24	1/2-20	28.4 [1.12]	8.6 [.34]	5.6 [.22]	14.2 [.56]	4.8 [.19]	1/2	9/16	5.6 [.22]
200001-4-6B	--	7/16-24	5/8-18	30.7 [1.21]	8.6 [.34]	6.4 [.25]	15.7 [.62]	4.8 [.19]	5/8	--	7.1 [.28]
200001-5-4B	--	1/2-20	7/16-20	28 [1.10]	9.7 [.38]	5.6 [.22]	12.7 [.50]	6.4 [.25]	1/2	9/16	4.8 [.19]
200001-5-5B	--	1/2-20	1/2-20	29.5 [1.16]	9.7 [.38]	5.6 [.22]	14.2 [.56]	5.6 [.22]	1/2	9/16	5.6 [.22]
200001-5-6B	1553	1/2-20	5/8-18	31.8 [1.25]	9.7 [.38]	6.4 [.25]	15.7 [.62]	6.4 [.25]	5/8	11/16	6.4 [.25]
200001-6-5B	--	5/8-18	1/2-20	31 [1.22]	10.4 [.41]	6.4 [.25]	14.2 [.56]	7.9 [.31]	5/8	11/16	5.6 [.22]
200001-6-6B	1563	5/8-18	5/8-18	32.5 [1.28]	10.4 [.41]	6.4 [.25]	15.7 [.62]	7.1 [.28]	5/8	--	7.1 [.28]
200001-7-6B	1554	11/16-18	5/8-18	36.3 [1.43]	12.7 [.50]	7.9 [.31]	15.7 [.62]	9.7 [.38]	3/4	--	7.1 [.28]
200001-7-8B	--	11/16-18	3/4-16	39.6 [1.56]	12.7 [.50]	7.9 [.31]	19.1 [.75]	9.7 [.38]	13/16	--	9.7 [.38]
200001-8-6B	--	3/4-18	5/8-18	36.3 [1.43]	12.7 [.50]	7.9 [.31]	15.7 [.62]	11.2 [.44]	13/16	--	7.1 [.28]
200001-8-8B	--	3/4-18	3/4-16	39.6 [1.56]	12.7 [.50]	7.9 [.31]	19.1 [.75]	10.4 [.41]	3/4	13/16	10.4 [.41]
200001-10-10B	--	7/8-18	7/8-14	44.7 [1.76]	12.7 [.50]	9.7 [.38]	22.4 [.88]	12.7 [.50]	7/8	15/16	12.7 [.50]
200001-12-12B	--	1 1/16-16	1 1/16-14	52.1 [2.05]	15.5 [.61]	11.2 [.44]	25.4 [1.00]	16 [.63]	1 1/16	1 1/8	16 [.63]

ⓕ 1 ⓕ 2 ⓕ 9
ⓕ 2 ⓕ 9

REVISIONS			
REV	DESCRIPTION	DATE	APPROVED
E	REDRAWN, UPDATED TO DANFOSS FORMAT & DIMENSION STYLE. 1) ADDED WEATHERHEAD PART # 1554, 1563 & 1553.	2011-08-29 ADM/PSW	0057962-ECO
F	1) ADDED PART # 200001-3-4B 2) ADDED EQUIVALENT WEATHERHEAD CATLOG PART # 1522 & 1518	2012-04-19 MBK/PSW	0068524-ECO
G	1) "A" WAS 27.7 [1.09], "C" WAS 6.4 [.25], REMOVED "F" OPT. IT WAS 1/2 2) "A" WAS 27.7 [1.09], "C" WAS 6.4 [.25] REMOVED "F" OPT. IT WAS 1/2	2012-07-03 SBM/	0072125-ECO

ⓕ 1



METRIC

2. MATERIAL: BRASS.
1. DIMENSIONS ARE IN MILLIMETERS [INCHES].

DRAWN A. MHASKE	Danfoss FLUID CONVEYANCE DIVISION		
CHECKED P. WARUDKAR	DRAWING TITLE		
APPROVED Y. KULKARNI	ADAPTER		
RELEASE DATE 2011-08-29	SAE MALE INVERTED FLARE TO		
0057962-ECO	SAE 45° MALE FLARE		
THIRD ANGLE PROJECTION	SIZE A2	DRAWING NUMBER 200001-B	REV G
SCALE -	DIST U	CAGE CODE 01276	SHEET 1
THE REPRODUCTION, DISTRIBUTION AND UTILIZATION OF THIS DOCUMENT AS WELL AS THE COMMUNICATION OF ITS CONTENTS TO OTHERS WITHOUT EXPLICIT AUTHORIZATION IS PROHIBITED. OFFENDERS WILL BE HELD LIABLE FOR THE PAYMENT OF DAMAGES. ALL RIGHT RESERVED IN THE EVENT OF THE GRANT OF A PATENT, UTILITY MODEL OR DESIGN. (PER ISO 16016)			

DWG. NO. 200001-B
REV. 1 G