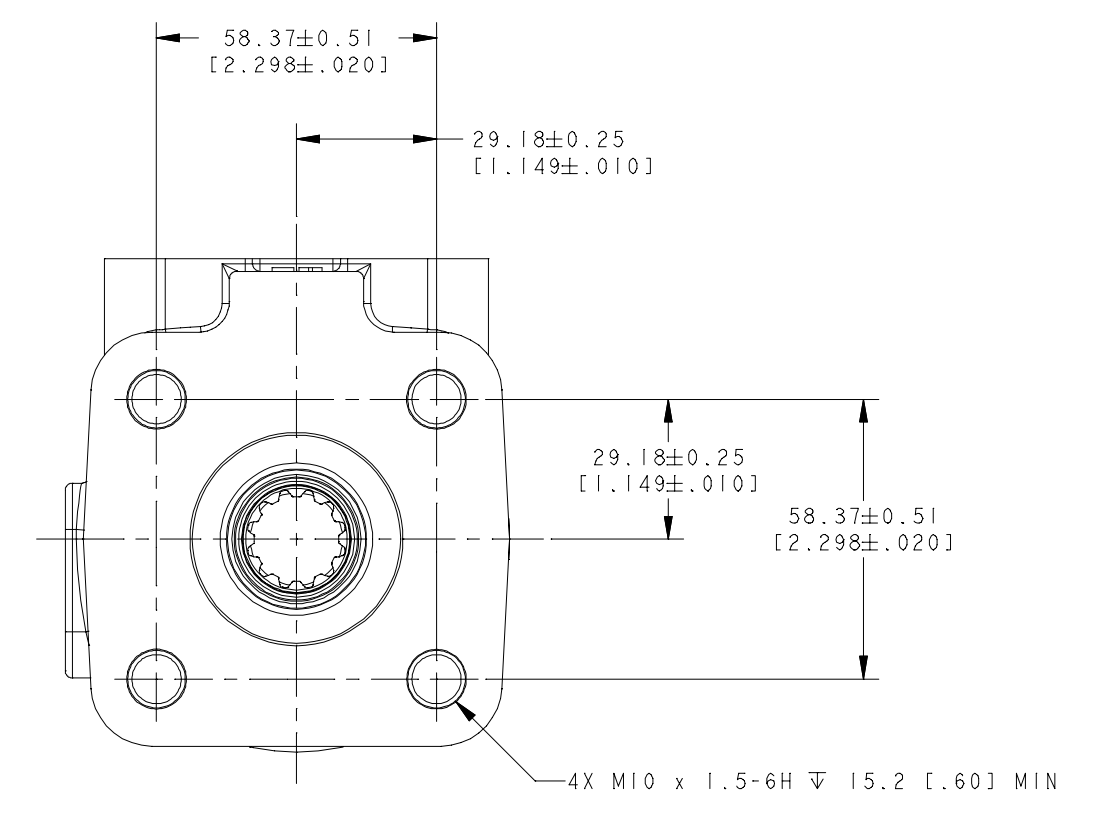
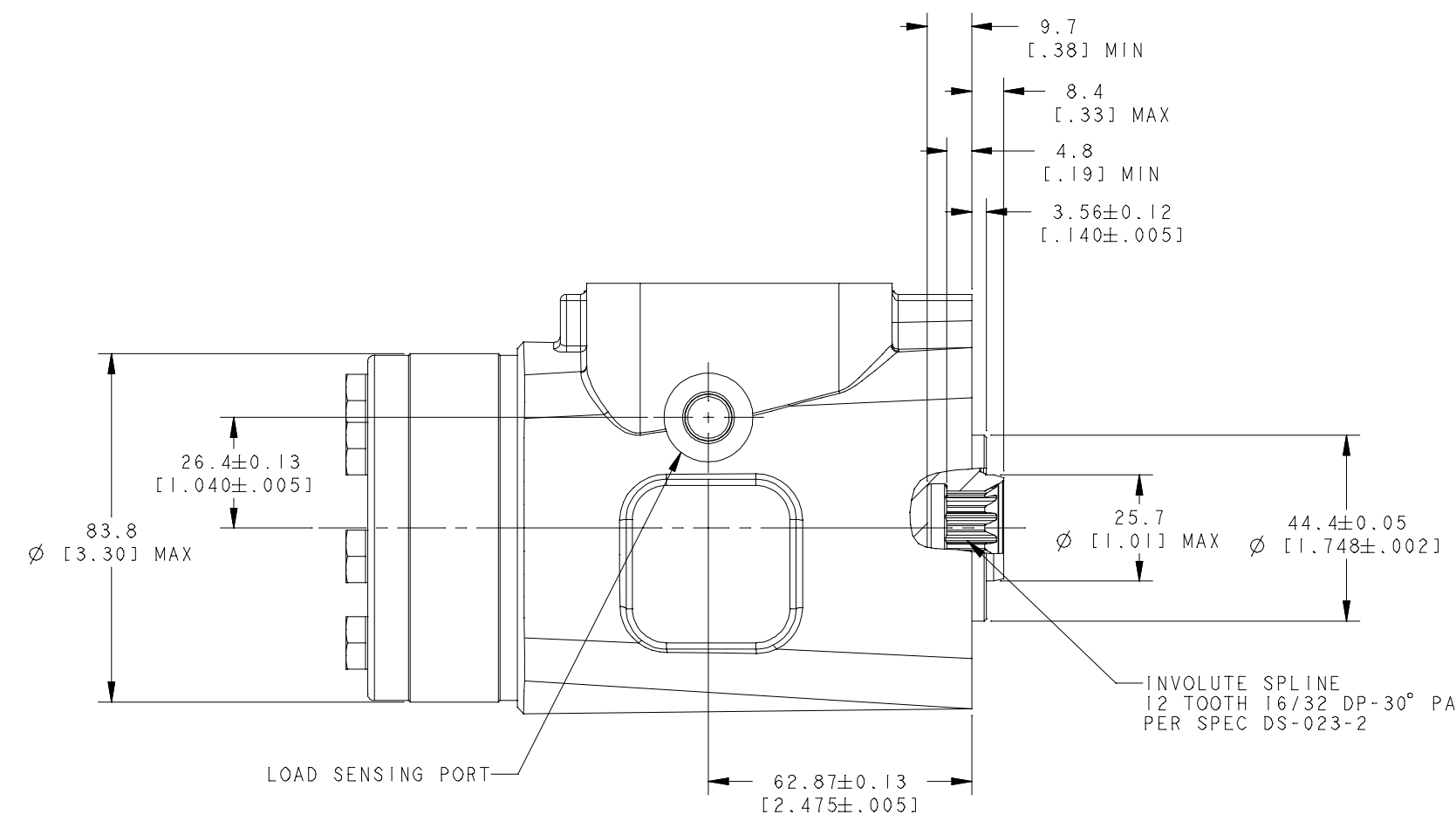
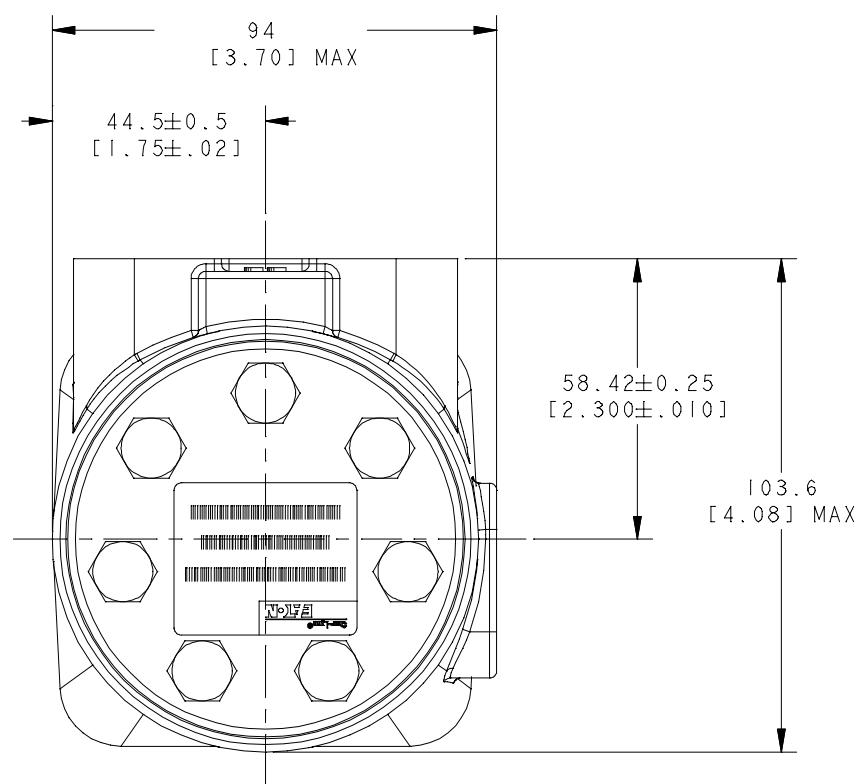
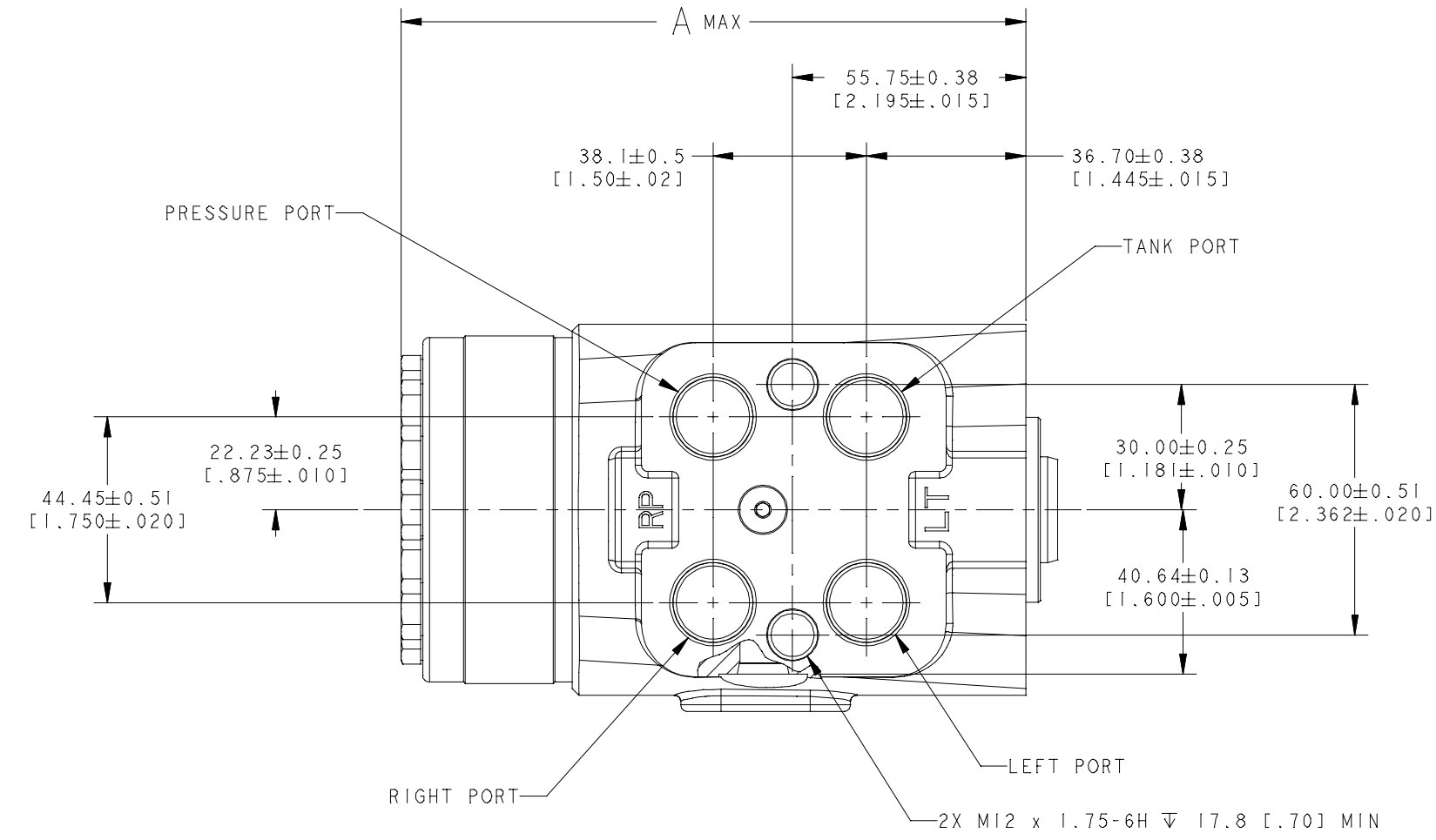


DISPLACEMENT		A MAX
CODE	cm <sup>3</sup> /r [in <sup>3</sup> /r]	
40	58.7 [3.58]	138.7 [5.46]
43	73.8 [4.50]	138.7 [5.46]
45	96 [5.86]	141.7 [5.58]
48	120 [7.33]	145 [5.71]
50	146 [8.90]	148.6 [5.85]
51	159 [9.73]	150.4 [5.92]
52	185 [11.3]	153.9 [6.06]
54	231 [14.1]	160.3 [6.31]
57	293 [17.9]	168.9 [6.65]
58	328 [20.0]	173.5 [6.83]
59	370 [22.6]	179.3 [7.06]
61	462 [28.2]	192 [7.56]
64	588 [35.9]	209.3 [8.24]
66	739 [45.1]	230.1 [9.06]

REV	DESCRIPTION	BY	CHK	DATE	ECN / MPS
A	ENGINEERING RELEASE	LMD	LMD	12-5-01	39726



GMR  
DISTRIBUTION CODE(S)

UNLESS OTHERWISE SPECIFIED ALL DIMENSIONS ARE IN: INCHES <input type="checkbox"/> MILLIMETERS <input type="checkbox"/>	DRAWING BASED ON ANSI Y14.5M-1982	
	NOTICE TO PERSONS RECEIVING THIS DRAWING AND / OR TECHNICAL INFORMATION Eaton Corporation claims proprietary rights in the information disclosed hereon. This document is issued in confidence and is not to be reproduced or used to manufacture anything shown hereon without the written permission of the Eaton Corporation.	
TOLERANCES	DRAWN	MATERIAL/HEAT TREAT
.X ± ---	LMD	
.XX ± ---	1-21-02	
.XXX ± ---	CHECKED	
< ± ---	1-21-01	
UNSPECIFIED RADII ARE:	ENGRG	TITLE
---	JEB	STEERING CONTROL UNIT INSTALLATION
---	1-23-02	
UNSPECIFIED DRAFT ANGLES ARE:	METALLOGR	NUMBER
---	---	A-1372-004
THIRD ANGLE PROJECTION <input checked="" type="checkbox"/>	SCALE	SHEET
DO NOT SCALE	1/1	1 OF 1