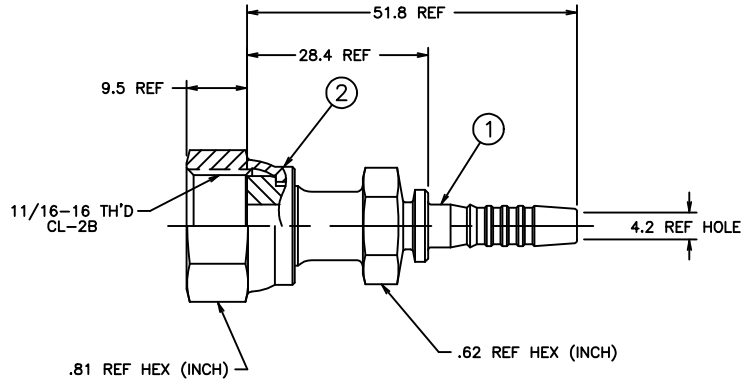


THE REPRODUCTION, DISTRIBUTION AND UTILIZATION OF THIS DOCUMENT AS WELL AS THE COMMUNICATION OF ITS CONTENTS TO OTHERS WITHOUT EXPRESS AUTHORIZATION IS PROHIBITED. OFFENDERS WILL BE HELD LIABLE FOR THE PAYMENT OF DAMAGES. ALL RIGHTS RESERVED IN THE EVENT OF THE GRANT OF A PATENT, UTILITY MODEL OR DESIGN. (PER ISO 18016)

REVISIONS			
REV	DESCRIPTION	DATE	APPROVED
D	REDRAWN - SUPERSEDES 1SA_FR_SHEET 1/2 REV. C FOR 1SA6FR4	10-25-95	EN-F16048 DP-24900



51.8	2.04
28.4	1.12
9.5	.37
4.2	.17
MM	INCH

CONVERSION

METRIC

CONVERTED DRAWING CADAM to AutoCAD 18/98

DWG. NO. 1SA6FR4 SH. REV. D

1SA6FR4	1F40010A0604-S	FC1473-06S			
AEROQUIP PART NUMBER	① NIPPLE	② NUT			
LIST OF MATERIALS					
ITEM NO.	MATERIAL	DRAWN R.D.GARRETT	<i>Garrett</i> FLUID CONVEYANCE DIVISION		
1	STEEL	CHECKED M.MOLINA			
2	STEEL	APPROVED R.D.GARRETT	DRAWING TITLE NIPPLE ASSEMBLY ORS FEMALE SWIVEL, 2781 HOSE		
		RELEASE DATE 10-26-95			
		EN-F16048 DP-24900	SIZE C	DRAWING NUMBER 1SA6FR4	REV D
		THIRD ANGLE PROJECTION	SCALE 2/1	DIST U	CAGE CODE 01276
					SHEET NO

1. CRIMP NUT PER ACES 2409P1.