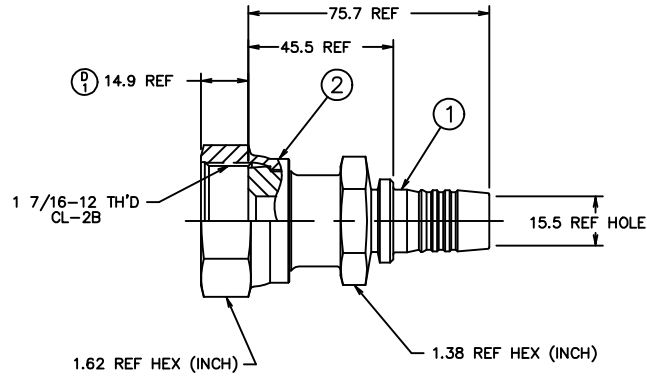


THE REPRODUCTION, DISTRIBUTION AND UTILIZATION OF THIS DOCUMENT AS WELL AS THE COMMUNICATION OF ITS CONTENTS TO OTHERS WITHOUT EXPRESS AUTHORIZATION IS PROHIBITED. OFFENDERS WILL BE HELD LIABLE FOR THE PAYMENT OF DAMAGES. ALL RIGHTS RESERVED IN THE EVENT OF THE GRANT OF A PATENT, UTILITY MODEL OR DESIGN. (PER ISO 16016)

REVISIONS			
REV	DESCRIPTION	DATE	APPROVED
D	REDRAWN - SUPERSEDES 1SA_FR_SHEET 1/2 REV. "C" FOR 1SA16FR12 (1) WAS 14.8 REF	10-25-95	EN-F16048 DP-24900



75.7	2.98
45.5	1.79
15.5	.61
14.9	.59
MM	INCH

CONVERSION

METRIC

CONVERTED DRAWING CADAM to AutoCAD 18/98

1. CRIMP NUT PER ACES 2409P1.

1SA16FR12	1F40010A1612-S	FC1473-16S				
AEROQUIP PART NUMBER	① NIPPLE	② NUT				
LIST OF MATERIALS						
ITEM NO.	MATERIAL	DRAWN R.D.GARRETT	FLUID CONVEYANCE DIVISION			
1	STEEL	CHECKED M.MOLINA				
2	STEEL	APPROVED R.D.GARRETT	DRAWING TITLE NIPPLE ASSEMBLY ORS FEMALE SWIVEL, 2781 HOSE			
		RELEASE DATE 10-26-95				
		EN-F16048 DP-24900	SIZE C	DRAWING NUMBER 1SA16FR12	REV D	
			SCALE 1/1	DIST U	CAGE CODE 01276	SHEET NO

DWG. NO. 1SA16FR12 SH. REV. D