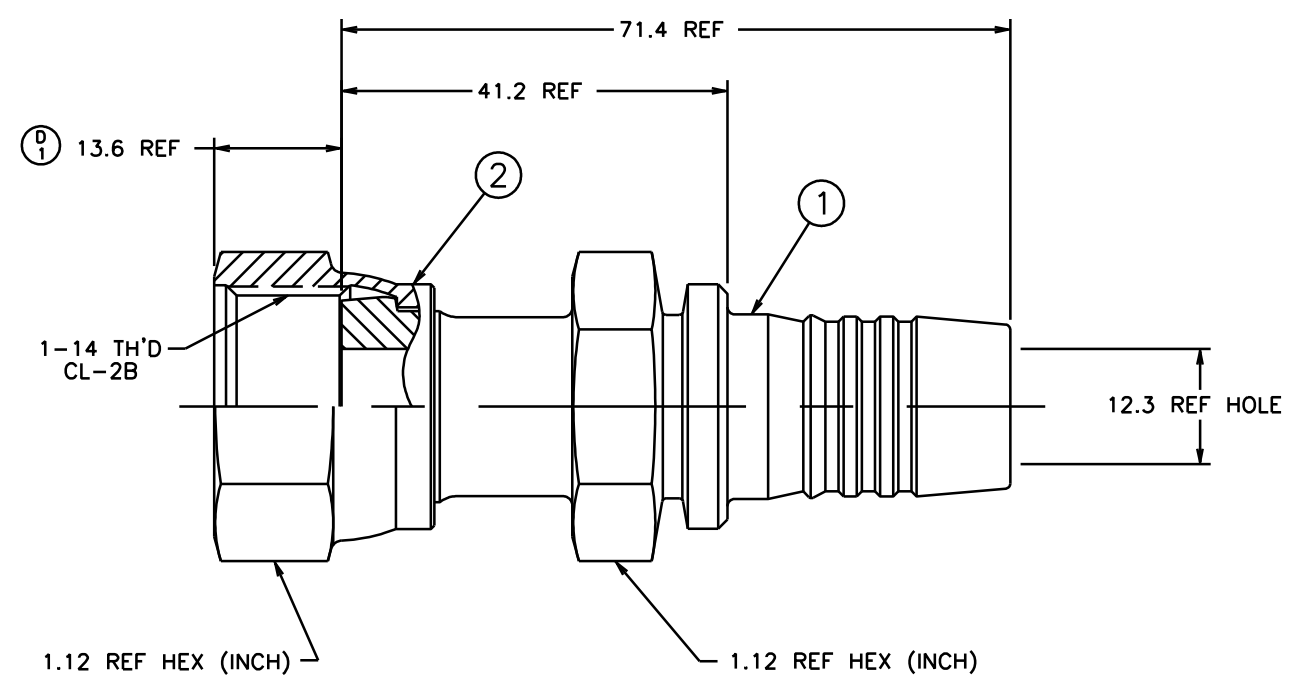


REVISIONS			
REV	DESCRIPTION	DATE	APPROVED
D	REDRAWN - SUPERSEDES 1SA_FR_SHEET 1/2 REV. "C" FOR 1SA10FR12 (1) WAS 13.5 REF	10-25-95	EN-F16048 DP-24900



71.4	2.81
41.2	1.62
13.6	.54
12.3	.48
MM	INCH

CONVERSION

METRIC

CONVERTED DRAWING CADAM to AutoCAD 8/98

1. CRIMP NUT PER ACES 2409P1.

1SA10FR12	1F40010A1012-S	FC1473-10S			
AEROQUIP PART NUMBER	① NIPPLE	② NUT			
LIST OF MATERIALS					
ITEM NO.	MATERIAL	DRAWN	Aeroquip A TRIMOVIA Company AEROQUIP CORPORATION Industrial Products Group Mournee, Ohio, U.S.A.		
1	STEEL	R.D.GARRETT	DRAWING TITLE NIPPLE ASSEMBLY ORS FEMALE SWIVEL, 2781 HOSE		
2	STEEL	M.MOLINA			
		APPROVED R.D.GARRETT	SIZE C	DRAWING NUMBER 1SA10FR12	REV D
		RELEASE DATE 10-26-95	SCALE 2/1	DIST U	CAGE CODE 01276
		EN-F16048 DP-24900	SHEET NO		
		THIRD ANGLE PROJECTION			

DWG. NO. 1SA10FR12 SH. REV. D