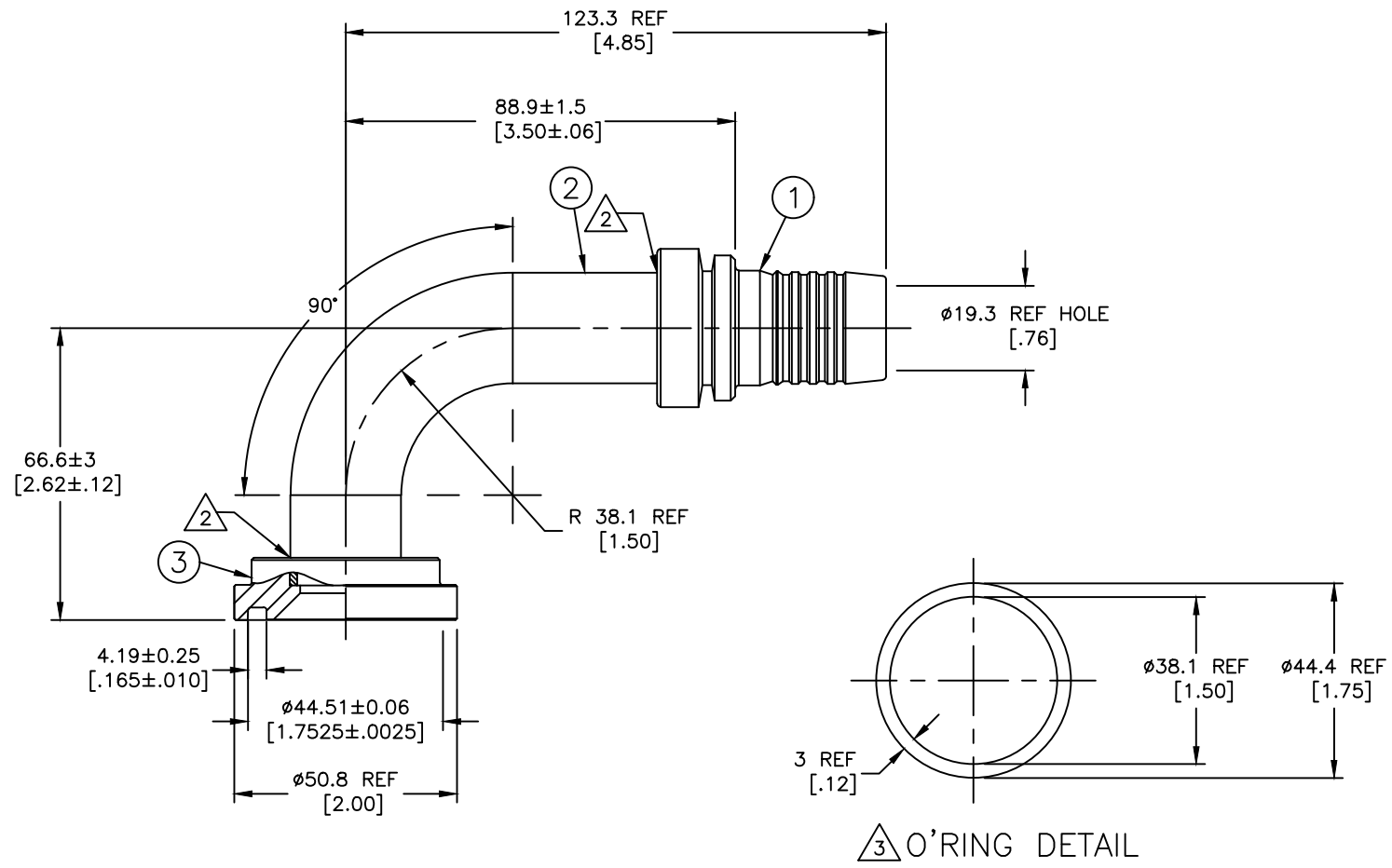


REVISIONS			
REV	DESCRIPTION	DATE	APPROVED
H	REDRAWN - REDESIGNED (1) ADDED INCH DIMENSIONS AND NOTE #4. (2) ADDED ALTERNATE CONSTRUCTION.	2002-05-15	EN-F22889 DP-1299
J	1) FINISH WAS "ZINC PLATE PER ES 2751"	2020-01-28 KSD	CO-0199074 A-2020/7572



METRIC

- 5. ALTERNATIVE CONSTRUCTION. (H/2)
- 4. DIMENSIONS ARE IN MILLIMETERS [INCHES]. (H/1)
- 3. O-RING SHOWN FOR REFERENCE ONLY: SUPPLIED BUT NOT FURNISHED WITH ASSEMBLY.
- 2. BRAZE PER ACES 2814.
- 1. ZINC PLATE PER 2751DB. (1/1)

5	1S20FLB16	1F90001-2516AR	19.020-25.42	17.007-25-20	
	1S20FLB16	1F40014-1616AB	1F40034-16-01AB	4624-20-16S	
	AEROQUIP PART NUMBER	(1) NIPPLE	(2) ELBOW	(3) SHOULDER	

LIST OF MATERIALS

ITEM NO.	MATERIAL
1	STEEL
2	STEEL
3	STEEL

DRAWN W.R.HYDE CHECKED B.THOMAS APPROVED B.THOMAS RELEASE DATE 2002-05-21 EN-F22889 DP-1299 THIRD ANGLE PROJECTION	FLUID CONVEYANCE DIVISION DRAWING TITLE NIPPLE ASSEMBLY 90°, SPLIT FLANGE TYPE (CODE 61), 2781 HOSE
SIZE A2 SCALE 1/1 DIST U CAGE CODE 01276 SHEET	DRAWING NUMBER 1S20FLB16 REV J

THE REPRODUCTION, DISTRIBUTION AND UTILIZATION OF THIS DOCUMENT, AS WELL AS THE COMMUNICATION OF ITS CONTENTS TO OTHERS WITHOUT EXPLICIT AUTHORIZATION IS PROHIBITED. OFFENDERS WILL BE HELD LIABLE FOR THE PAYMENT OF DAMAGES. ALL RIGHTS RESERVED IN THE EVENT OF THE GRANT OF A PATENT, UTILITY MODEL OR DESIGN. (PER ISO 18016)