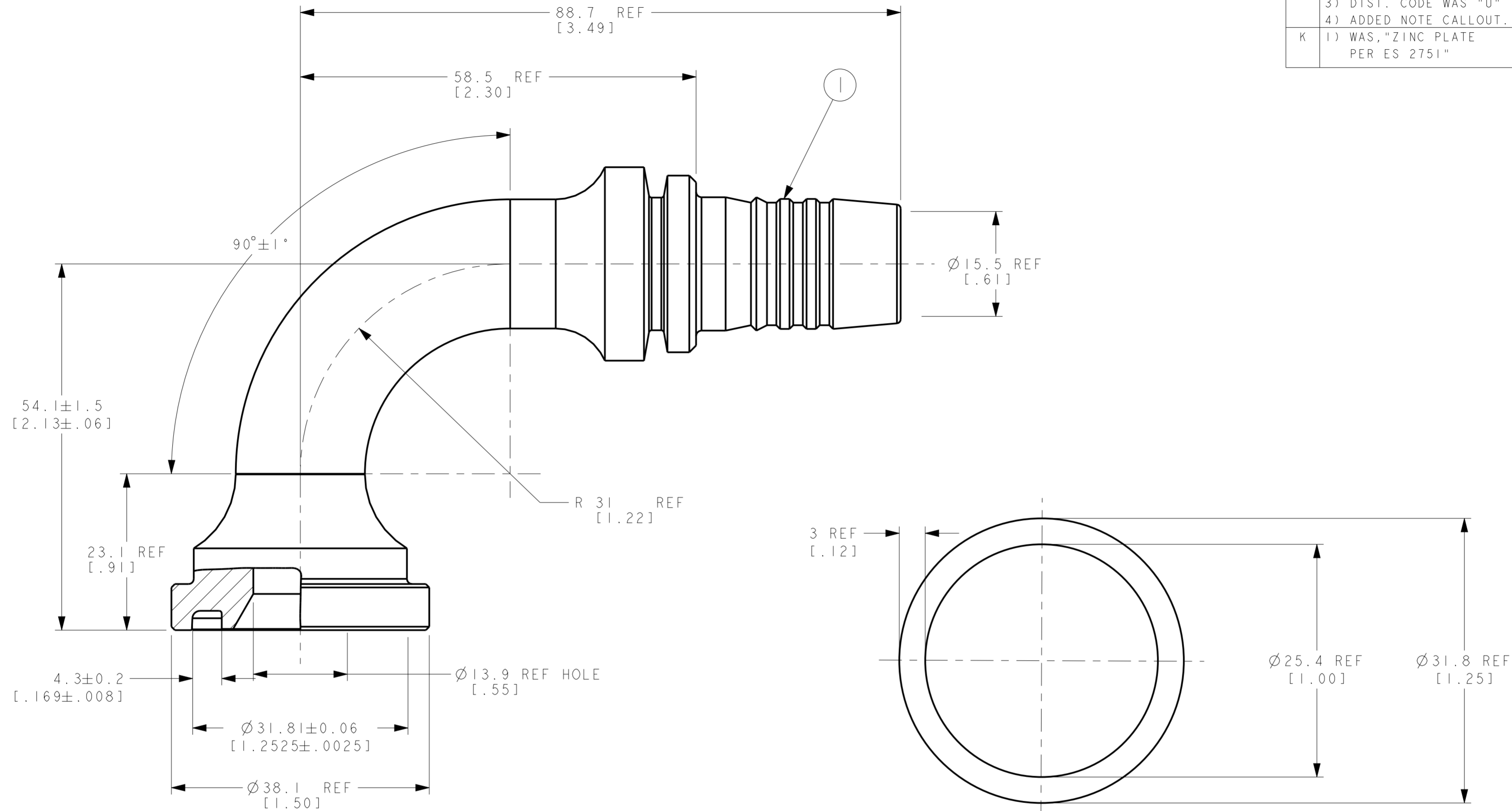


REVISIONS			
REV	DESCRIPTION	DATE	APPROVED
J	REDRAWN 1) ADDED PART #ISI2FLB12AH. 2) ADDED NOTE #4. 3) DIST. CODE WAS "U" 4) ADDED NOTE CALLOUT.	2013-02-18 NUD/PSW	0081743-ECO N-2013/6057
K	1) WAS, "ZINC PLATE PER ES 2751"	2020-07-17 PAI	CO-0205751



3 O-RING DETAIL

METRIC

4 PROCESS AS FOLLOWS: (J/2)
a) BEND NIPPLE TO DIMENSIONS SHOWN.
b) ZINC NICKEL PLATE PER ES 4352.

3 O-RING SHOWN FOR REFERENCE ONLY. SUPPLIED BUT NOT FURNISHED WITH ASSEMBLY.

2 PROCESS AS FOLLOWS: (J/4)
a) BEND NIPPLE TO DIMENSIONS SHOWN.
b) ZINC PLATE PER ES 2751D8. (K/1)

1. DIMENSIONS ARE IN MILLIMETERS [INCHES].

(J/1)	4	ISI2FLB12AH	IF40041-1212AB				
	2	ISI2FLB12	IF40041-1212AB				
		PART NUMBER	(1) NIPPLE				

LIST OF MATERIALS

ITEM NO.	MATERIAL	DRAWN	DRAWING TITLE	
I	STEEL	N. DHUMAL	90°, SPLIT FLANGE TYPE (CODE 61) 2781 HOSE	
		CHECKED	SIZE	DRAWING NUMBER
		P. WARUDKAR	A2	ISI2FLB12
		APPROVED	SCALE	DIST
			2/1	R
		RELEASE DATE	CAGE CODE	SHEET
		2013-02-18	01276	1
		0081743-ECO		
		N-2013/6057		
		THIRD ANGLE PROJECTION		

FLUID CONVEYANCE DIVISION
DRAWING TITLE
NIPPLE ASSEMBLY
90°, SPLIT FLANGE TYPE (CODE 61)
2781 HOSE
SIZE A2
SCALE 2/1
DIST R
CAGE CODE 01276
SHEET 1

THE REPRODUCTION, DISTRIBUTION AND UTILIZATION OF THIS DOCUMENT AS WELL AS THE COMMUNICATION OF ITS CONTENTS TO OTHERS WITHOUT EXPLICIT AUTHORIZATION IS PROHIBITED. OFFENDERS WILL BE HELD LIABLE FOR THE PAYMENT OF DAMAGES. ALL RIGHTS RESERVED IN THE EVENT OF THE GRANT OF A PATENT, UTILITY MODEL OR DESIGN. (PER ISO 16016)