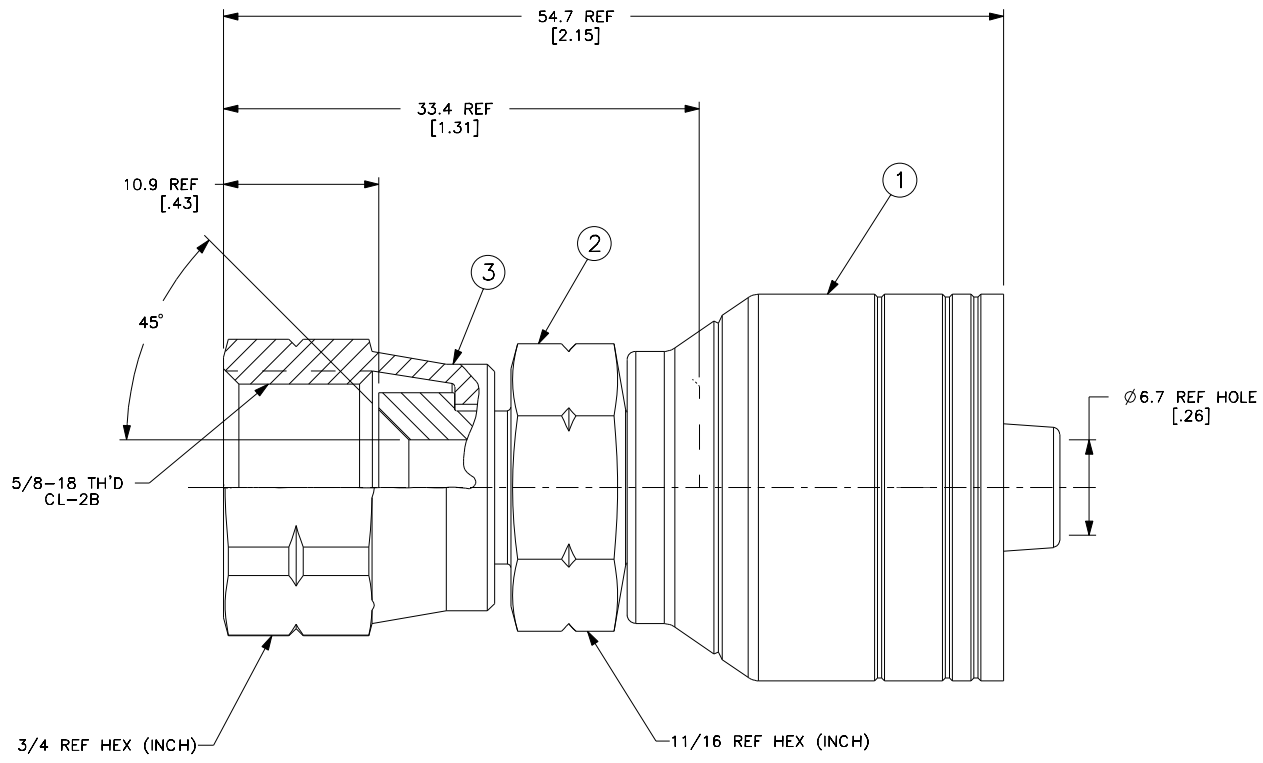


REVISIONS			
REV	DESCRIPTION	DATE	APPROVED
H	REDRAWN ON PRO-E, UPDATED TO LATEST FORMAT AND DIMENSION STYLE. 1) ADDED WEATHERHEAD PART NUMBER. 2) WAS "GH663/GH793 HOSE".	2007-10-29 DDP/ADN	0007762-ECO DP-1693



METRIC

3. DIMENSIONS ARE IN MILLIMETERS [INCHES].
2. 1SA6FS6 NIPPLE ASSEMBLY MAY BE SUBSTITUTED FOR ITEMS #2 AND #3.
1. PROCESS AS FOLLOWS:  
 (a) CRIMP NUT PER ES 2409P3.  
 (b) ASSEMBLE SOCKET PER ACES 2813.

06Z-406	1AA6FS6	1A6	1F40001A0606-S	210224-6S
WEATHERHEAD PART NUMBER	AEROQUIP PART NUMBER	① SOCKET	② NIPPLE	③ NUT

LIST OF MATERIALS		DRAWING INFORMATION	
ITEM NO.	MATERIAL	DRAWN	FLUID CONVEYANCE DIVISION DRAWING TITLE <b>FITTING ASSEMBLY</b> SAE 45° SWIVEL 1 AND 2 WIRE BRAIDED HOSE
1	STEEL	D. POL	
2	STEEL	A. NAGARKATTI	
3	STEEL	A. NAGARKATTI	
		APPROVED	2007-10-29
		RELEASE DATE	0007762-ECO
		DP-1693	0007762-ECO
		THIRD ANGLE PROJECTION	SIZE A2
		SCALE 4/1	DIST U
		CAGE CODE 01276	SHEET 1

REV. H  
SH. 1  
1AA6FS6  
DWG. NO.

THE REPRODUCTION, DISTRIBUTION AND UTILIZATION OF THIS DOCUMENT AS WELL AS THE COMMUNICATION OF ITS CONTENTS TO OTHERS WITHOUT EXPLICIT AUTHORIZATION IS PROHIBITED. OFFENDERS WILL BE HELD LIABLE FOR THE PAYMENT OF DAMAGES. ALL RIGHT RESERVED IN THE EVENT OF THE GRANT OF A PATENT, UTILITY MODEL OR DESIGN. (PDS 800 16016)