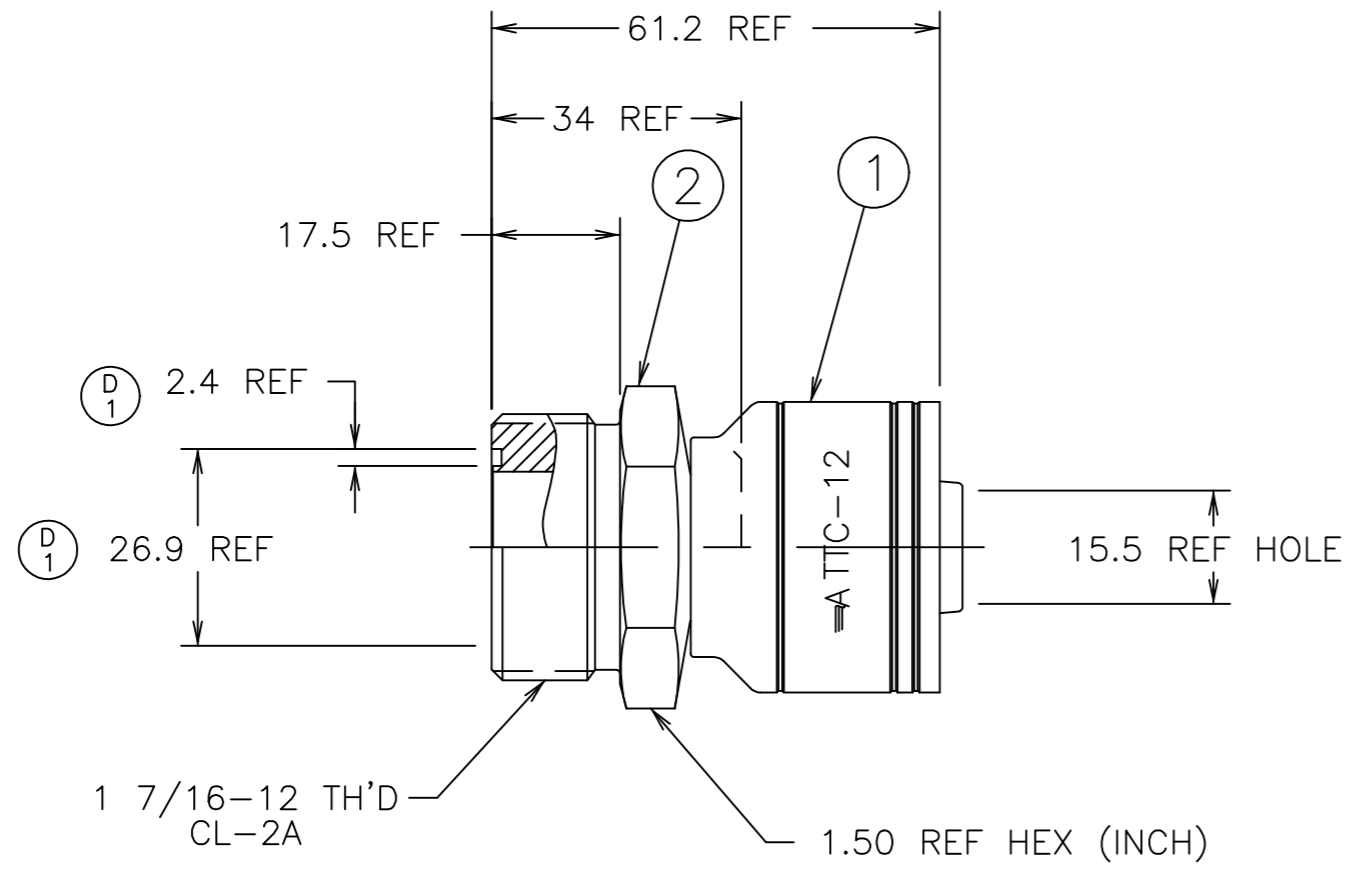


THE REPRODUCTION, DISTRIBUTION AND UTILIZATION OF THIS DOCUMENT AS WELL AS THE COMMUNICATION OF ITS CONTENTS TO OTHER WITHOUT EXPLICIT AUTHORIZATION IS PROHIBITED. OFFENDERS WILL BE HELD LIABLE FOR THE PAYMENT OF DAMAGES. ALL RIGHT RESERVED IN THE EVENT OF THE GRANT OF A PATENT, UTILITY MODEL OR DESIGN. (PER ISO 16016)

| REVISIONS | | | |
|-----------|--|--------|--------------------|
| REV | DESCRIPTION | DATE | APPROVED |
| D | REDRAWN - SUPERSEDES 1AA_MR_ REV."C" FOR 1AA16MR12 (1)ADDED DIMENSIONS | 4-4-95 | EN-F15597 DP-24900 |



| | |
|------|------|
| 61.2 | 2.41 |
| 34 | 1.34 |
| 26.9 | 1.06 |
| 17.5 | .69 |
| 15.5 | .61 |
| 2.4 | .09 |
| MM | INCH |

CONVERSION

METRIC

CONVERTED DRAWING CADAM to AutoCAD 8/98

DWC.NO. 1AA16MR12 SH. REV. D

1. ASSEMBLE SOCKET PER ACES 2813.

| 1AA16MR12 | 1A12 | 1SA16MR12 | | | |
|----------------------|----------|------------------------|----------------------------|----------------|-----------|
| AEROQUIP PART NUMBER | ① SOCKET | ② NIPPLE | | | |
| LIST OF MATERIALS | | | | | |
| ITEM NO. | MATERIAL | DRAWN | FLUID CONVEYANCE DIVISION | | |
| 1 | STEEL | R.D.GARRETT | | | |
| 2 | STEEL | R.D.GARRETT | | | |
| | | CHECKED | DRAWING TITLE | | |
| | | R.D.GARRETT | FITTING ASSEMBLY | | |
| | | APPROVED | ORS MALE, GH663/GH793 HOSE | | |
| | | R.D.GARRETT | SIZE | DRAWING NUMBER | REV |
| | | RELEASE DATE | C | 1AA16MR12 | D |
| | | 4-4-95 | THIRD ANGLE PROJECTION | | |
| | | EN-F15597 | SCALE | DIST | CAGE CODE |
| | | DP-24900 | 1/1 | U | 01276 |
| | | THIRD ANGLE PROJECTION | SHEET NO | | |