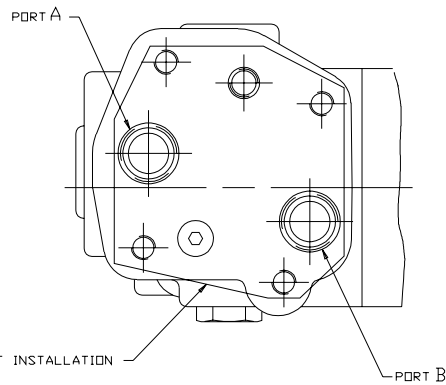
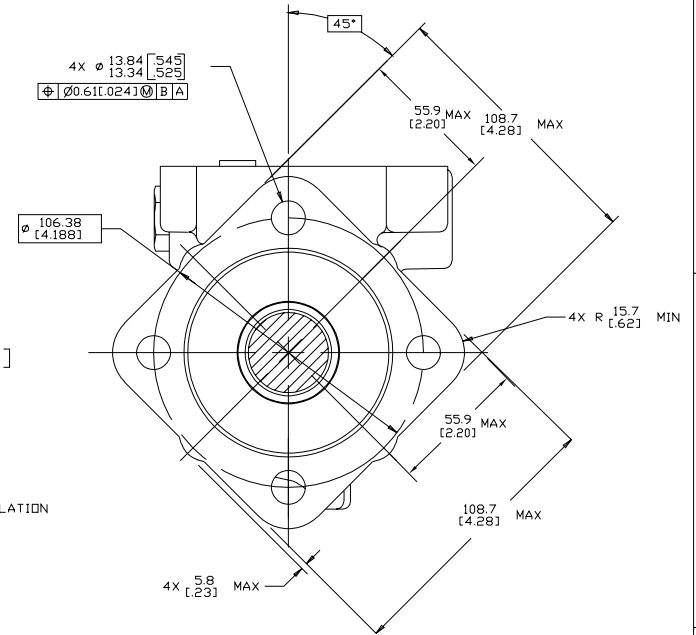
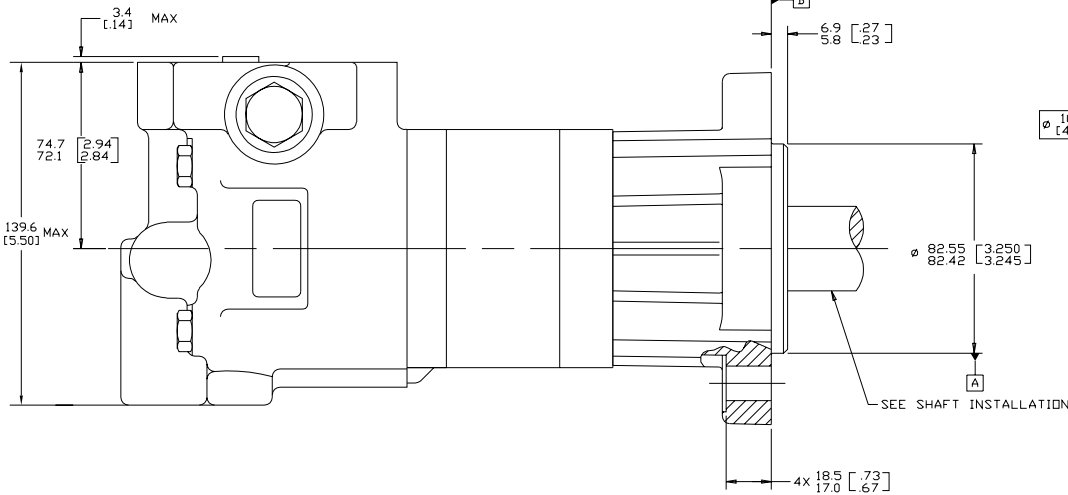
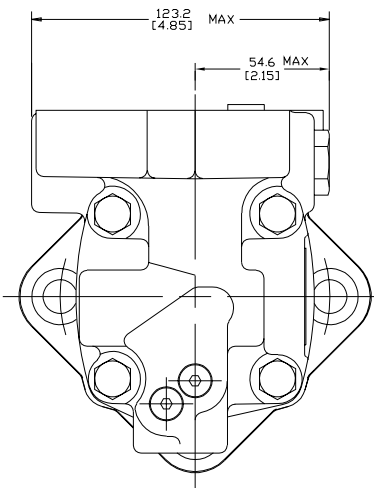


SYM	REVISION	BY	DATE	ECN
A	ENGINEERING RELEASE	RAF	11/23/93	24603
B	[1A] DOCUMENT NUMBER WAS A-669-003	RAF	3/8/94	25246
C	REVISED	MJZ	6-12-96	27921
D	[6C] WAS 3.1[12] MAX	SSD	2-12-11	0030114
F	-1) REVISED DIMENSIONS AS PER STACK-UP -2) (5A) NOTE 2 WAS MOUNTING TYPE: H... -3) (6B) (7B) REVISED PICTORIALY (REMOVED RIVETS)	NRI	10-21-13	M90778



SEE PORT INSTALLATION



NOTE

- ROTATION:  
STANDARD: WHEN FACING SHAFT END OF MOTOR, SHAFT TO ROTATE;  
CLOCKWISE WHEN PORT "A" IS PRESSURIZED  
COUNTERCLOCKWISE WHEN PORT "B" IS PRESSURIZED  
  
REVERSE: WHEN FACING SHAFT END OF MOTOR, SHAFT TO ROTATE;  
CLOCKWISE WHEN PORT "B" IS PRESSURIZED  
COUNTERCLOCKWISE WHEN PORT "A" IS PRESSURIZED
- MOUNTING TYPE: AH  
STANDARD, 4 BOLT:  $\phi$  82.6 [3.25] PILOT  
 $\phi$  13.59 [0.535] HOLES ON  $\phi$  106.4 [4.191] BOLT CIRCLE

**REVIEWED FOR CLASSIFICATION PER ESP-042**

UNLESS OTHERWISE SPECIFIED ALL DIMENSIONS ARE IN		DRAWING BASED ON ASME Y14.5-2009	
INCHES <input type="checkbox"/>	MILLIMETERS <input checked="" type="checkbox"/>	THE REPRODUCTION, DISTRIBUTION AND UTILIZATION OF THIS DOCUMENT, AS WELL AS THE COMMUNICATION OF ITS CONTENTS TO OTHERS WITHOUT EXPRESS AUTHORIZATION IS PROHIBITED. OFFENDERS WILL BE HELD LIABLE FOR THE PAYMENT OF DAMAGES. ALL RIGHTS RESERVED IN THE EVENT OF THE GRANT OF A PATENT, UTILITY MODEL, OR DESIGN (PER ISO 10101).	
TOLERANCES			
x = REF	DRAWN BY/DATE: RAF 8/10/93	MATERIAL/HEAT TREAT	
xxx = ONLY	CHECKED BY/DATE: AGJ 2/14/94	TITLE: 2000 SERIES - TWO SPEED MOTOR INSTALLATION	
UNSPECIFIED DIMS ARE	FINISH: MLB 2/16/94	NUMBER: A-669-006	
UNSPECIFIED DRAFT ANGLES ARE	METALLPROF	THIRD ANGLE PROJECTION	
D SIZE	DD NOT SCALE	SCALE: 1/1 SHEET 1 OF 1	