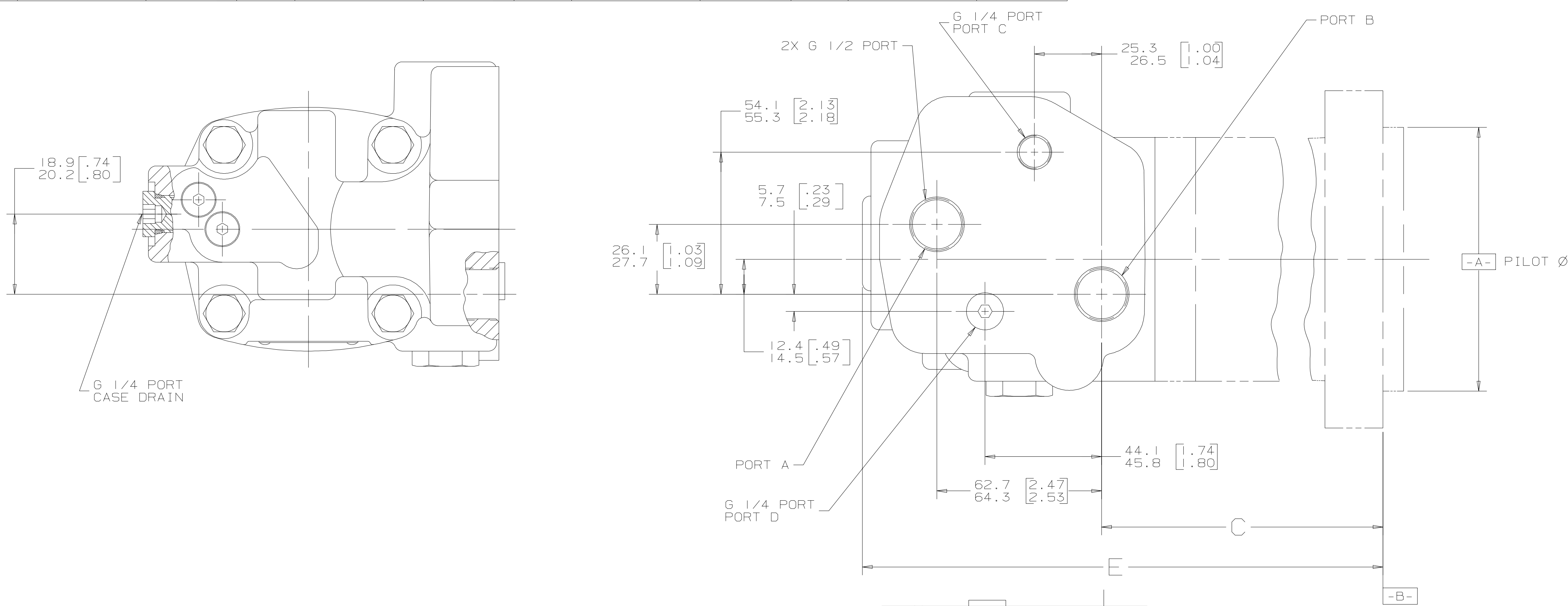


8 MOUNTING TYPE AC, AH, AU, AF			7 MOUNTING TYPE AG			6 MOUNTING TYPE AJ			5 MOUNTING TYPE AE			4 MOUNTING TYPE AZ		
DISP	C	E MAX	DISP	C	E MAX	DISP	C	E MAX	DISP	C	E MAX	DISP	C	E MAX
049	136.6-138.2 [5.38-5.44]	231.7 [9.12]	049	124.7-126.3 [4.91-4.97]	219.8 [8.65]	049	140.2-142.3 [5.52-5.60]	235.8 [9.28]	049	78.2-80.3 [3.08-3.16]	173.8 [6.84]	049	91.8-94.0 [3.62-3.70]	187.4 [7.38]
062	141.3-142.9 [5.56-5.63]	236.4 [9.31]	062	129.3-131.0 [5.09-5.16]	224.4 [8.84]	062	144.8-147.0 [5.70-5.79]	240.4 [9.47]	062	82.9-85.0 [3.26-3.35]	178.5 [7.03]	062	96.5-98.6 [3.80-3.88]	192.1 [7.56]
080	147.7-149.3 [5.82-5.88]	242.8 [9.56]	080	135.8-137.4 [5.35-5.41]	230.9 [9.09]	080	151.3-153.4 [5.96-6.04]	246.9 [9.72]	080	89.3-91.4 [3.52-3.60]	184.9 [7.28]	080	102.9-105.0 [4.05-4.14]	198.5 [7.82]
096	147.7-149.3 [5.82-5.88]	242.8 [9.56]	096	135.8-137.4 [5.35-5.41]	230.9 [9.09]	096	151.3-153.4 [5.96-6.04]	246.9 [9.72]	096	89.3-91.4 [3.52-3.60]	184.9 [7.28]	096	102.9-105.0 [4.05-4.14]	198.5 [7.82]
119	154.4-156.1 [6.08-6.14]	249.5 [9.82]	119	142.5-144.1 [5.61-5.67]	237.6 [9.35]	119	158.0-160.1 [6.22-6.30]	253.6 [9.98]	119	96.0-98.1 [3.78-3.86]	191.6 [7.54]	119	109.6-111.8 [4.32-4.40]	205.2 [8.08]
149	163.5-165.1 [6.44-6.50]	258.6 [10.18]	149	151.5-153.2 [5.97-6.03]	246.6 [9.71]	149	167.0-169.2 [6.58-6.66]	262.6 [10.34]	149	105.1-107.2 [4.14-4.22]	200.7 [7.90]	149	118.7-120.8 [4.67-4.76]	214.3 [8.44]
187	174.8-176.5 [6.88-6.95]	270.0 [10.63]	187	162.9-164.5 [6.41-6.48]	258.0 [10.16]	187	178.4-180.5 [7.02-7.11]	274.0 [10.79]	187	116.4-118.6 [4.58-4.67]	212.0 [8.35]	187	130.0-132.2 [5.12-5.20]	225.7 [8.88]
240	190.8-192.4 [7.51-7.57]	285.9 [11.26]	240	178.8-180.5 [7.04-7.10]	273.9 [10.79]	240	194.3-196.5 [7.65-7.73]	289.9 [11.42]	240	132.4-134.5 [5.21-5.30]	228.0 [8.98]	240	146.0-148.1 [5.75-5.83]	241.6 [9.51]
298	208.2-209.8 [8.20-8.26]	303.3 [11.94]	298	196.2-197.9 [7.73-7.79]	291.3 [11.47]	298	211.7-213.9 [8.34-8.42]	307.3 [12.10]	298	149.8-151.9 [5.90-5.98]	245.4 [9.66]	298	163.4-165.5 [6.43-6.52]	259.0 [10.20]

SYM	REVISION	BY	DATE	ECN
A	ENGINEERING RELEASE	RAF	11/23/93	24603
B	REVISED	AGJ	5-15-03	44305
C	REVISED	PRK	6-22-09	M76245
D	REVISED	AAB	3-22-10	M78695

MOUNTING TYPE AB		
DISP	C	E MAX
049	96.5-98.1 [3.80-3.86]	191.6 [7.54]
062	101.1-102.8 [3.98-4.05]	196.2 [7.73]
080	107.6-109.2 [4.24-4.30]	202.7 [7.98]
096	107.6-109.2 [4.24-4.30]	202.7 [7.98]
119	114.3-115.9 [4.50-4.56]	209.4 [8.24]
149	123.3-125.0 [4.86-4.92]	218.4 [8.60]
187	134.7-136.3 [5.30-5.37]	229.8 [9.05]
240	150.6-152.3 [5.93-5.99]	245.7 [9.68]
298	168.0-169.7 [6.62-6.68]	263.1 [10.36]



NOTE

- 1 PORT TYPE: AB
- 2 CASE FLOW OPTIONS/SELECTOR VALVE: 02
- 3 NORMALLY LOW SPEED MOTOR:
PORT C DEPRESSURIZED AND PORT D DEPRESSURIZED, LOW SPEED, HIGH TORQUE
PORT C PRESSURIZED AND PORT D DEPRESSURIZED AT 6.9 bar [100 lbf/in²]
MINIMUM PRESSURE DIFFERENCE, HIGH SPEED, LOW TORQUE
PORT D IS CONNECTED INTERNALLY TO THE CASE AND NEED NOT BE DRAINED EXTERNALLY AT PORT D

UNBIASED MOTOR:
PORT D DEPRESSURIZED AND PORT C DEPRESSURIZED, LOW SPEED, HIGH TORQUE
PORT C PRESSURIZED AND PORT D DEPRESSURIZED, HIGH SPEED, LOW TORQUE

NORMALLY HIGH SPEED MOTOR:
PORT D DEPRESSURIZED AND PORT C DEPRESSURIZED, HIGH SPEED, LOW TORQUE
PORT D PRESSURIZED AND PORT C DEPRESSURIZED AT 6.9 bar [100 lbf/in²]
MINIMUM PRESSURE DIFFERENCE, LOW SPEED HIGH TORQUE
PORT C MUST BE DRAINED TO TANK EXTERNALLY FOR PROPER OPERATION

REVIEWED FOR CLASSIFICATION PER ESP-042

UNLESS OTHERWISE SPECIFIED ALL DIMENSIONS ARE IN INCHES MILLIMETERS

TOLERANCES
 .XX ±REF
 .XXX ±ONLY
 < />
 UNSPECIFIED RADI ARE
 UNSPECIFIED DRAFT ANGLES ARE

DRAWN BY/DATE RAF 8/12/93
 CHECKED BY/DATE
 ENGR BY/DATE
 METALLURGY BY/DATE

TITLE
 2000 SERIES - TWO SPEED MOTOR PORT INSTALLATION

MATERIAL/HEAT TREAT
 NUMBER
 A-673-015

SCALE 1/1 SHEET 1 OF 1

ARITHMETICAL AVERAGE

DO NOT SCALE

THIRD ANGLE PROJECTION