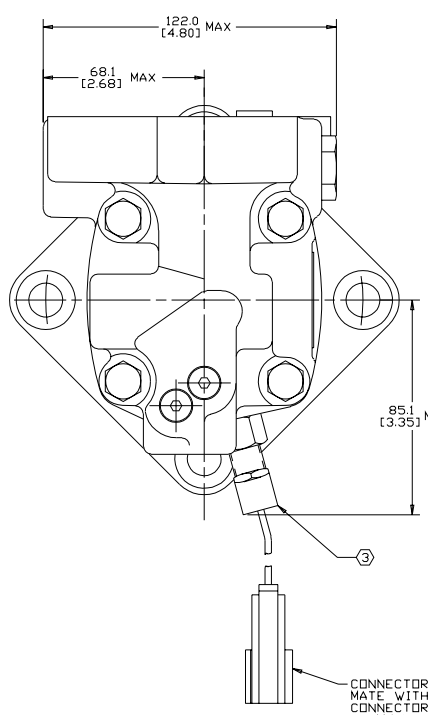
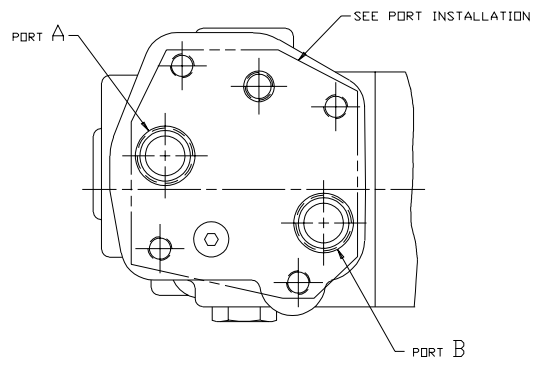
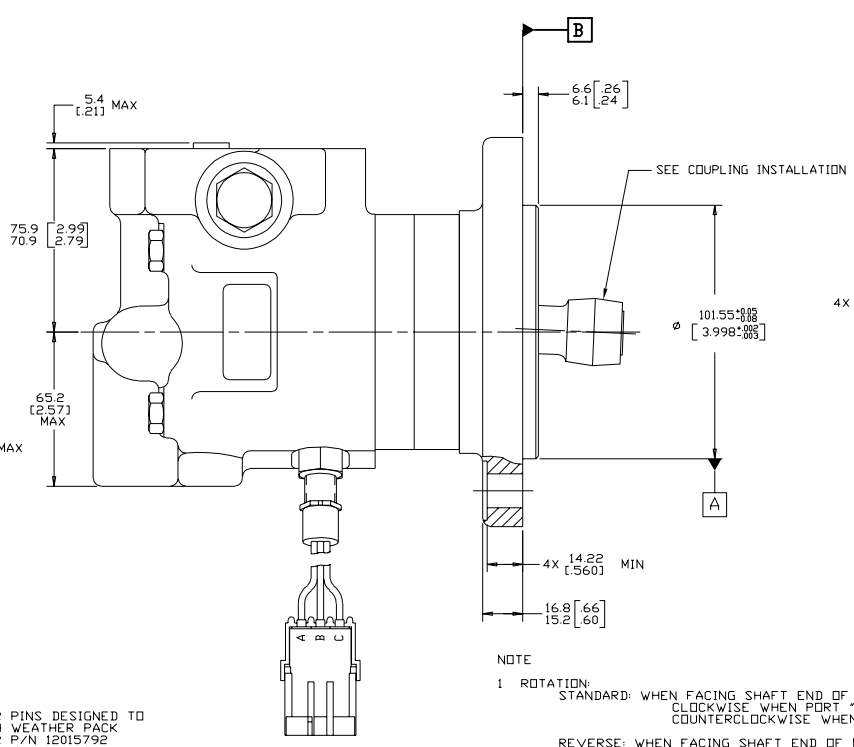


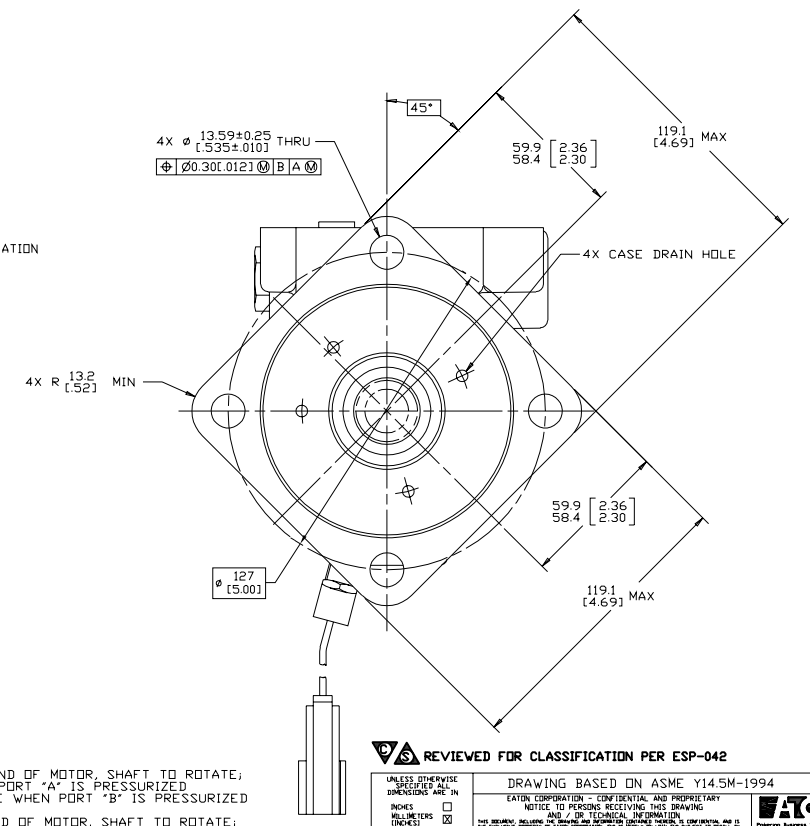
REV	DESCRIPTION	BY	CHK	DATE	ECN
A	ENGINEERING RELEASE	JJV	AGJ	2-10-99	M21197
B	REVISED PICTORIAL ONLY -1X(C) WAS 3.1 [1.2] MAX -2X(B) WAS 63.0 [2.48] MAX	AGJ		11-14-03	45640
C	-3X(C) WAS ϕ 10.54 [4.93] -4X(C) REMOVED DIM [4X 44.91 [1.769]] -5X(C) REMOVED [4X 35.26] -6X(C) ADDED DIM ϕ 18.00 -7X(A) MOUNTING TYPE WAS D AND E -B) UPDATED DRAWING TO ASME Y14.5M 1994 STANDARD	AAB	SSD	03-27-12	M85208
D	(7B) 85.1 [3.35] WAS 86.9 [3.42]	AAB		10-27-15	0066882



CONNECTOR PINS DESIGNED TO MATE WITH WEATHER PACK CONNECTOR P/N 12015792
TERMINAL P/N 12089040
CONTACT RATINGS: 5 AMPS MAX AT 12 VOLTS
(A=POWER, B=SIGNAL, C=COMMON)



NOTE
1 ROTATION:
STANDARD: WHEN FACING SHAFT END OF MOTOR, SHAFT TO ROTATE; COUNTERCLOCKWISE WHEN PORT "A" IS PRESSURIZED
REVERSE: WHEN FACING SHAFT END OF MOTOR, SHAFT TO ROTATE; COUNTERCLOCKWISE WHEN PORT "B" IS PRESSURIZED
2 MOUNTING TYPE:
AE: BEARINGLESS, 4 BOLT: ϕ 101.6 [4.00] PILOT
 ϕ 13.59 [5.35] HOLES ON ϕ 127.0 [5.00] BOLT CIRCLE
3 NOMINAL SENSOR OUTPUT WILL BE 30 ELECTRICAL PULSES PER SHAFT REVOLUTION
SUPPLY VOLTAGE: 8 TO 28 Vdc
OUTPUT VOLTAGE: LOW .5 Vdc AT 10 mA; HIGH Vs-1 Vdc



REVIEWED FOR CLASSIFICATION PER ESP-042

UNLESS OTHERWISE SPECIFIED, DIMENSIONS ARE IN MILLIMETERS		DRAWING BASED ON ASME Y14.5M-1994	
INDICES	<input type="checkbox"/>	EATON CORPORATION - CONFIDENTIAL AND PROPRIETARY	
TOLERANCES	XX + REF	NOTICE TO PERSONS RECEIVING THIS DRAWING: THIS DRAWING, INCLUDING ALL DIMENSIONS AND SPECIFICATIONS, IS THE PROPERTY OF EATON CORPORATION AND IS NOT TO BE REPRODUCED OR TRANSMITTED IN ANY FORM OR BY ANY MEANS, ELECTRONIC OR MECHANICAL, INCLUDING PHOTOCOPYING, RECORDING, OR BY ANY INFORMATION STORAGE AND RETRIEVAL SYSTEM, WITHOUT THE WRITTEN PERMISSION OF EATON CORPORATION. ALL RIGHTS RESERVED.	
BY DATE	AGJ 2-15-99	Eaton Hydraulics Inc 2400 Lone Oak Road Eaton Proper, MI 49344 USA	
UNSPECIFIED RADI ARE	ENGR. TRF 2-15-99	TITLE: 2000 SERIES - TWO SPEED MOTOR INSTALLATION	
UNSPECIFIED DRAFT ANGLES ARE	METALLURGY BY DATE	MICROFINISHES <input type="checkbox"/> NUMBER: A-666-012	
DRAWING FORMAT: CASE <input type="checkbox"/> MANUAL <input type="checkbox"/>	THIRD ANGLE PROJECTION	SCALE: 1/1 SHEET 1 OF 1	