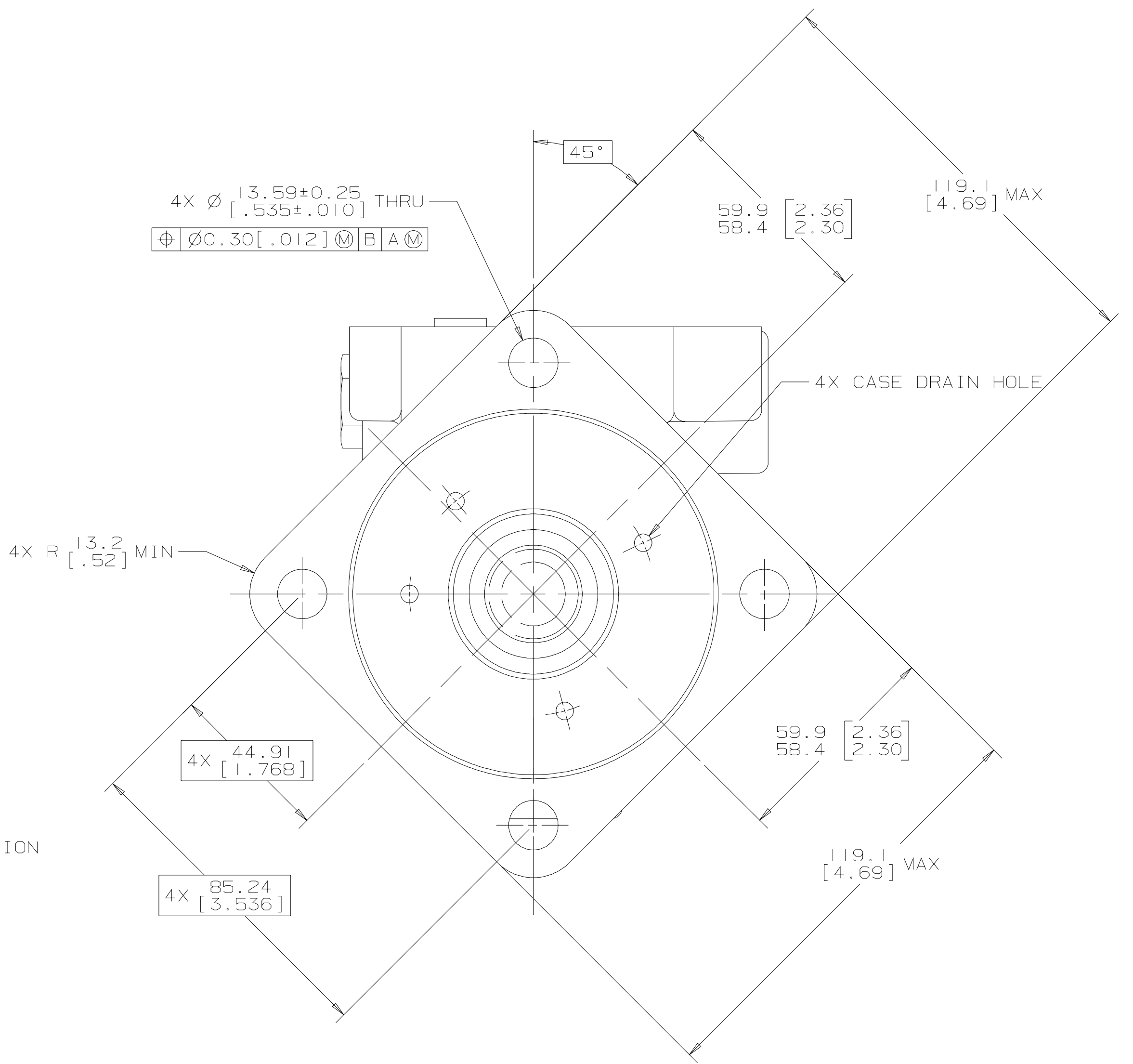
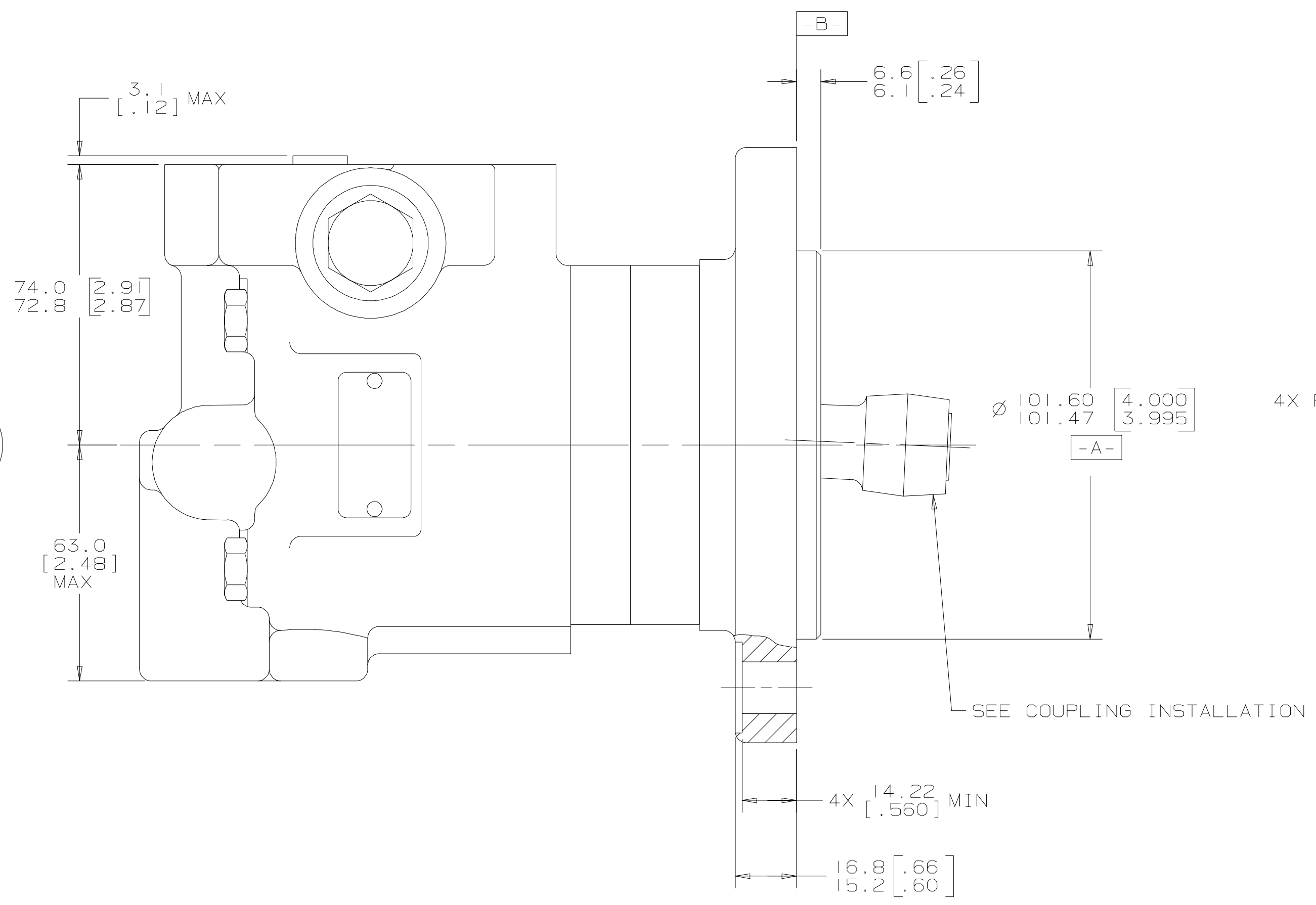
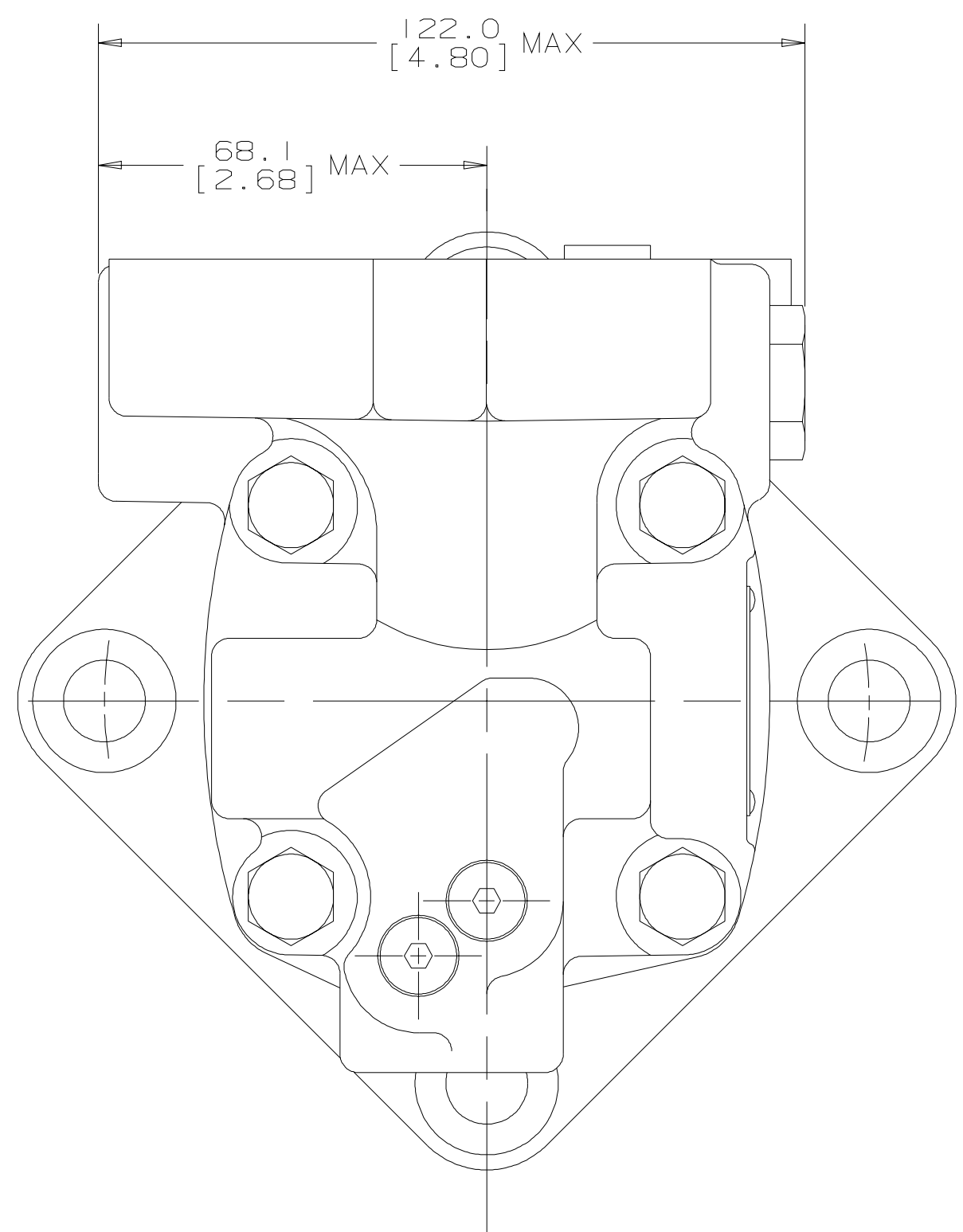
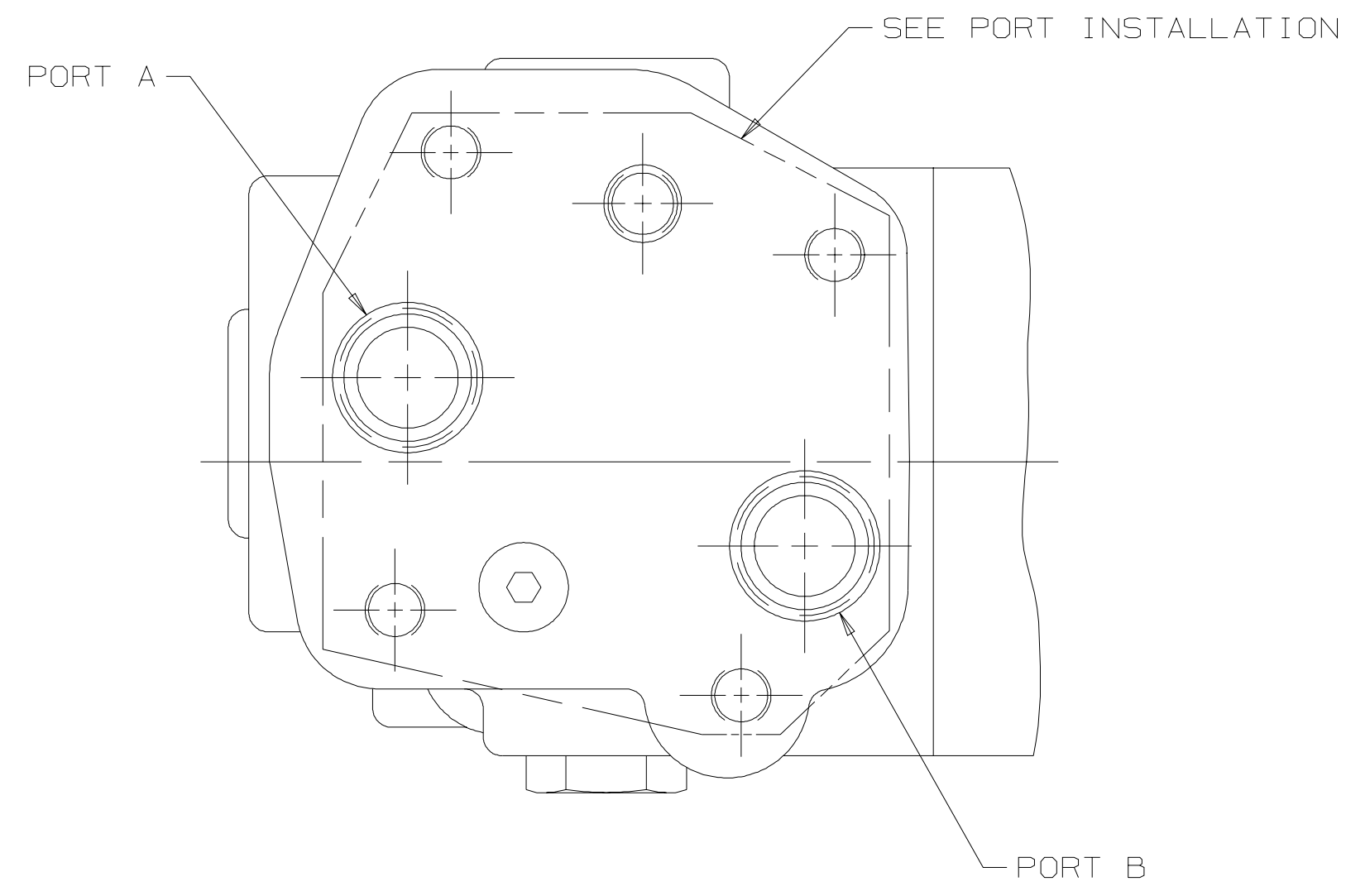


| SYM | REVISION | BY | DATE | ECN |
|-----|------------------------------------|-----|----------|-------|
| A | ENGINEERING RELEASE | RAF | 11/23/93 | 24603 |
| B | (1A) DOCUMENT NUMBER WAS A-666-005 | RAF | 3/8/94 | 25246 |
| C | REVISED PICTORIALY | AGJ | 11/14/03 | 45640 |



NOTE

1 ROTATION:
 STANDARD: WHEN FACING SHAFT END OF MOTOR, SHAFT TO ROTATE:
 CLOCKWISE WHEN PORT "A" IS PRESSURIZED
 COUNTERCLOCKWISE WHEN PORT "B" IS PRESSURIZED

REVERSE: WHEN FACING SHAFT END OF MOTOR, SHAFT TO ROTATE:
 CLOCKWISE WHEN PORT "B" IS PRESSURIZED
 COUNTERCLOCKWISE WHEN PORT "A" IS PRESSURIZED

2 MOUNTING TYPE: D AND E
 BEARINGLESS, 4 BOLT: \varnothing 101.6 [4.00] PILOT
 \varnothing 13.59 [.535] HOLES ON \varnothing 127.0 [5.00] BOLT CIRCLE

G S K

| | | | |
|---|---|---|---|
| UNLESS OTHERWISE SPECIFIED ALL DIMENSIONS ARE IN | | DRAWING BASED ON ANSI Y14.5M-1982 | |
| INCHES <input type="checkbox"/> | MILLIMETERS <input checked="" type="checkbox"/> | THE REPRODUCTION, DISTRIBUTION, AND UTILIZATION OF THIS DOCUMENT, AS WELL AS THE COMMUNICATION OF ITS CONTENTS TO OTHERS WITHOUT EXPLICIT AUTHORIZATION IS PROHIBITED. OFFENDERS WILL BE HELD LIABLE FOR THE PAYMENT OF DAMAGES. ALL RIGHTS RESERVED IN THE EVENT OF THE GRANT OF A PATENT, UTILITY MODEL, OR DESIGN. (PER ISO 16016) | |
| TOLERANCES | | | |
| .X | ----- | DRWN BY/DATE: RAF 8/10/93 | MATERIAL/HEAT TREAT |
| .XX | +REF | CHECKED BY/DATE: AGJ 2/14/94 | |
| .XXX | +ONLY | ENGR BY/DATE: MLB 2/16/94 | TITLE: 2000 SERIES - TWO SPEED MOTOR INSTALLATION |
| UNSPECIFIED RADII ARE | ----- | METALLURGY BY/DATE | NUMBER: A-666-008 |
| UNSPECIFIED DRAFT ANGLES ARE | ----- | THIRD ANGLE PROJECTION | SCALE: 1/1 |
| DRAWING FORMAT CADD <input checked="" type="checkbox"/> MANUAL <input type="checkbox"/> | DO NOT SCALE | ARITHMETICAL AVERAGE | SHEET 1 OF 1 |