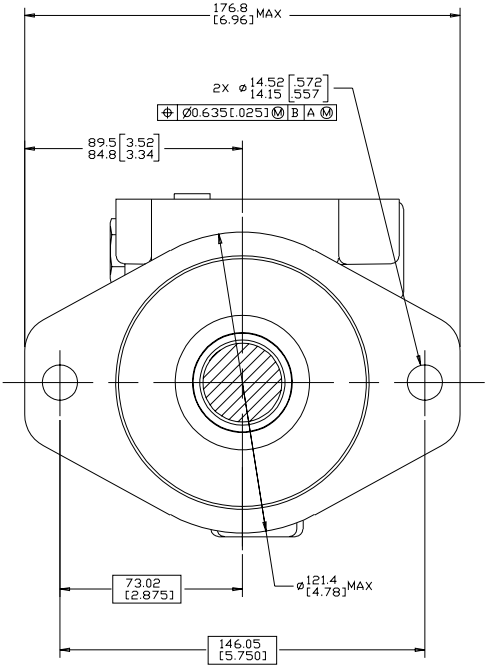
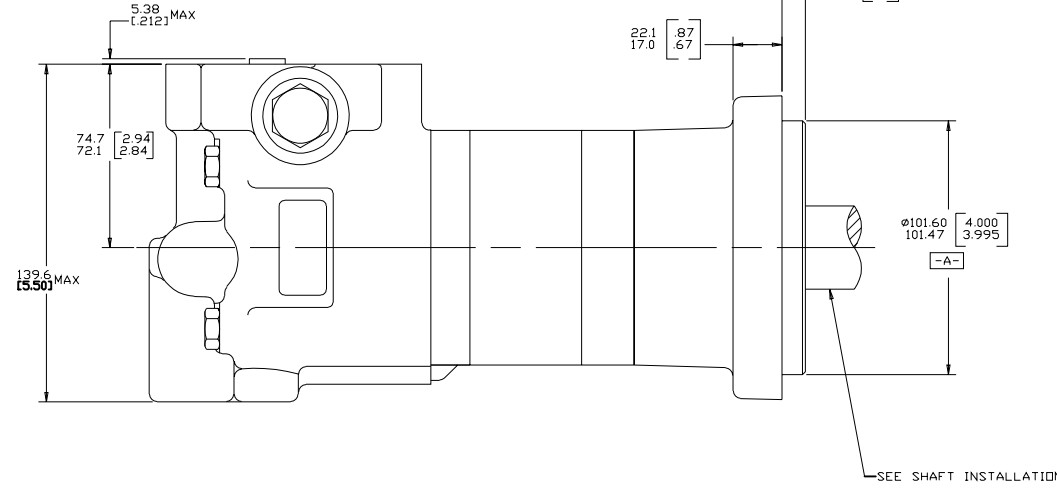
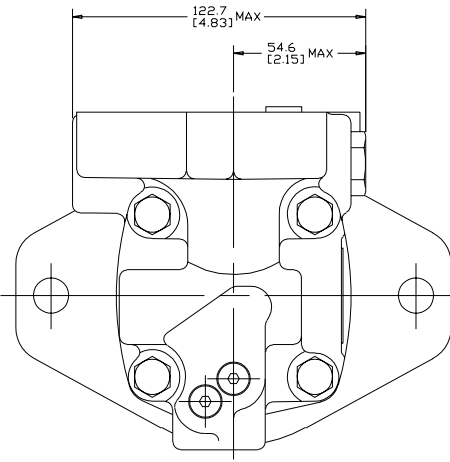
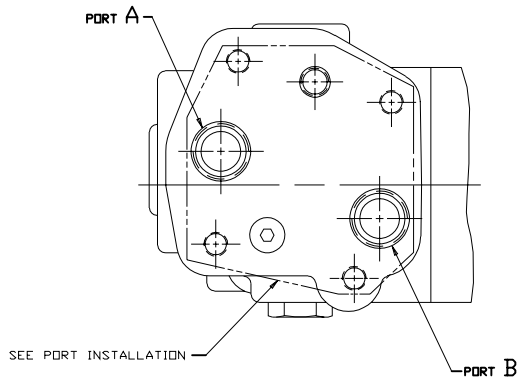


REV	DESCRIPTION	BY	CHK	DATE	ECN	/	MPS
A	ENGINEERING RELEASE	RAF		11/23/93			24603
B	RELEASE FOR SAMPLES AND ESTIMATES	RAF		3/8/94			25246
C	REVISED	SSD		07/02/99			M76323
D	REVISED	HRK		10/20/99			20156
E	-1X(6C)5.38(.212) MAX WAS 3.4(.14) MAX -2X(3C)9.8/9.0(.39/.36) WAS 9.9/8.9(.39/.35) -3X(5A)NOTE 2 WAS MOUNTING TYPE: F...	JVD	SB	07/22/15			0065053



NOTE

1 ROTATION:
STANDARD: WHEN FACING SHAFT END OF MOTOR, SHAFT TO ROTATE;
CLOCKWISE WHEN PORT "A" IS PRESSURIZED
COUNTERCLOCKWISE WHEN PORT "B" IS PRESSURIZED

REVERSE: WHEN FACING SHAFT END OF MOTOR, SHAFT TO ROTATE;
CLOCKWISE WHEN PORT "B" IS PRESSURIZED
COUNTERCLOCKWISE WHEN PORT "A" IS PRESSURIZED

2 MOUNTING TYPE: AF
STANDARD, 2 BOLT: ϕ 101.6 [4.00] PILOT
 ϕ 14.35 [0.565] HOLES ON ϕ 146.0 [5.75]
BOLT CIRCLE "SAE B"

REVIEWED FOR CLASSIFICATION PER ESP-042

UNLESS OTHERWISE SPECIFIED ALL DIMENSIONS ARE IN		DRAWING BASED ON ANSI Y14.5M-1982	
INCHES <input type="checkbox"/>		EATON CORPORATION - CONFIDENTIAL AND PROPRIETARY	
MILLIMETERS <input checked="" type="checkbox"/>		NOTICE TO PERSONS RECEIVING THIS DRAWING	
TOLERANCES		THIS DRAWING IS THE PROPERTY OF EATON CORPORATION. IT IS TO BE USED ONLY FOR THE PURPOSES AND IN THE MANNER SPECIFIED HEREIN. IT IS NOT TO BE REPRODUCED, COPIED, OR TRANSMITTED IN ANY FORM OR BY ANY MEANS, ELECTRONIC OR MECHANICAL, INCLUDING PHOTOCOPYING, RECORDING, OR BY ANY INFORMATION STORAGE AND RETRIEVAL SYSTEM, WITHOUT THE WRITTEN PERMISSION OF EATON CORPORATION. AT 02/20/2015	
X ±	BROWN - RAF	MATERIAL/HEAT TREAT	
XX ± REF	BY/DATE 01/19/93	-	
XXX ± ONLY	CHECKED AGJ	-	
CL ±	BY/DATE 2/14/94	-	
UNSPECIFIED RADIUS ARE:	ENGR: MJB	TITLE	
-----	BY/DATE 2/16/94	2000 SERIES - TWO SPEED MOTOR INSTALLATION	
UNSPECIFIED DRAFT ANGLES ARE:	REVISIONS	NUMBER	
-----	-----	A-667-006	
THIRD ANGLE PROJECTION	DO NOT SCALE	SCALE 1/1	
D SIZE	ARITHMETIC AVERAGE	SHEET 1 OF 1	