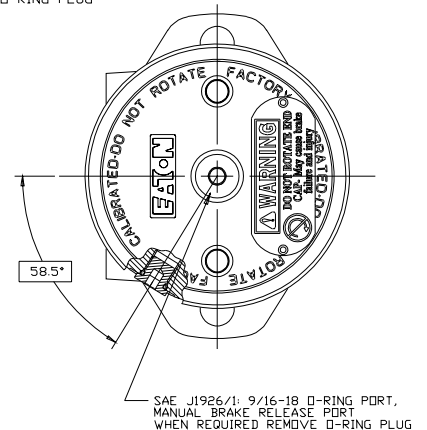
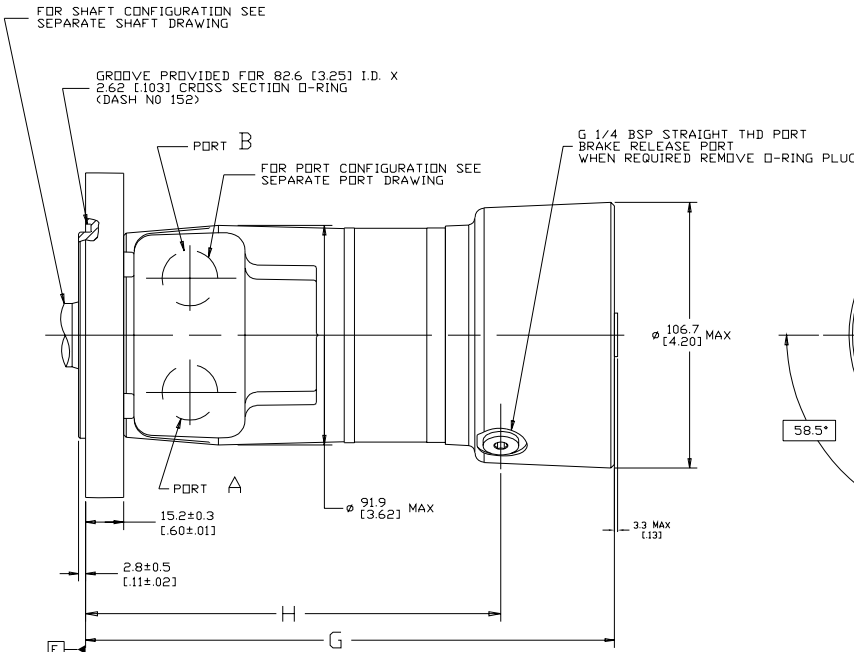
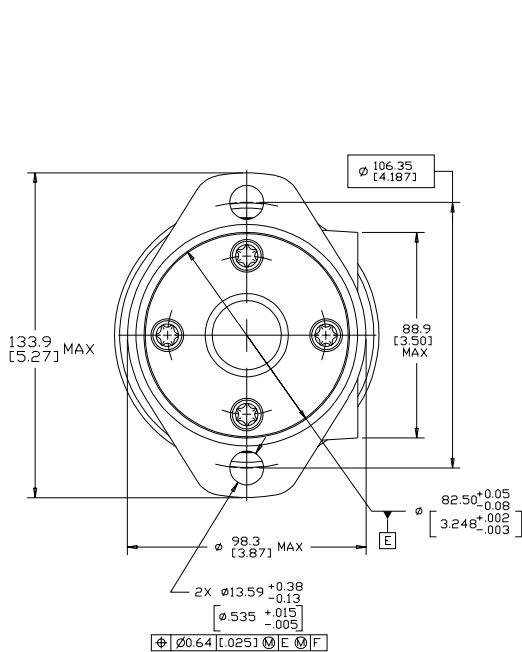


DISPL CODE	G MAX	H
022	190.2 [7.49]	143.9±0.9 [5.66±0.03]
024	190.8 [7.51]	144.5±0.9 [5.69±0.03]
030	192.5 [7.58]	146.3±0.9 [5.76±0.03]
036	194.3 [7.65]	148.1±0.9 [5.83±0.03]
040	195.6 [7.70]	149.3±0.9 [5.88±0.03]
049	198.4 [7.81]	152.0±0.9 [5.98±0.03]
062	202.2 [7.96]	155.9±0.9 [6.14±0.03]
080	207.5 [8.17]	161.3±0.9 [6.35±0.03]
096	212.6 [8.37]	166.2±0.9 [6.54±0.03]
119	219.2 [8.63]	172.9±0.9 [6.81±0.03]
149	228.3 [8.99]	181.9±0.9 [7.16±0.03]
187	239.5 [9.43]	193.3±0.9 [7.61±0.03]
226	251.2 [9.89]	205.0±0.9 [8.07±0.03]

REV	DESCRIPTION	BY	CHK	DATE	ECN / MPS
A	ENGINEERING RELEASE	SMM		08-12-04	49031
B	-1X(7B)Ø98.3(3.87)MAX WAS Ø96.8(3.81)MAX -2X(8C)133.9(5.27)MAX WAS 131.4(5.17)MAX	VJP		11-07-04	46856
C	-1X(2C)REVISED PICTORIALY -2XUPDATED AS PER CURRENT STANDARD	YIS	AAB	06-28-11	0032984
D	(2B) WAS 7/16-20 UNF-2B	NRI		02-22-14	0054782
E	-1X(3C)2C)REVISED PICTORIALY -2X(3B) ADDED 3.3(0.13) MAX -3X(2B)SAE J1926/1: 9/16-18.WAS 7/16-20 UNF-2B...	SSP	CSG	12-28-15	0068064



NOTE

1 ROTATION
STANDARD WHEN FACING SHAFT END OF MOTOR SHAFT TO ROTATE CLOCKWISE WHEN PORT "A" IS PRESSURIZED COUNTERCLOCKWISE WHEN PORT "B" IS PRESSURIZED
REVERSE WHEN FACING SHAFT END OF MOTOR SHAFT TO ROTATE CLOCKWISE WHEN PORT "B" IS PRESSURIZED COUNTERCLOCKWISE WHEN PORT "A" IS PRESSURIZED

2 MOUNTING TYPE
AA = 2 BOLT STD: 82.50 [3.248] DIA X 3.05 [0.120] PILOT, 13.59 [0.535] DIA. MOUNTING HOLES ON 106.35 [4.187] DIA. B.C.

REVIEWED FOR CLASSIFICATION PER ESP-042

UNLESS OTHERWISE SPECIFIED ALL DIMENSIONS ARE IN INCHES (MILLIMETERS)	DRAWING BASED ON ASME Y14.5M-1994	
TOLERANCES	EATON CORPORATION - CONFIDENTIAL AND PROPRIETARY NOTICE TO PERSONS RECEIVING THIS DRAWING: THIS DRAWING, INCLUDING ALL DIMENSIONS AND SPECIFICATIONS, IS THE PROPERTY OF EATON CORPORATION AND IS NOT TO BE REPRODUCED OR TRANSMITTED IN ANY FORM OR BY ANY MEANS, ELECTRONIC OR MECHANICAL, INCLUDING PHOTOCOPYING, RECORDING, OR BY ANY INFORMATION STORAGE AND RETRIEVAL SYSTEM, WITHOUT THE WRITTEN PERMISSION OF EATON CORPORATION. EATON CORPORATION, 10000 Green Lane Road, Green Springs, NJ 07034	
X ±	SOA/AN	MATERIAL HEAT TREAT
XX ±	BY/DATE	---
XXX ±	CHECKED	---
UNSPECIFIED	BY/DATE	---
RADI	BY/DATE	---
UNSPECIFIED DRAFT ANGLES ARE:	TITLE T MOTOR W/BRAKE INSTALLATION	
THIRD ANGLE PROJECTION	NUMBER A-1481-001	
DO NOT SCALE	SCALE 1/1 SHEET 1 OF 1	