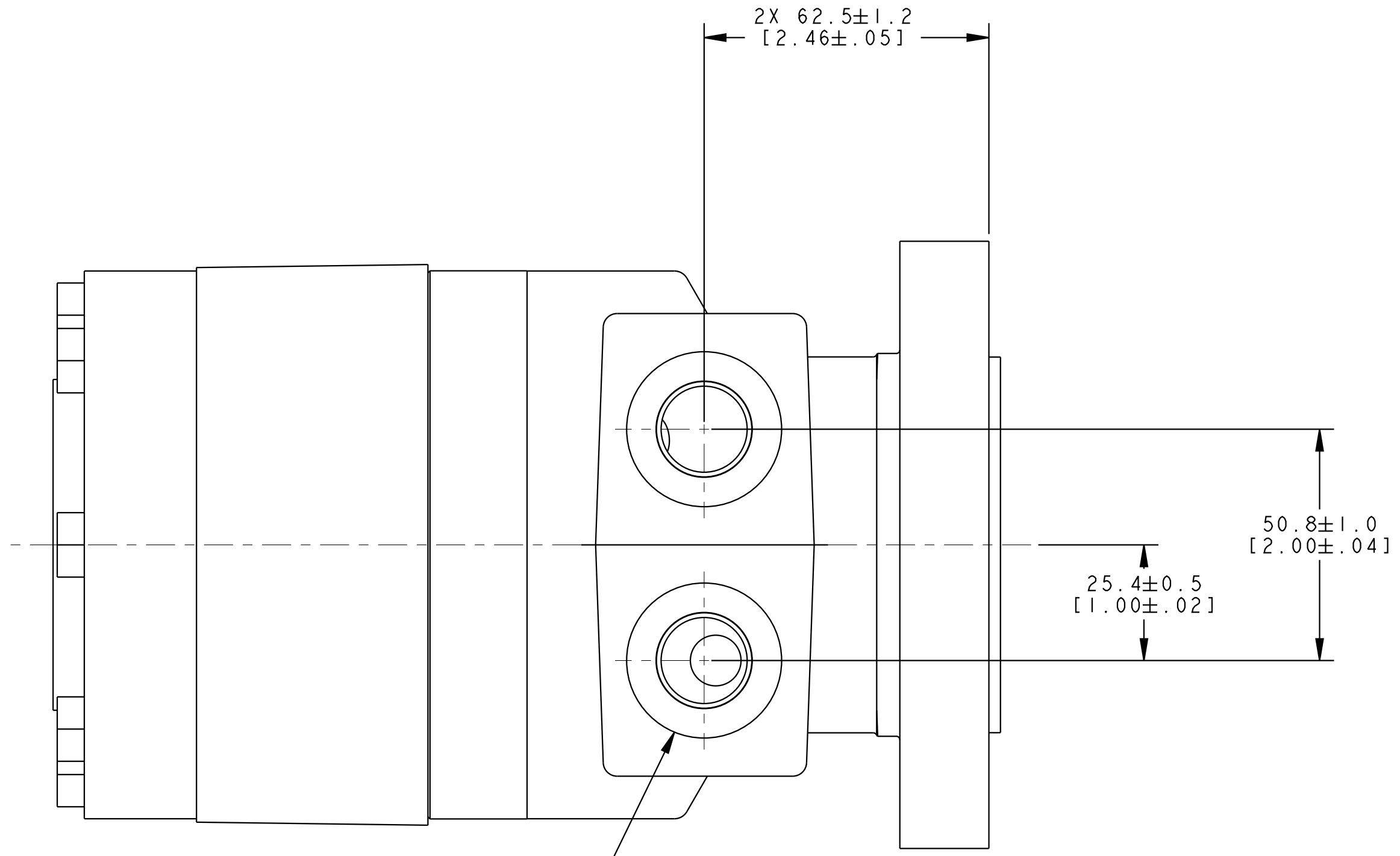
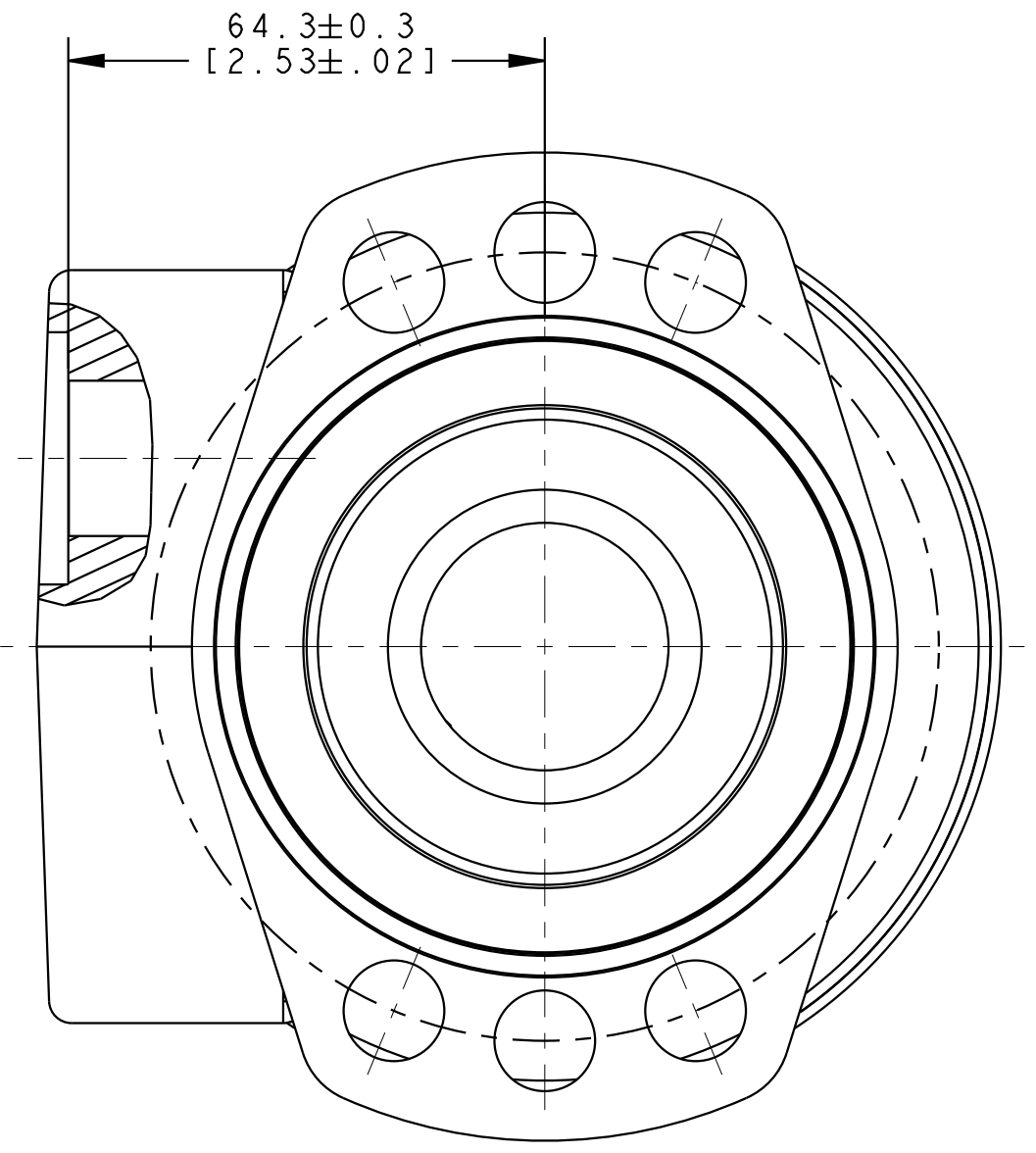


REV	DESCRIPTION	BY	CHK	DATE	ECN / MPS
A	ENGINEERING RELEASE	CSG		09/19/08	M74124
B	-1)(3D)2X 62.5±1.3/[2.46±.05] WAS 2X 62.5±0.8/[2.46±.03] -2)REVISED PICTORIALLY -3)UPDATED DRAWING AS PER ASME Y14.5M 1994 STANDARD	AAB	YUP	03/11/13	M88527



2X G 1/2 BSP STRAIGHT THREAD PORTS



NOTE:
PORT OPTION - AC
MOUNTING TYPE - AB

REVIEWED FOR CLASSIFICATION PER ESP-042

UNLESS OTHERWISE SPECIFIED ALL DIMENSIONS ARE IN INCHES <input type="checkbox"/> MILLIMETERS (INCHES) <input checked="" type="checkbox"/>		DRAWING BASED ON ASME Y14.5M-1994	
TOLERANCES .X ± 0.1 .XX ± 0.01 .XXX ± 0.001 ∠ ± 0.5°		THE REPRODUCTION, DISTRIBUTION, AND UTILIZATION OF THIS DOCUMENT, AS WELL AS THE COMMUNICATION OF ITS CONTENTS TO OTHERS WITHOUT EXPLICIT AUTHORIZATION IS PROHIBITED. OFFENDERS WILL BE HELD LIABLE FOR THE PAYMENT OF DAMAGES. ALL RIGHTS RESERVED IN THE EVENT OF THE GRANT OF A PATENT, UTILITY MODEL, OR DESIGN. (PER ISO 16016)	
UNSPECIFIED RADII ARE: -		DRAWN CSG BY/DATE 09/26/2008	MATERIAL/HEAT TREAT -
UNSPECIFIED DRAFT ANGLES ARE: °		CHECKED AMM BY/DATE 09/26/2008	
C SIZE		ENGRG SMR BY/DATE 09/29/2008	
THIRD ANGLE PROJECTION		METALLURGY BY/DATE -	TITLE DELTA MOTOR PORT INSTALLATION
DO NOT SCALE		<input type="checkbox"/> MICROINCHES <input checked="" type="checkbox"/> MICROMETERS <input checked="" type="checkbox"/> MICROINCHES	NUMBER A-2978-003
		ARITHMETICAL AVERAGE	SCALE 1/1 SHEET 1 OF 1