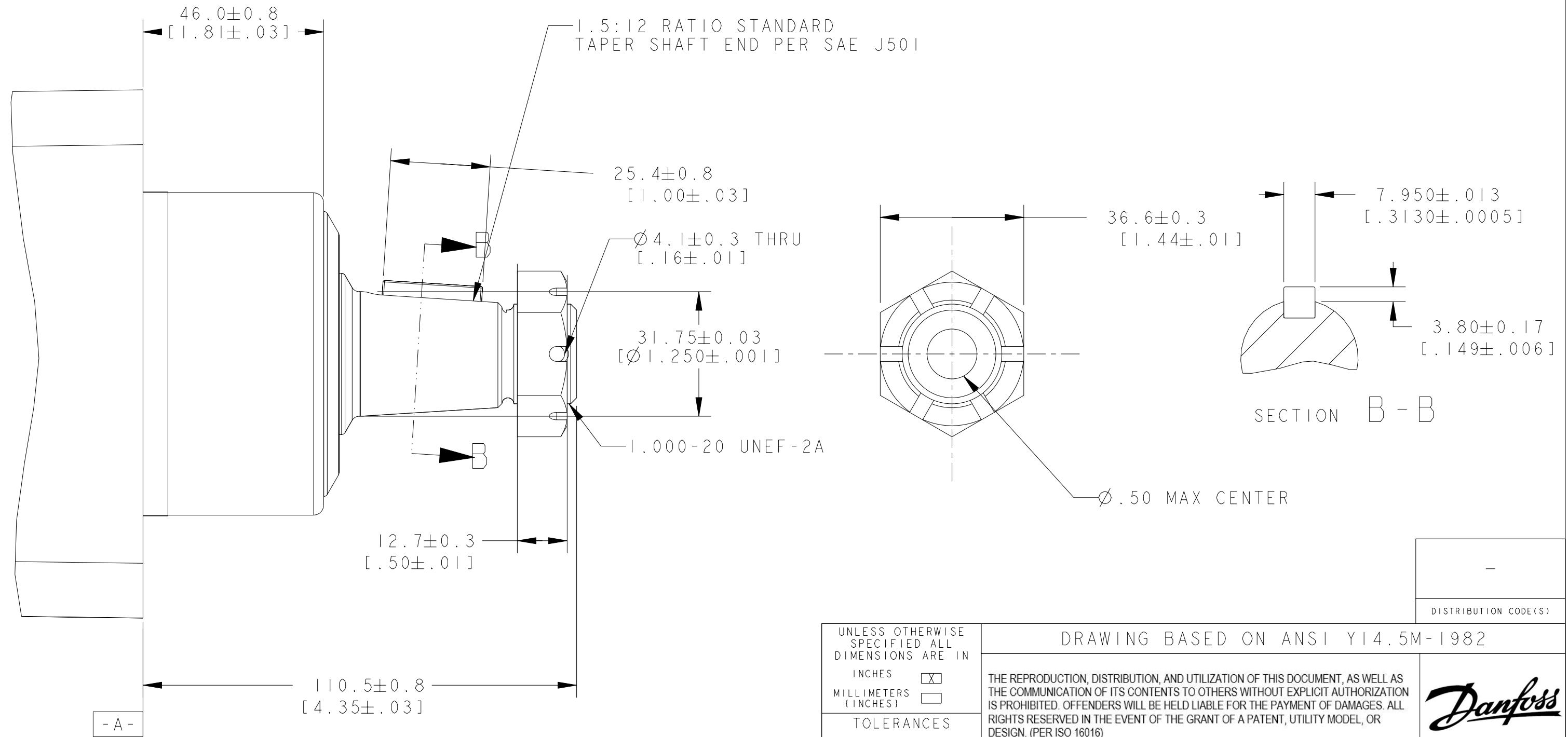


REV	DESCRIPTION	BY	CHK	DATE	ECN / MPS
A	ENGINEERING RELEASE	PM	[]	12/23/06	M68692



NOTE:

1 MOUNTING TYPE : AA

2 OUTPUT SHAFT : 02

DISTRIBUTION CODE(S)

UNLESS OTHERWISE SPECIFIED ALL DIMENSIONS ARE IN INCHES <input checked="" type="checkbox"/> MILLIMETERS (INCHES) <input type="checkbox"/>	DRAWING BASED ON ANSI Y14.5M-1982	
	THE REPRODUCTION, DISTRIBUTION, AND UTILIZATION OF THIS DOCUMENT, AS WELL AS THE COMMUNICATION OF ITS CONTENTS TO OTHERS WITHOUT EXPLICIT AUTHORIZATION IS PROHIBITED. OFFENDERS WILL BE HELD LIABLE FOR THE PAYMENT OF DAMAGES. ALL RIGHTS RESERVED IN THE EVENT OF THE GRANT OF A PATENT, UTILITY MODEL, OR DESIGN. (PER ISO 16016)	
TOLERANCES .X ± 0.1 .XX ± 0.01 .XXX ± 0.001 ∠ ± 0.5°	DRAWN PM BY/DATE 12/27/2006	MATERIAL/HEAT TREAT -
UNSPECIFIED RADII ARE: -	CHECKED AAK BY/DATE 12/28/2006	TITLE DELTA MOTOR SHAFT INSTALLATION
UNSPECIFIED DRAFT ANGLES ARE: °	ENGRG TIM BY/DATE 12/28/2006	NUMBER A-2824-010
B SIZE	THIRD ANGLE PROJECTION DO NOT SCALE	SCALE 1/1 SHEET 1 OF 1

Danfoss

MICROINCHES
MICROMETERS (MICROINCHES)
ARITHMETICAL AVERAGE