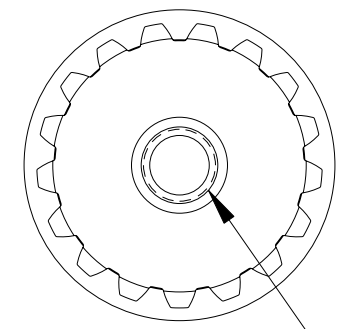
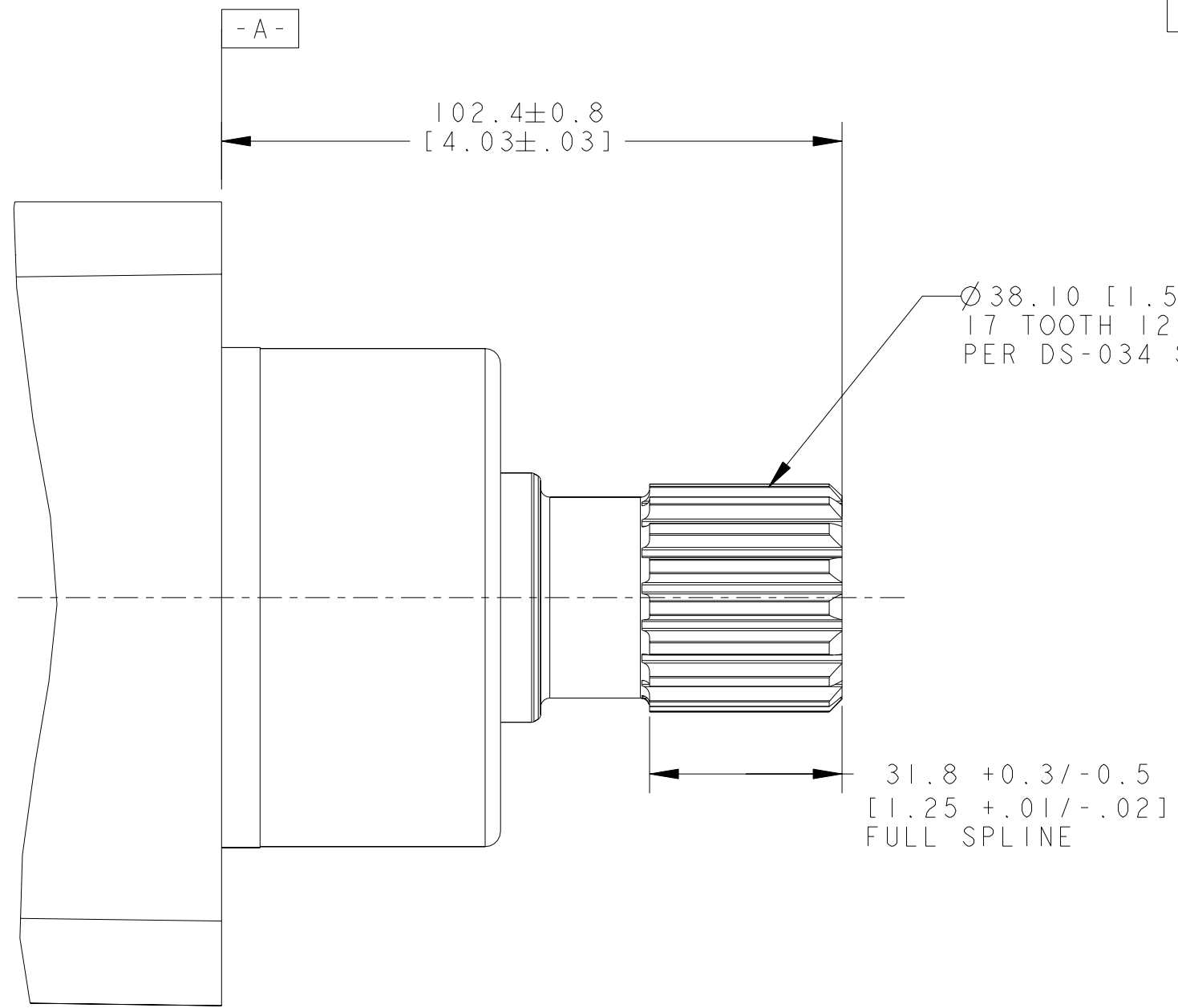


REV	DESCRIPTION	BY	CHK	DATE	ECN / MPS
A	RELEASE FOR SAMPLES AND ESTIMATES	PM	[ ]	03/09/06	X-54953
B	ENGINEERING RELEASE	SKS		5-11-04	M61164



-

DISTRIBUTION CODE(S)

NOTE:  
 1 MOUNTING TYPE : AA  
 2 OUTPUT SHAFT : 05

UNLESS OTHERWISE SPECIFIED ALL DIMENSIONS ARE IN INCHES <input checked="" type="checkbox"/> MILLIMETERS (INCHES) <input type="checkbox"/>	DRAWING BASED ON ANSI Y14.5M-1982	
	THE REPRODUCTION, DISTRIBUTION, AND UTILIZATION OF THIS DOCUMENT, AS WELL AS THE COMMUNICATION OF ITS CONTENTS TO OTHERS WITHOUT EXPLICIT AUTHORIZATION IS PROHIBITED. OFFENDERS WILL BE HELD LIABLE FOR THE PAYMENT OF DAMAGES. ALL RIGHTS RESERVED IN THE EVENT OF THE GRANT OF A PATENT, UTILITY MODEL, OR DESIGN. (PER ISO 16016)	
TOLERANCES .X ± 0.1 .XX ± 0.01 .XXX ± 0.001 ∠ ± 0.5°	DRAWN PM BY/DATE 03/14/2006	MATERIAL/HEAT TREAT -
UNSPECIFIED RADII ARE: -	CHECKED SMM BY/DATE 03/14/2006	TITLE DELTA MOTOR SHAFT INSTALLATION
UNSPECIFIED DRAFT ANGLES ARE: °	ENGRG TIM BY/DATE 03/14/2006	NUMBER A-2824-005
B SIZE	THIRD ANGLE PROJECTION DO NOT SCALE	SCALE 1/1 SHEET 1 OF 1



MICROINCHES   
MICROMETERS (MICROINCHES)   
ARITHMETICAL AVERAGE