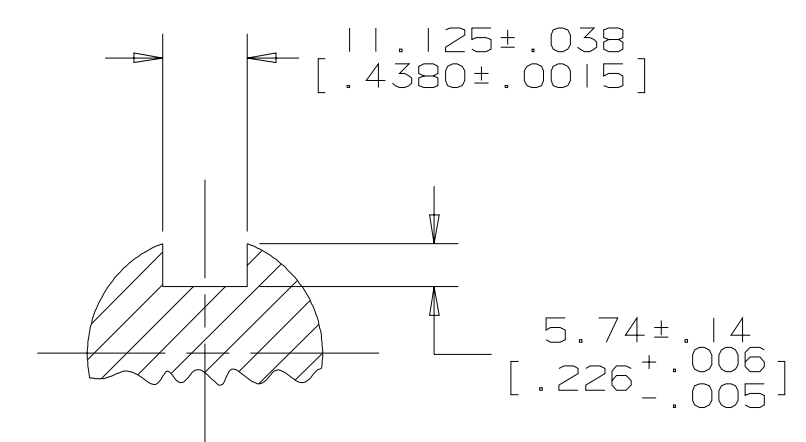
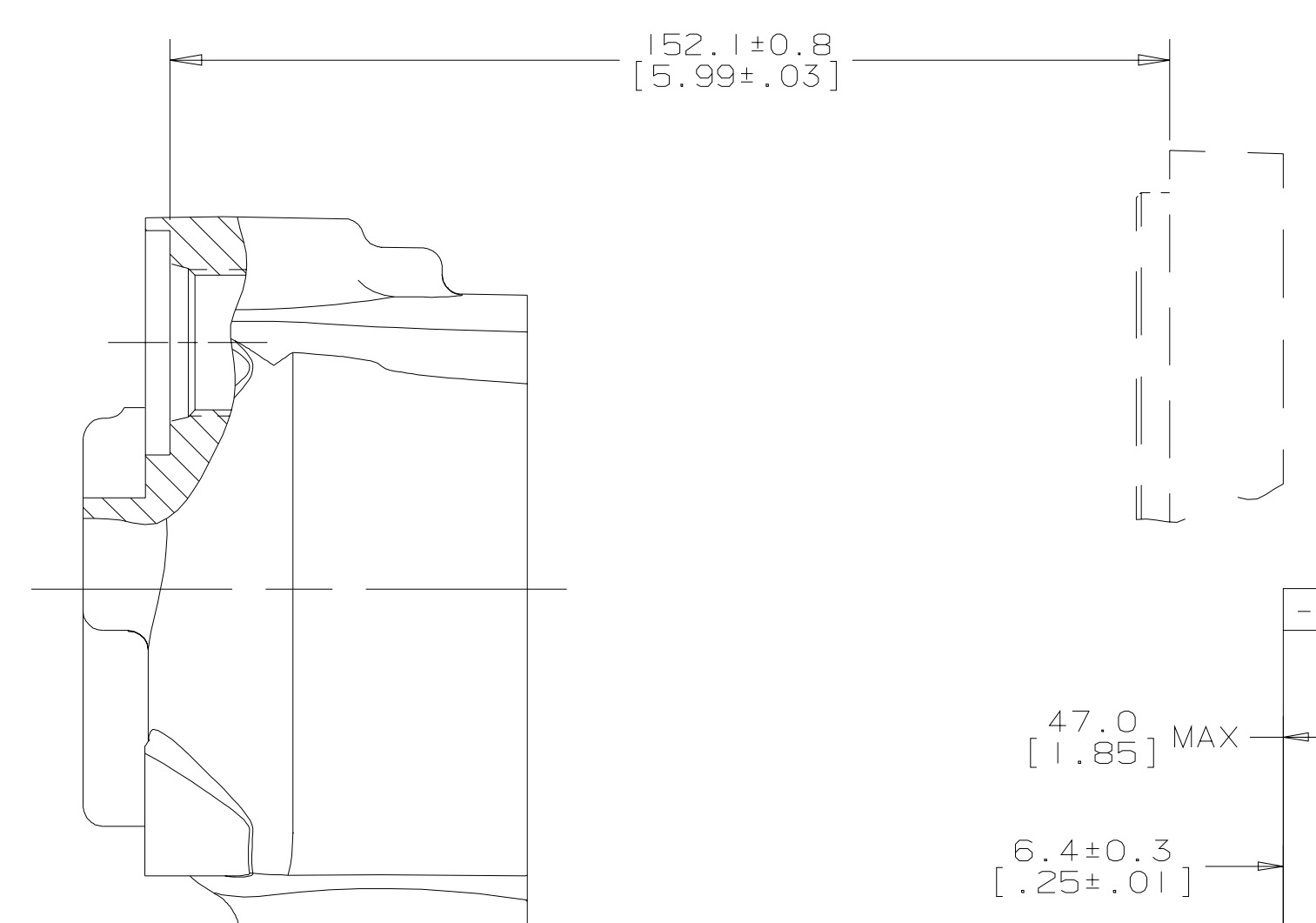
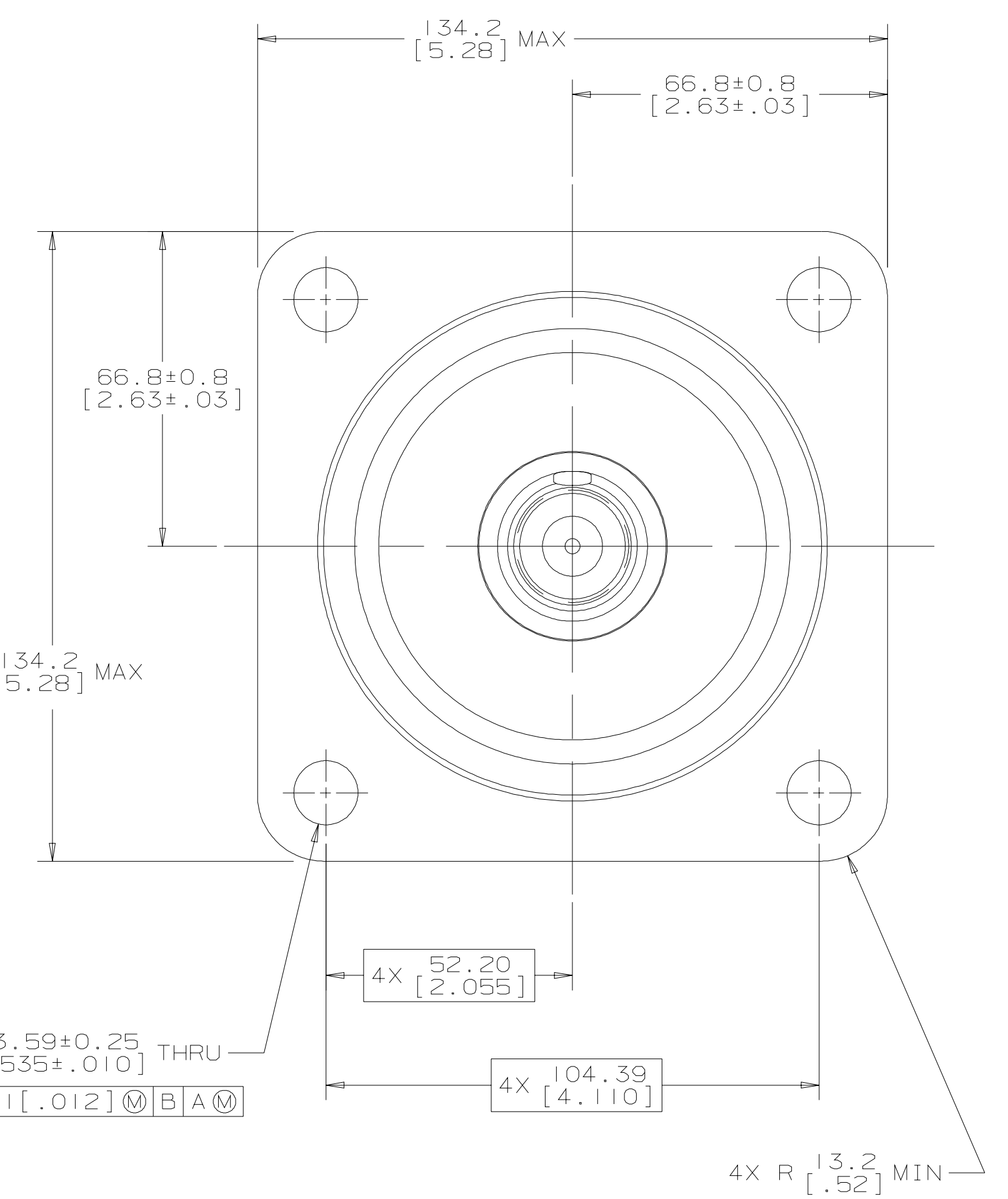
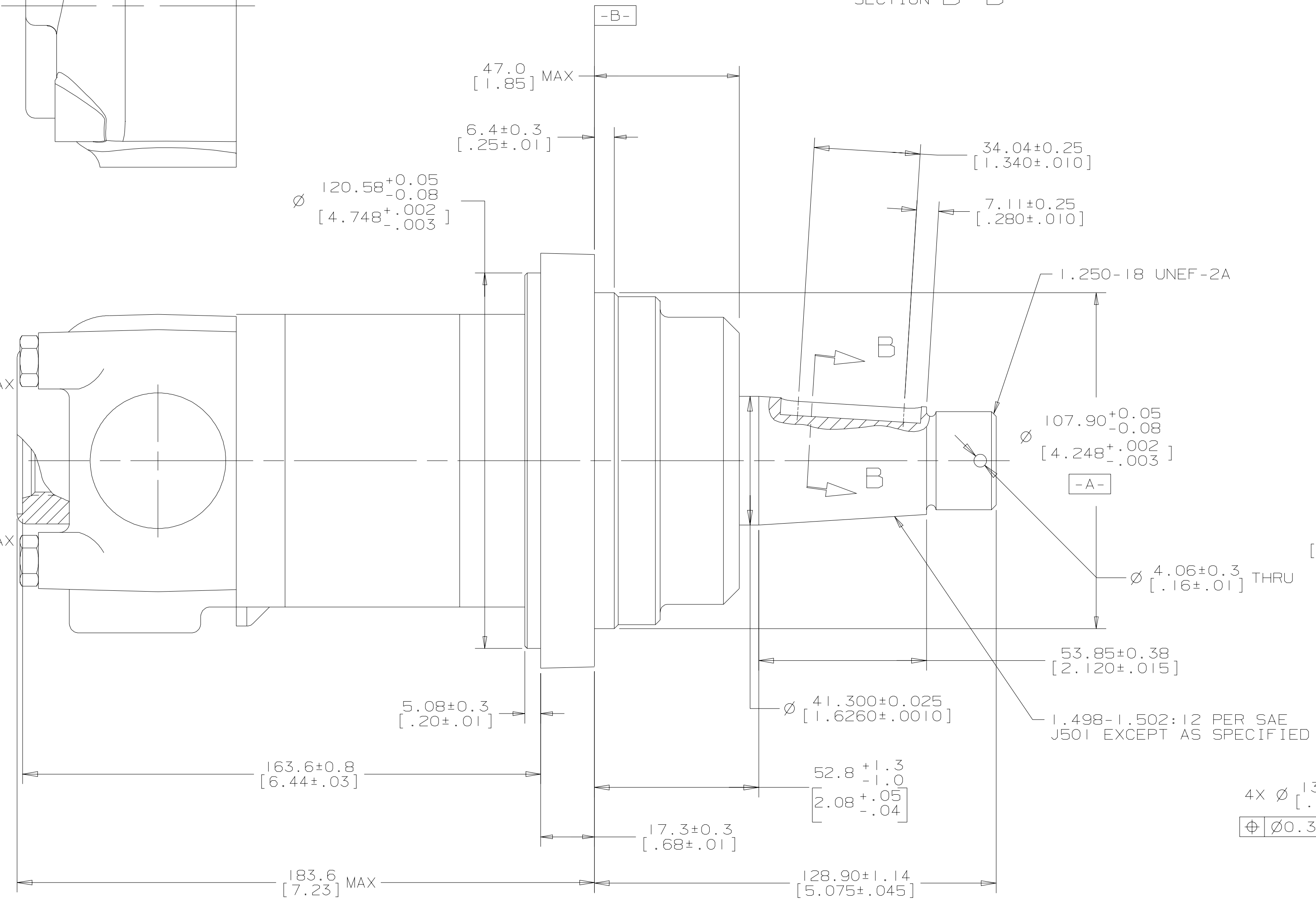
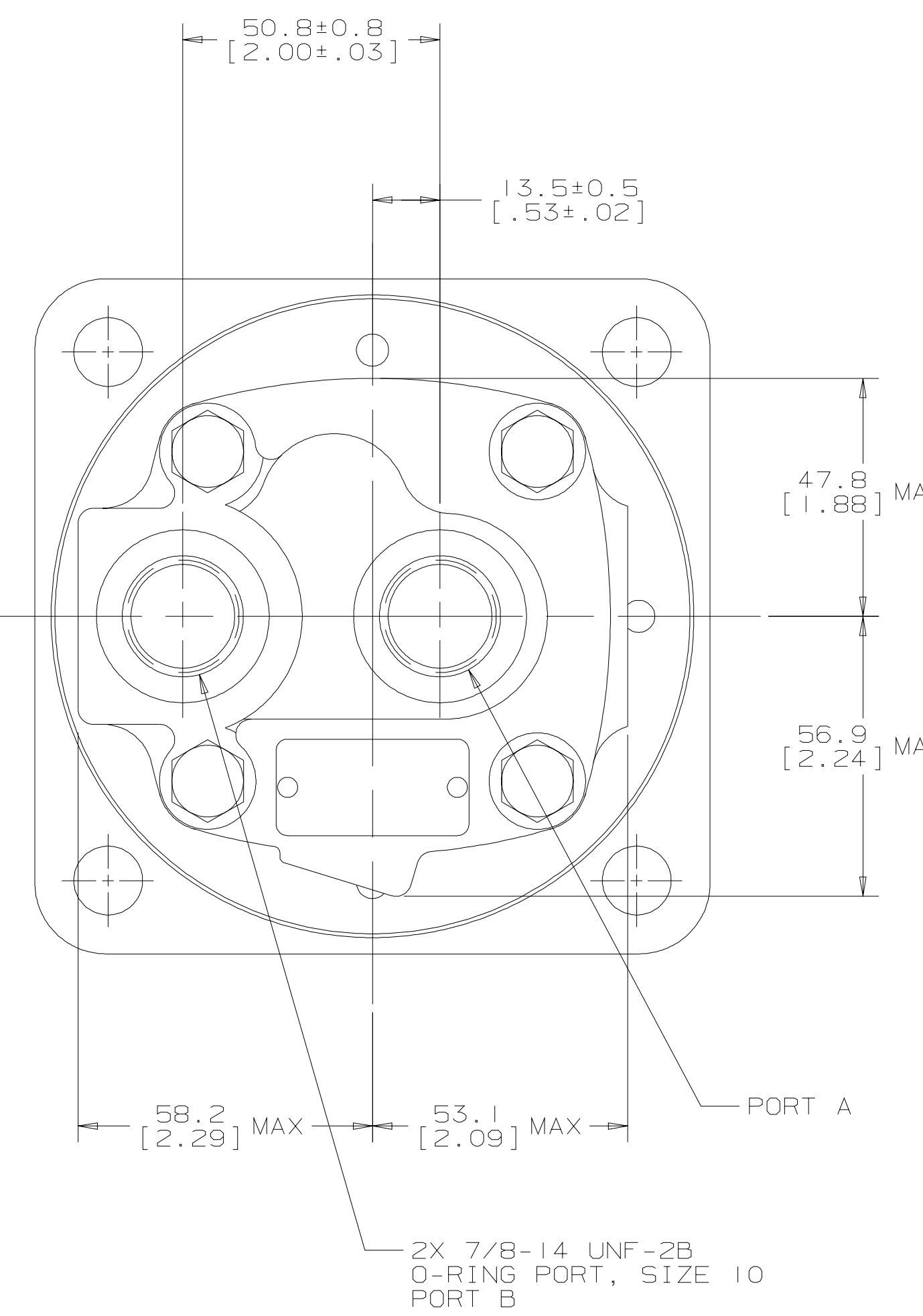


REV	DESCRIPTION	BY	CHK	DATE	ECN
A	ENGINEERING RELEASE	SMM		07-31-02	M28554



SECTION B-B



- NOTE
- ROTATION:
 - STANDARD: WHEN FACING SHAFT END OF MOTOR, SHAFT TO ROTATE: CLOCKWISE WHEN PORT "A" IS PRESSURIZED COUNTERCLOCKWISE WHEN PORT "B" IS PRESSURIZED
 - REVERSE: WHEN FACING SHAFT END OF MOTOR, SHAFT TO ROTATE: COUNTERCLOCKWISE WHEN PORT "B" IS PRESSURIZED CLOCKWISE WHEN PORT "A" IS PRESSURIZED
 - DISPLACEMENT: 15
252.8 cm³/r [15.43 in³/r]
 - MOUNTING TYPE: AM
WHEEL, 4 BOLT: Ø 108.0 [4.25] PILOT
Ø 13.59 [.535] HOLES ON Ø 147.6 [5.8] BOLT CIRCLE
Ø 120.7 [4.75] REAR MOUNT PILOT
 - SHAFT OPTION: 98
Ø 41.28 [1.625] TAPERED WITH 11.112 [.4375] SO X
31.75 [1.250] STRAIGHT KEY, 1 1/4-18 UNEF-2A THREAD
WITH SLOTTED HEX NUT
 - PORT OPTION: BA
7/8-14 UNF-2B SAE O-RING PORTS - PORT B RECESSED 11.4 [.45]
FROM PORT A - END PORTS - CAST BOSS REMOVED
 - CASE FLOW OPTION: 06
NO LEAKAGE SLOTS, Ø 4.1 [.16] CASE DRAIN HOLE IN WEAR PLATE

G K S

UNLESS OTHERWISE SPECIFIED ALL DIMENSIONS ARE IN		DRAWING BASED ON ANSI Y14.5M-1982	
INCHES <input type="checkbox"/>	MILLIMETERS <input checked="" type="checkbox"/>	THE REPRODUCTION, DISTRIBUTION, AND UTILIZATION OF THIS DOCUMENT, AS WELL AS THE COMMUNICATION OF ITS CONTENTS TO OTHERS WITHOUT EXPLICIT AUTHORIZATION IS PROHIBITED. OFFENDERS WILL BE HELD LIABLE FOR THE PAYMENT OF DAMAGES. ALL RIGHTS RESERVED IN THE EVENT OF THE GRANT OF A PATENT, UTILITY MODEL OR DESIGN (PER ISO 16016)	
TOLERANCES			
.X	----	DRN BY/DATE SMM 08-05-02	MATERIAL/HEAT TREAT
.XX	----	CHEK BY/DATE AGJ 08-12-02	
.XXX	----	ENGR BY/DATE RTH 08-12-02	TITLE
<	----	METALLURGY BY/DATE	4000 COMPACT SERIES MOTOR INSTALLATION
UNSPECIFIED DRAFT ANGLES ARE		THIRD ANGLE PROJECTION	NUMBER
			167-0047-001
DRAWING FORMAT CAD <input checked="" type="checkbox"/> MANUAL <input type="checkbox"/>	DO NOT SCALE	ARITHMETICAL AVERAGE	SCALE 1/1 SHEET 1 OF 1