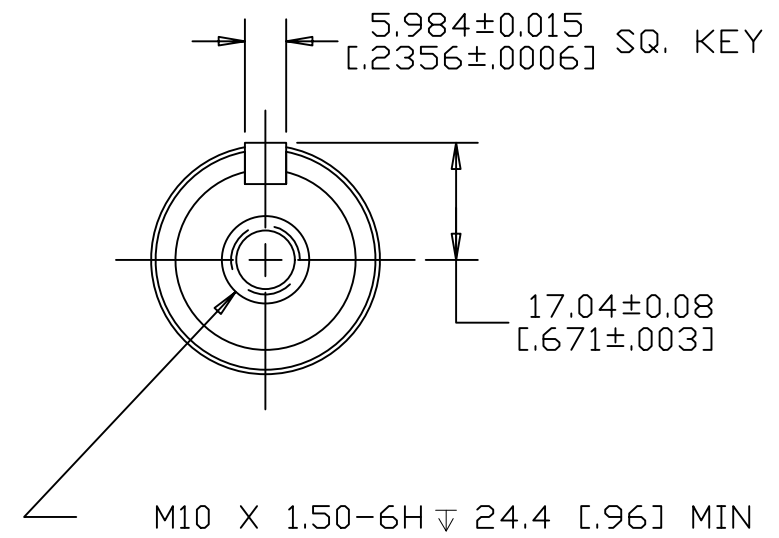
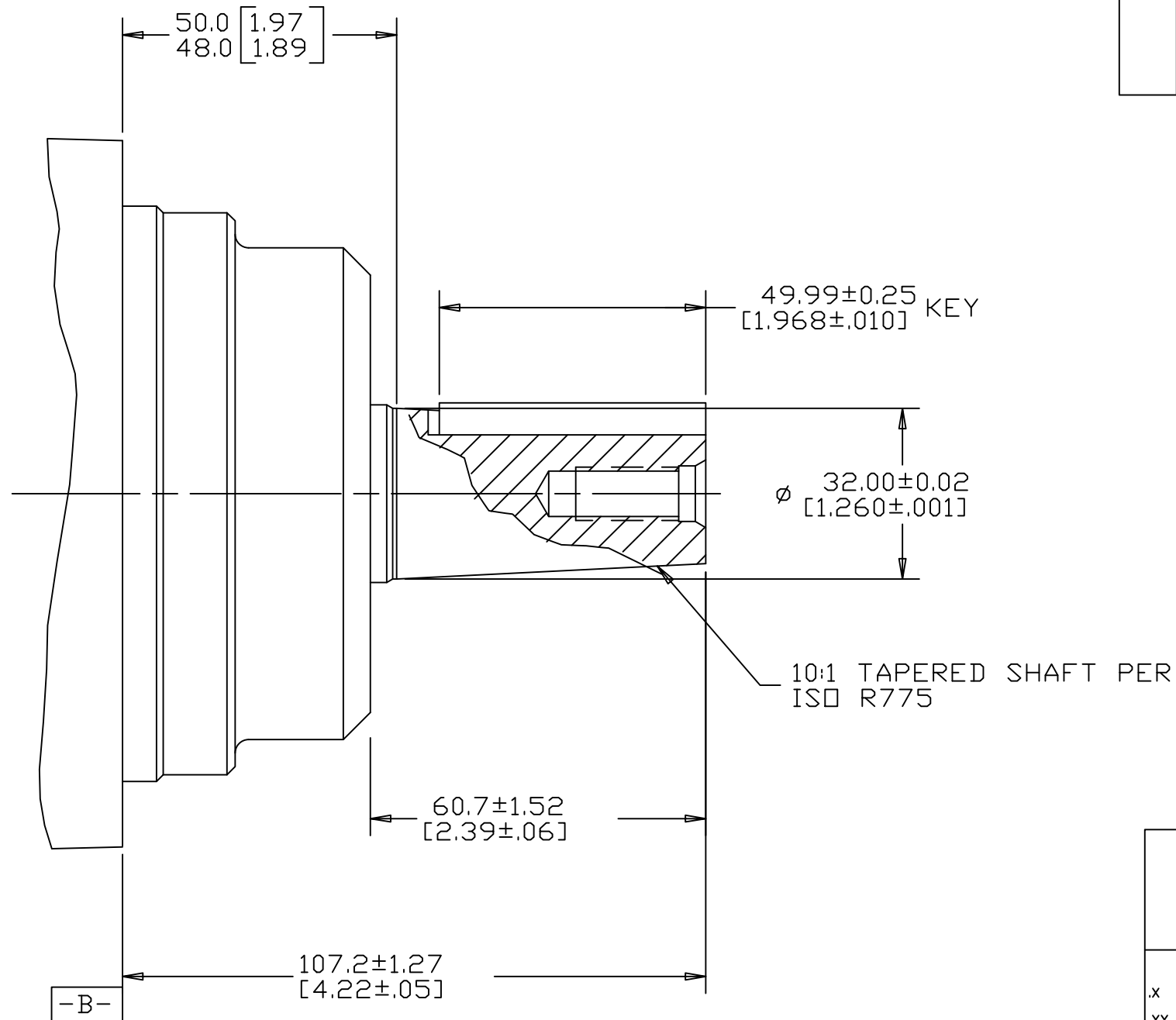


REV	DESCRIPTION	BY	CHK	DATE	ECN
A	ENGINEERING RELEASE	RAF		11-3-99	M22274A
B	REVISED	SJT		02-06-21	0128785



G K S

NOTE

- 1 MOUNTING TYPE: OPTION AB OR AM
- 2 OUTPUT SHAFT: OPTION 45

UNLESS OTHERWISE SPECIFIED ALL DIMENSIONS ARE IN INCHES <input type="checkbox"/> MILLIMETERS (INCHES) <input checked="" type="checkbox"/>	DRAWING BASED ON ANSI Y14.5M-1982	
	THE REPRODUCTION, DISTRIBUTION, AND UTILIZATION OF THIS DOCUMENT, AS WELL AS THE COMMUNICATION OF ITS CONTENTS TO OTHERS WITHOUT EXPLICIT AUTHORIZATION IS PROHIBITED. OFFENDERS WILL BE HELD LIABLE FOR THE PAYMENT OF DAMAGES. ALL RIGHTS RESERVED IN THE EVENT OF THE GRANT OF A PATENT, UTILITY MODEL, OR DESIGN. (PER ISO 16016)	
TOLERANCES .X ± ---- .XX ± ---- .XXX ± ---- < ± ----	DRAWN BY/DATE RAF 11-3-99 CHECKED BY/DATE AGJ 11-4-99	MATERIAL/HEAT TREAT
UNSPECIFIED RADII ARE ----	ENGRG BY/DATE TRF 11-4-99 METALLURGY BY/DATE	TITLE 4000 COMPACT SERIES MOTOR SHAFT INSTALLATION
UNSPECIFIED DRAFT ANGLES ARE ----	THIRD ANGLE PROJECTION	MICROINCHES <input type="checkbox"/> MICROMETERS (MICROINCHES) <input type="checkbox"/> ARITHMETICAL AVERAGE <input checked="" type="checkbox"/>
DRAWING FORMAT CADD <input checked="" type="checkbox"/> MANUAL <input type="checkbox"/>	DO NOT SCALE	NUMBER A-1330-045 SCALE 1/1 SHEET 1 OF