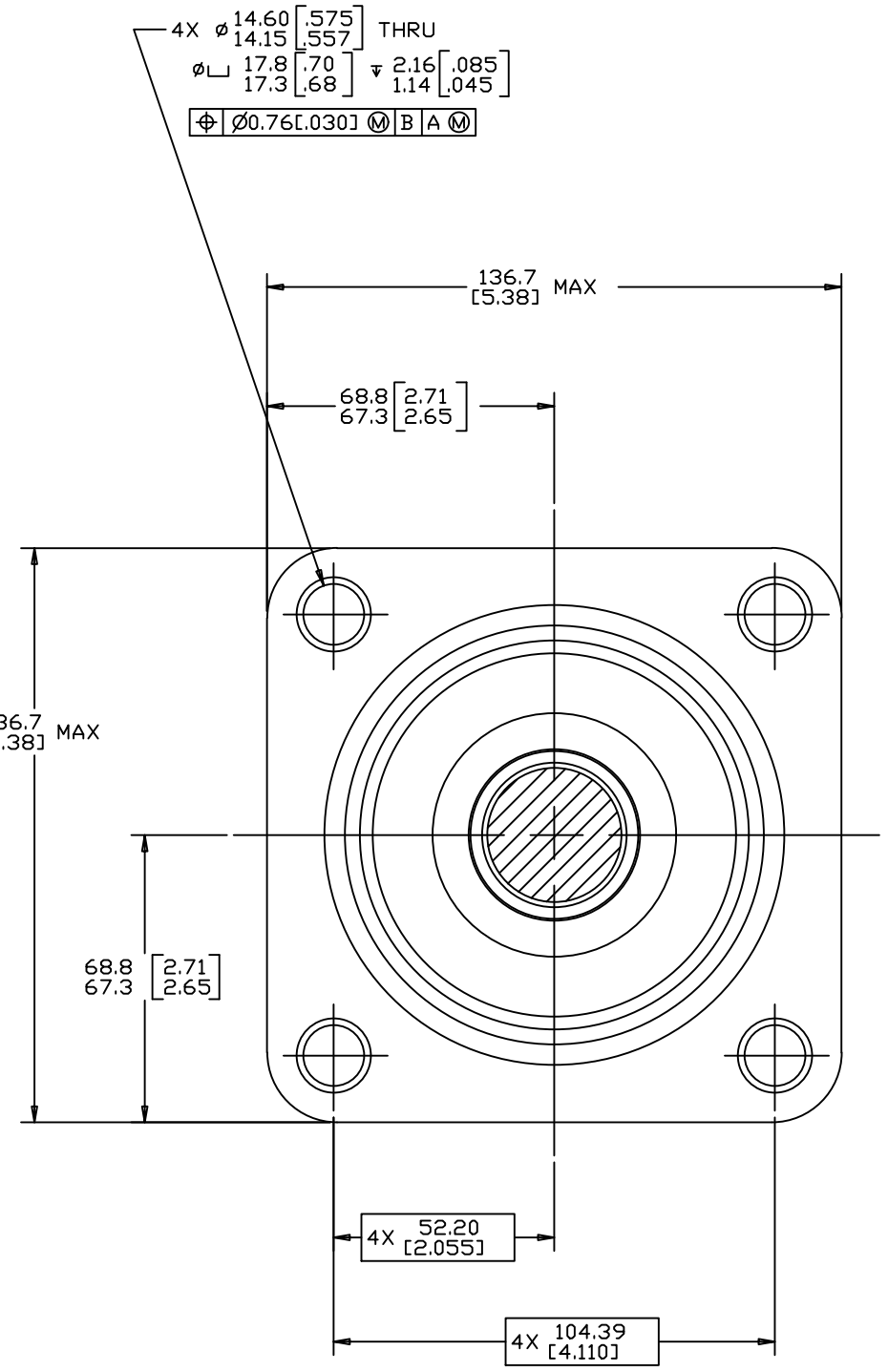
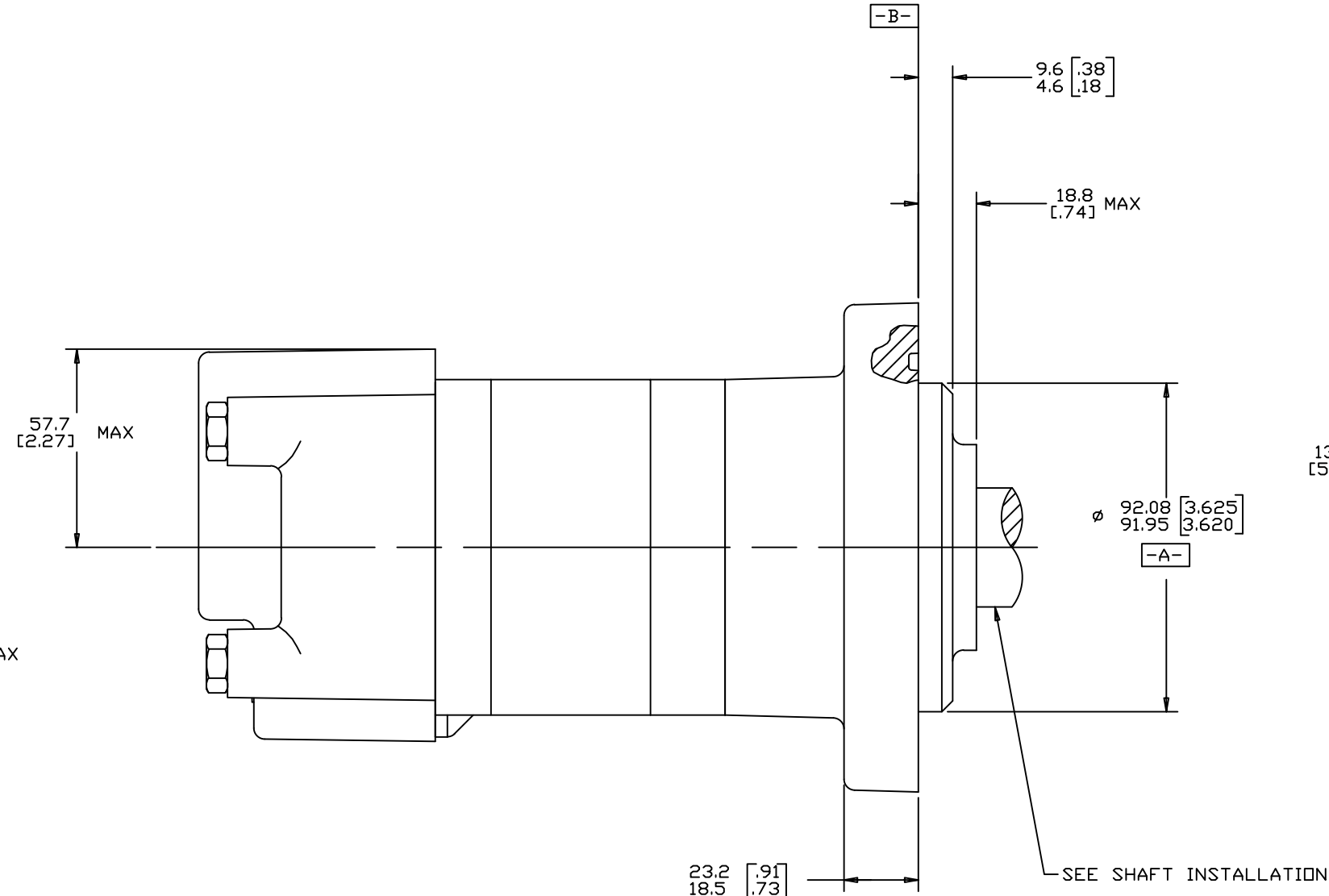
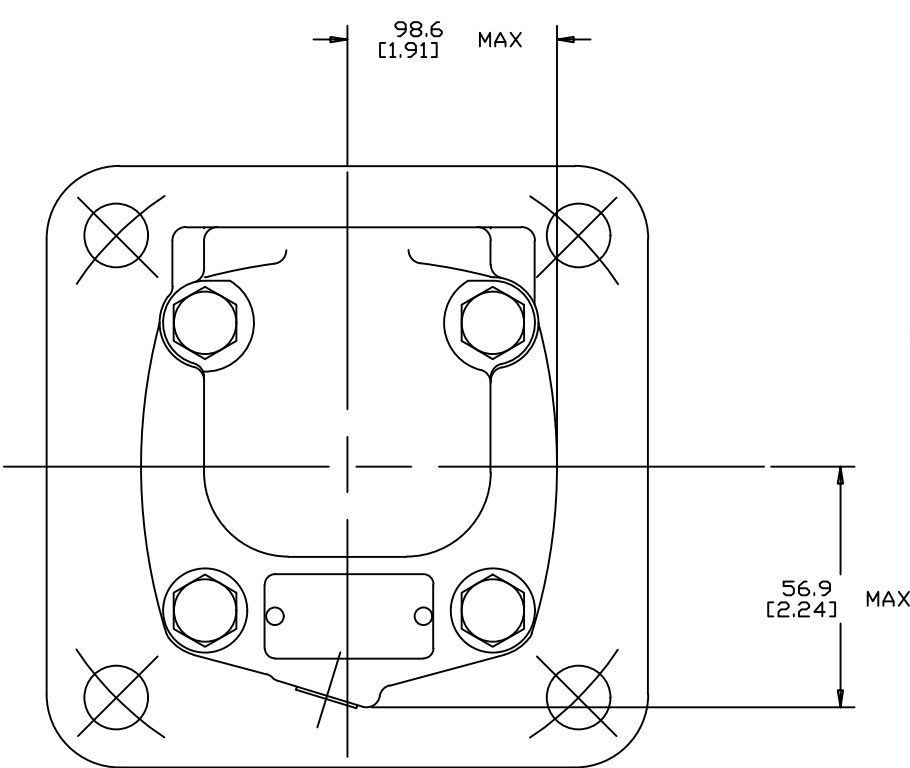
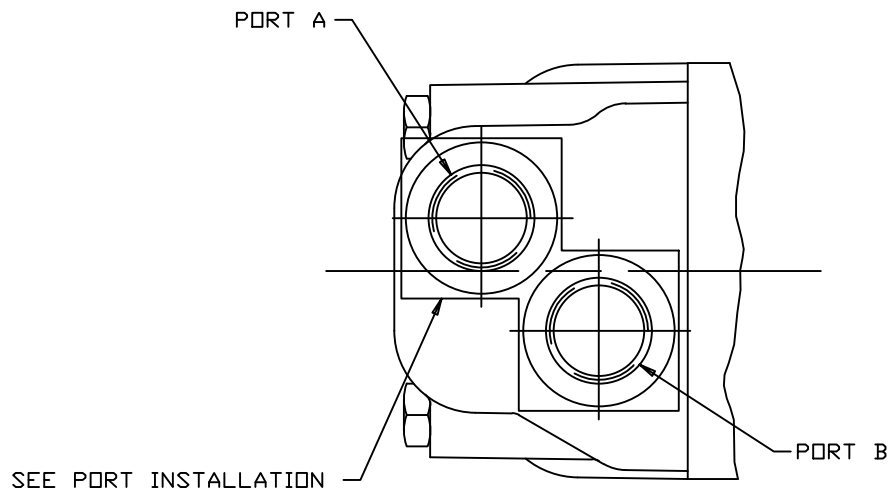


REV	DESCRIPTION	BY	CHK	DATE	ECN
A	ENGINEERING RELEASE	AGJ		7-29-98	M20136
B	(5A)NOTE 2, MOUNTING CODE "AG" WAS CODE "G"	RAF		12-18-98	M20963
C	(1A)(2B) REVISE TITLE BLOCK	SSP	VVH	02-24-23	0139446



4X  $\varnothing$  14.60 [0.575] THRU  
 $\varnothing$  14.15 [0.557]  
 $\varnothing$  17.8 [0.70]  $\nabla$  2.16 [0.085]  
 $\varnothing$  17.3 [0.68] 1.14 [0.045]  
 $\varnothing$  0.76 [0.030] M B A

NOTE  
 1 ROTATION:  
 STANDARD: WHEN FACING SHAFT END OF MOTOR, SHAFT TO ROTATE;  
 CLOCKWISE WHEN PORT "A" IS PRESSURIZED  
 COUNTERCLOCKWISE WHEN PORT "B" IS PRESSURIZED  
 REVERSE: WHEN FACING SHAFT END OF MOTOR, SHAFT TO ROTATE;  
 CLOCKWISE WHEN PORT "B" IS PRESSURIZED  
 COUNTERCLOCKWISE WHEN PORT "A" IS PRESSURIZED  
 2 MOUNTING TYPE: AG  
 WHEEL (SHORT), 4 BOLT;  $\varnothing$  91.9 [3.62] PILOT  
 $\varnothing$  14.35 [0.565] HOLES ON  $\varnothing$  147.6 [5.81] BOLT CIRCLE  
 WITH O-RING GROOVE TO ACCEPT ARP-242 O-RING

REVIEWED FOR CLASSIFICATION PER ESP-042 G K S

DRAWING BASED ON ANSI Y14.5M-1982

UNLESS OTHERWISE SPECIFIED ALL DIMENSIONS ARE IN INCHES  MILLIMETERS

TOLERANCES  
 X ± ----  
 XX ± REF  
 XXX ± ONLY

UNSPECIFIED RADI ARE ----  
 UNSPECIFIED DRAFT ANGLES ARE ----  
 DRAWING FORMAT CAD  MANUAL

THE REPRODUCTION, DISTRIBUTION, AND UTILIZATION OF THIS DOCUMENT, AS WELL AS THE COMMUNICATION OF ITS CONTENTS TO OTHERS WITHOUT EXPLICIT AUTHORIZATION IS PROHIBITED. OFFENDERS WILL BE HELD LIABLE FOR THE PAYMENT OF DAMAGES. ALL RIGHTS RESERVED IN THE EVENT OF THE GRANT OF A PATENT, UTILITY MODEL, OR DESIGN. (PER ISO 10016)

BRN BY/DATE AGJ 8-31-98  
 CHCKD BY/DATE  
 ENGR BY/DATE  
 METALLRGY BY/DATE

MATERIAL/HEAT TREAT  
 TITLE  
 4000 COMPACT SERIES MOTOR INSTALL

NUMBER  
 A-1329-003

THIRD ANGLE PROJECTION  
 DD NDT SCALE  
 ARITHMETICAL AVERAGE  
 SCALE 1/1 SHEET 1 OF 1