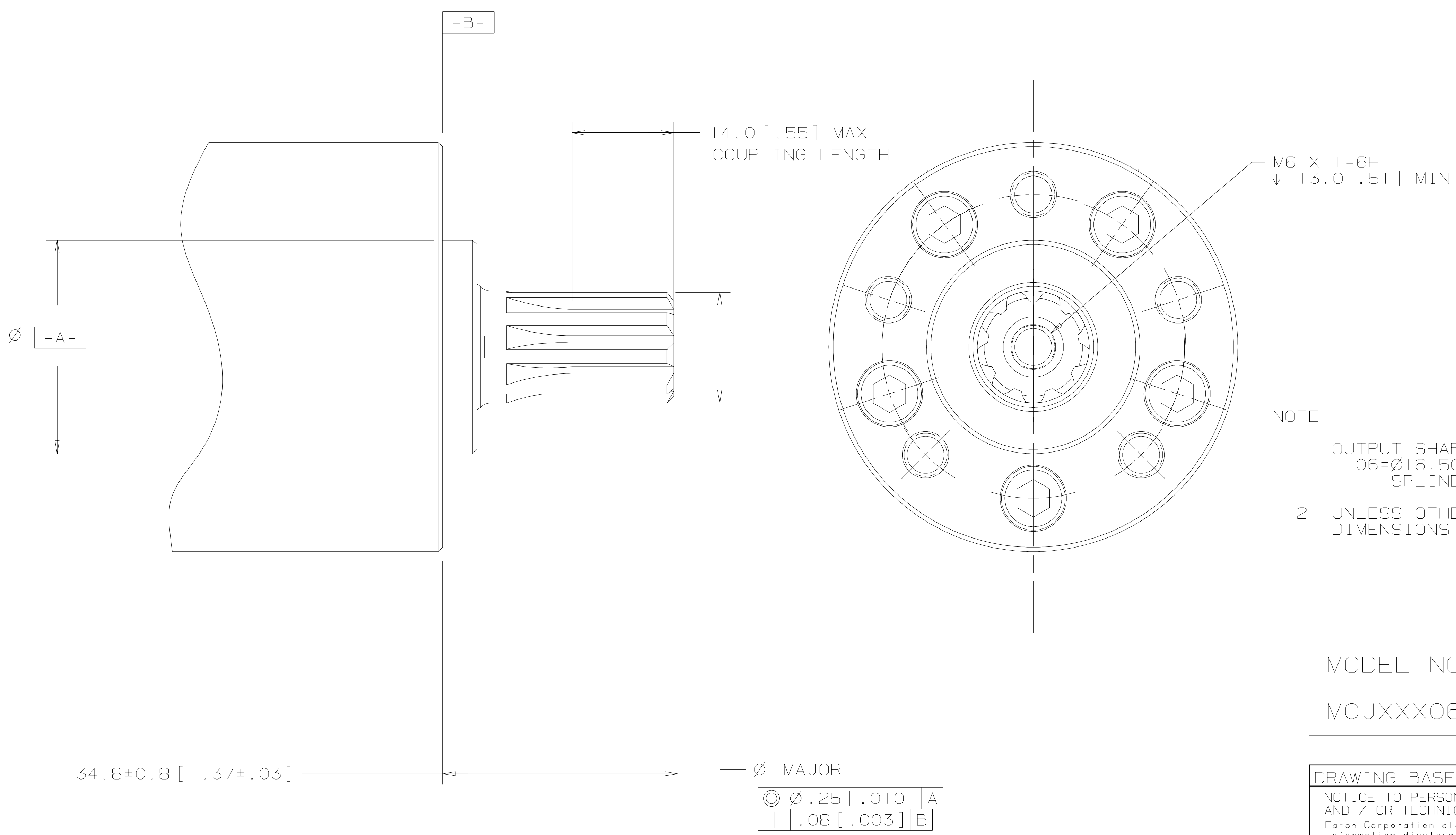

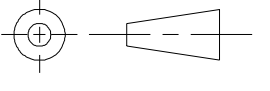


SYM	REVISION	BY	DATE	ECN
A	RELEASE FOR SAMPLES AND ESTIMATE	MA	2-15-91	X5218
C	1)REVISED 2)ENGINEERING RELEASE	MA	7-22-91	20855
D	(2C)M6X1-6H ∇ 13.0[.51]MIN WAS M6X1-6H ∇ 9.9[.39]MIN	AGJ	2-25-92	21800
E	(1B)...B17 X 14 DIN 5482 WAS ...A17 X 14 DIN 5482	JMS	5-4-99	32822
F	(4A)34.8 \pm 0.8 [1.37 \pm .03] WAS 35.1 \pm 1.0 [1.38 \pm .04]	JSB	3-27-08	ECR-8713



DRAWING BASED ON ANSI Y14.5M-1982	
NOTICE TO PERSONS RECEIVING THIS DRAWING AND / OR TECHNICAL INFORMATION	
Eaton Corporation claims proprietary rights in the information disclosed hereon. This document is issued in confidence and is not to be reproduced or used to manufacture anything shown hereon without the written permission of the Eaton Corporation.	
	
DRAWN BY/DATE MA 2-19-91	MATERIAL/HEAT TREAT
CHECKED BY/DATE DGS 3-28-91	
ENGRG BY/DATE OJ 3-26-91	TITLE SHAFT INSTALLATION J MOTOR
DO NOT SCALE	
THIRD ANGLE  PROJECTION	NUMBER A-270-006
	SCALE 2/1 SIZE SHEET 1 OF 1