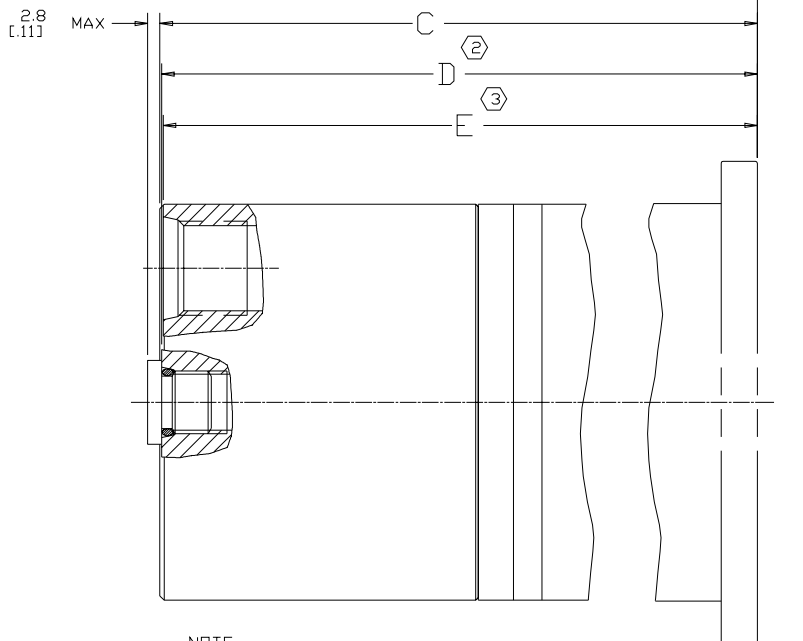
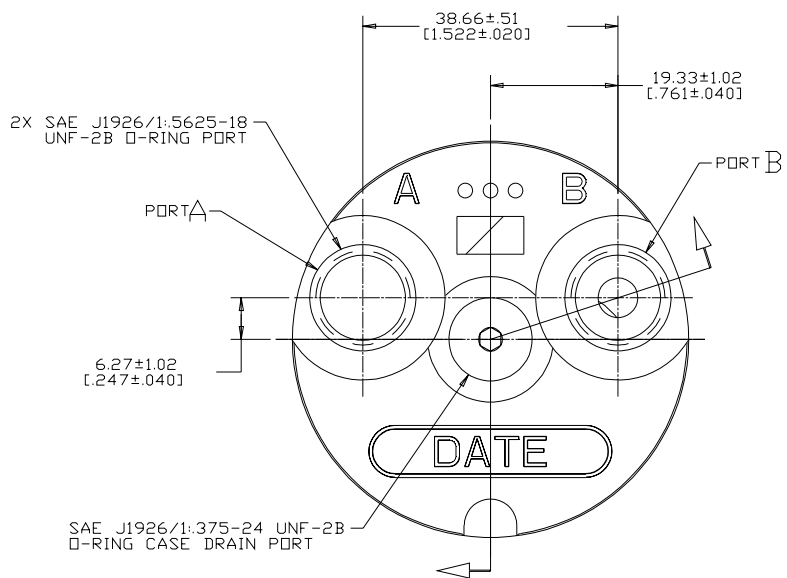


DISPL CODE	D	E	C MAX
05	105.79±1.14 [4.165±.045]	105.66±1.14 [4.160±.045]	107.95 [4.250]
08	108.86±1.14 [4.286±.045]	108.74±1.14 [4.281±.045]	111.02 [4.371]
10	111.10±1.14 [4.374±.045]	110.97±1.14 [4.369±.045]	113.26 [4.459]
12	113.31±1.14 [4.461±.045]	113.18±1.14 [4.456±.045]	115.47 [4.546]
19	120.95±1.14 [4.762±.045]	120.83±1.14 [4.757±.045]	123.11 [4.847]
30	132.31±1.14 [5.209±.045]	132.18±1.14 [5.204±.045]	134.47 [5.294]

REV	DESCRIPTION	BY	DATE	ECN
A	ENGINEERING RELEASE	RAF	1-23-96	27675
B	<4>ADDED DISPL CODE 30	GCB	5-6-96	M15295
C	-1><4>ADDED DISP CODE 10 TO TABULATION BLOCK -2>REVISED PICTORIALY -3>REVISED TABULATION BLOCK -4>REVISED DIMENSIONS AS PER STACK UP -5>DRAWING UPDATED TO ASME Y14.5-2009 STANDARD	YUP	03-27-15	0062470



- NOTE
- 1 PORT TYPE A
 - 2 DIMENSION TAKEN FROM .375-24 UNF-2B O-RING PORT
 - 3 DIMENSION TAKEN FROM .5625-18 UNF-2B O-RING PORT

REVIEWED FOR CLASSIFICATION PER ESP -042

UNLESS OTHERWISE SPECIFIED ALL DIMENSIONS ARE IN		DRAWING BASED ON ASME Y14.5-2009	
INCHES <input type="checkbox"/>	MILLIMETERS <input checked="" type="checkbox"/>	THE REPRODUCTION, DISTRIBUTION, AND UTILIZATION OF THIS DOCUMENT, AS WELL AS THE COMMUNICATION OF ITS CONTENTS TO OTHERS WITHOUT EXPLICIT AUTHORIZATION IS PROHIBITED. OFFENDERS WILL BE HELD LIABLE FOR THE PAYMENT OF DAMAGES. ALL RIGHTS RESERVED IN THE EVENT OF THE GRANT OF A PATENT, UTILITY MODEL, OR DESIGN (PER ISO 15016)	
TOLERANCES			
x ± ----	xx ± REF		
xxx ± ONLY	✓ ± ----	DRAWN BY/DATE RAF 2-9-96	MATERIAL/HEAT TREAT
UNSPECIFIED RADI ARE	UNSPECIFIED DRAFT ANGLES ARE	CHECKED BY/DATE SDR 2-21-96	TITLE
-----	-----	ENGRG BY/DATE RVA 2-22-96	J2 MOTOR PORT INSTALLATION
-----	-----	METALLURGY BY/DATE	NUMBER
-----	-----	THIRD ANGLE PROJECTION	A-818-034
D SIZE	DO NOT SCALE	ARITHMETICAL AVERAGE	SCALE 2/1 SHEET 1 OF 1