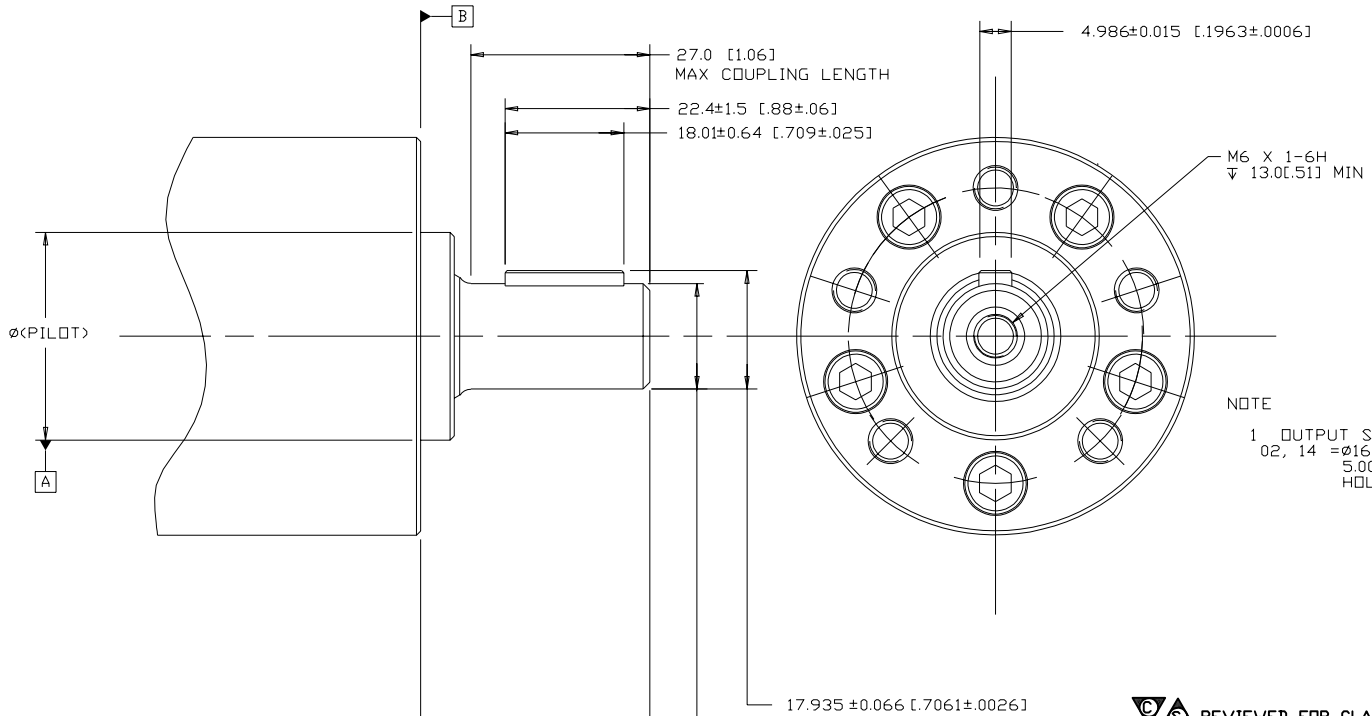


REV	DESCRIPTION	BY	CHK	DATE	ECN / MPS
A	RELEASE FOR SAMPLES AND ESTIMATES	MA		2-15-91	X5218
C	1)REVISED 2)ENGINEERING RELEASE	MA		7-22-91	20855
D	(2C)M6X1-6H ∇ 13.0[.51] MIN WAS M6X1-6H ∇ 9.9[.39] MIN	AGJ		2-25-92	21800
E	(4A)34.8 \pm 0.8 [1.37 \pm .03] WAS 35.1 \pm 1.0 [1.38 \pm .04]	JSB		3-27-08	ECR-8713
F	-1)(4A)35.0 \pm 0.8 [1.38 \pm .03] WAS 34.8 \pm 0.8 [1.37 \pm .03] -2)(3C)MAX COUPLING LENGTH WAS 26.2 [1.03] -3)DRAWING UPDATED TO ASME Y14.5-2009 STANDRAD -4)(2B)REMOVED MODEL CODE - M0JXX... -5)(2B)REMOVED NOTE 2 UNLESS OTHERWISE SPECIFIED..... -6)(2B) NOTE 1 WAS OUTPUT SHAFT 02 = \varnothing 16.00.....	CSG		1-27-14	M91725



NOTE
1 OUTPUT SHAFT:
02, 14 = \varnothing 16.00[.630] STRAIGHT WITH STRAIGHT
5.00[.197] SQ KEY AND M6-1 THREADED
HOLE

CS REVIEWED FOR CLASSIFICATION PER ESP-042

UNLESS OTHERWISE SPECIFIED ALL DIMENSIONS ARE IN INCHES		DRAWING BASED ON ASME Y14.5-2009	
MILLIMETERS (INCHES)	<input type="checkbox"/>	EATON CORPORATION - CONFIDENTIAL AND PROPRIETARY NOTICE TO PERSONS RECEIVING THIS DRAWING AND / OR TECHNICAL INFORMATION	
TOLERANCES	<input checked="" type="checkbox"/>	THIS DOCUMENT INCLUDING THE DRAWING AND INFORMATION CONTAINED THEREIN IS CONFIDENTIAL AND IS THE EXCLUSIVE PROPERTY OF EATON CORPORATION AND IS NOT TO BE REPRODUCED OR TRANSMITTED IN ANY FORM OR BY ANY MEANS, ELECTRONIC OR MECHANICAL, INCLUDING PHOTOCOPYING, RECORDING, OR BY ANY INFORMATION STORAGE AND RETRIEVAL SYSTEM, WITHOUT THE WRITTEN PERMISSION OF EATON CORPORATION. ANY UNAUTHORIZED REPRODUCTION OR TRANSMISSION OF THIS DOCUMENT IS STRICTLY PROHIBITED. EATON CORPORATION, 14615 LONE OAK ROAD, EDEN PRairie, MN 55344 USA	
.X ± ---		DRAWN	MA
.XX ± ---		BY/DATE	2-15-91
.XXX ± ---		CHECKED	DGS
± .X		BY/DATE	3-28-91
UNSPECIFIED RADII ARE:		ENGRG	DJ
		BY/DATE	3-26-91
UNSPECIFIED DRAFT ANGLES ARE:		METALLURGY	---
		BY/DATE	---
		MATERIAL/HEAT TREAT	---
		TITLE	J MOTOR SHAFT INSTALLATION
		NUMBER	A-270-002
		SCALE	2/1 SHEET 1 OF 1
		THIRD ANGLE PROJECTION	<input checked="" type="checkbox"/>
		ARTHEMETICAL AVERAGE	<input checked="" type="checkbox"/>
		C SIZE	DO NOT SCALE