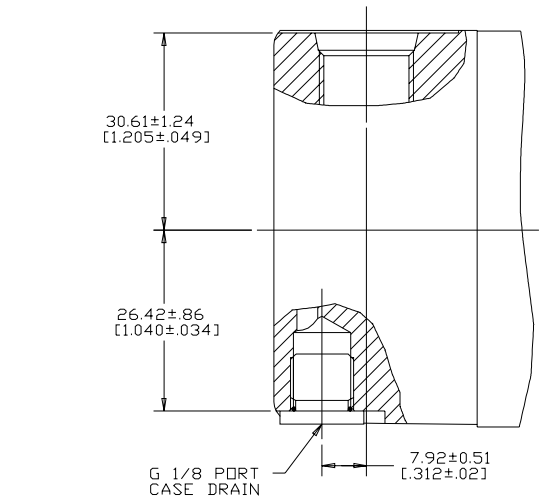
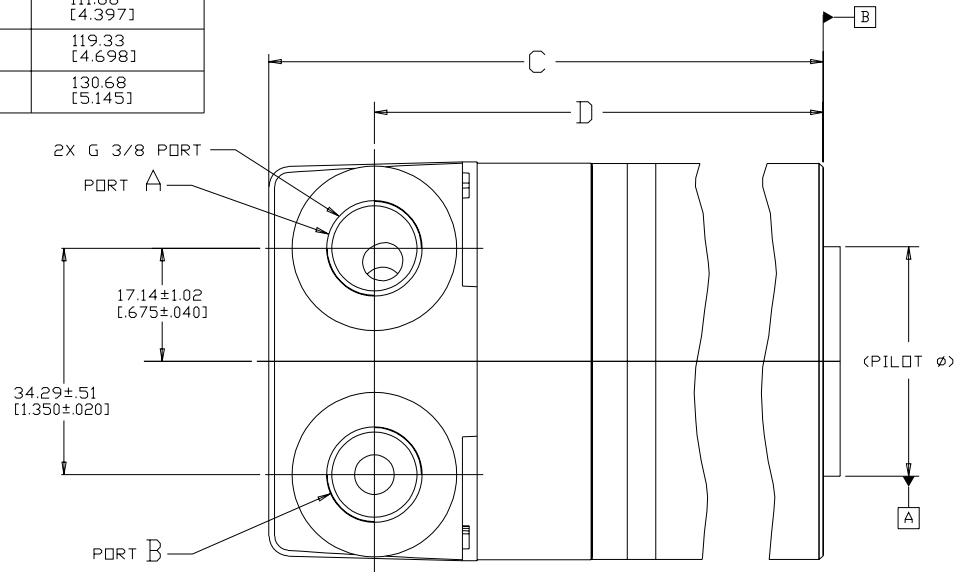


DISPL CODE	D	C MAX
05	87.10±0.81 [3.429±.032]	104.17 [4.101]
08	91.17±0.81 [3.550±.032]	107.24 [4.222]
10	92.41±0.81 [3.638±.032]	109.47 [4.310]
12	94.62±0.81 [3.725±.032]	111.68 [4.397]
19	102.26±0.81 [4.026±.032]	119.33 [4.698]
30	113.61±0.81 [4.473±.032]	130.68 [5.145]

REV	DESCRIPTION	BY	CHK	DATE	ECN
A	ENGINEERING RELEASE	RAF		1-23-96	27675
B	<4D>ADDED DISPLACEMENT CODE 30	RAF		2-26-96	M15000
C	-1<4D>REVISED TABULATED VALUES FOR D AND C -2<DRAWING UPDATED TO ASME Y14.5-2009 STANDARD	JVDCSG		02-05-15	M95526
D	-1<3C><3B><3A><2C> REVISED PICTORIALY -2<DIMENSIONS REVISED FOR STACK-UP -3<4D>ADDED DISPLACEMENT CODE 10	YUP	YUP	03-27-15	0062470



NOTE  
1 PORT TYPE E

UNLESS OTHERWISE SPECIFIED ALL DIMENSIONS ARE IN		DRAWING BASED ON ASME Y14.5-2009	
INCHES <input type="checkbox"/>	MILLIMETERS <input checked="" type="checkbox"/>	THE REPRODUCTION, DISTRIBUTION, AND UTILIZATION OF THIS DOCUMENT, AS WELL AS THE COMMUNICATION OF ITS CONTENTS TO OTHERS WITHOUT EXPLICIT AUTHORIZATION IS PROHIBITED. OFFENDERS WILL BE HELD LIABLE FOR THE PAYMENT OF DAMAGES. ALL RIGHTS RESERVED IN THE EVENT OF THE GRANT OF A PATENT, UTILITY MODEL, OR DESIGN. (PER ISO 16016)	
TOLERANCES			
x ± ----	xx ± REF		
xxx ± ONLY	BY DATE	DRAWN BY/DATE RAF 2-9-96	
∠ ----	BY DATE	CHECKED BY/DATE SDR 2-22-96	
UNSPECIFIED RADI ARE	BY DATE	ENGRG BY/DATE RVA 2-22-96	
UNSPECIFIED DRAFT ANGLES ARE	BY DATE	MATERIAL/HEAT TREAT	
D SIZE	DD NOT SCALE	TITLE	
THIRD ANGLE PROJECTION	ARITHMETICAL AVERAGE	J2 MOTOR PORT INSTALLATION	
SCALE 2/1	SHEET 1 OF 1	NUMBER	
		A-818-029	