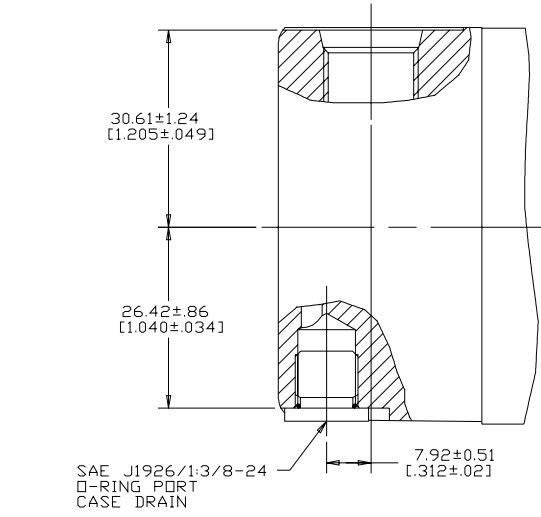
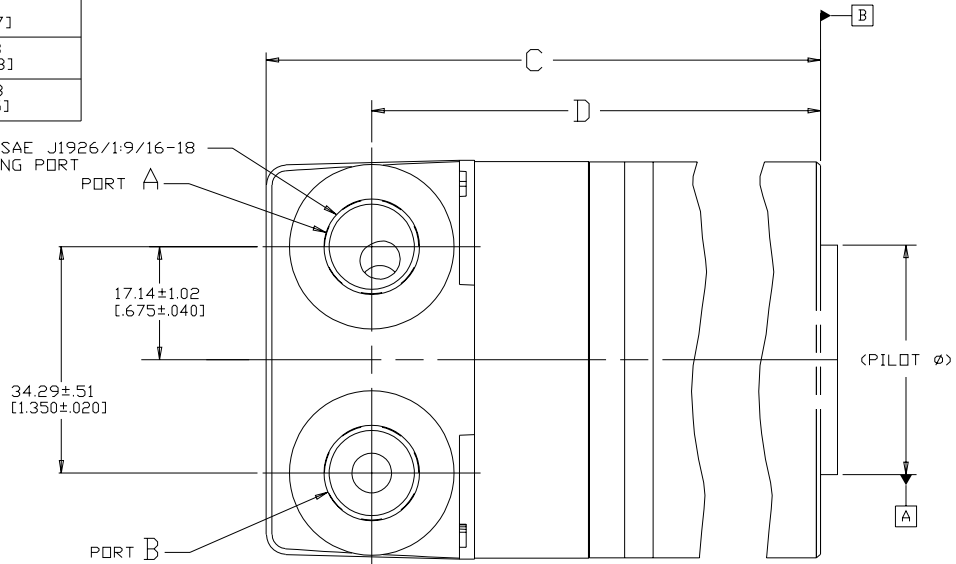


DISPL CODE	D	C MAX
05	87.09±0.81 [3.429±.032]	104.17 [4.101]
08	90.2±0.81 [3.55±.032]	107.24 [4.222]
10	92.41±0.81 [3.638±.032]	109.47 [4.310]
12	94.62±0.81 [3.725±.032]	111.68 [4.397]
19	102.26±0.81 [4.026±.032]	119.33 [4.698]
30	113.61±0.81 [4.473±.032]	130.68 [5.145]

REV	DESCRIPTION	BY	CHK	DATE	ECN
A	ENGINEERING RELEASE	RAF		1-23-96	27675
D	REVISED	SSD		08-16-10	M79810
E	-1>REVISED AS PER STACK-UP -2>DRAWING UPDATED TO ASME Y14.5-2009 STANDARD	SB		04-21-15	0063485
F	-1>(3C)(3B)(3A)(2C) REVISED PICTORIALY -2>DIMENSIONS REVISED FOR STACK-UP	YUP	YUP	03-27-15	0062470



NOTE
1 PORT TYPE D

CS REVIEWED FOR CLASSIFICATION PER ESP-042

UNLESS OTHERWISE SPECIFIED ALL DIMENSIONS ARE IN		DRAWING BASED ON ASME Y14.5-2009	
INCHES	<input type="checkbox"/>	EATON CORPORATION - CONFIDENTIAL AND PROPRIETARY NOTICE TO PERSONS RECEIVING THIS DRAWING AND / OR TECHNICAL INFORMATION	
MILLIMETERS (INCHES)	<input checked="" type="checkbox"/>	THIS DOCUMENT INCLUDING THE DRAWING AND INFORMATION CONTAINED THEREIN IS CONFIDENTIAL AND IS THE EXCLUSIVE PROPERTY OF EATON CORPORATION, AND IS HEREBY SO LEASED AND SUBJECT TO REGAL BY EATON AT ANY TIME BY TAKING POSSESSION OF THIS DOCUMENT, THE RECIPIENT ACKNOWLEDGES AND AGREES THAT THIS DOCUMENT IS TO BE USED ONLY FOR THE PURPOSES AND IN THE INTERESTS OF EATON, AND THAT NO PORTION OF THIS DOCUMENT MAY BE COPIED OR OTHERWISE REPRODUCED WITHOUT THE PRIOR WRITTEN CONSENT OF EATON. IN THE CASE OF CONFLICTING CONTRACTUAL PROVISIONS, THIS NOTICE SHALL GOVERN THE STATUS OF THIS DOCUMENT. COPYRIGHT 2008 EATON CORPORATION - ALL RIGHTS RESERVED.	
TOLERANCES		 Powering Business Worldwide Eaton Hydraulics LLC 14615 Lone Oak Road Eden Prairie, MN 55344 USA	
x ± ----		DRAWN BY/DATE RAF 2-9-96	MATERIAL/HEAT TREAT
xx ± REF		CHECKED BY/DATE SDR 2-21-96	
xxx ± ONLY		ENGRG BY/DATE RVA 2-22-96	TITLE
∠ ----		METALLURGY	J2 MOTOR PORT INSTALLATION
UNSPECIFIED RADI ARE			NUMBER
UNSPECIFIED DRAFT ANGLES ARE			A-818-028
C SIZE	DO NOT SCALE	THIRD ANGLE PROJECTION	SCALE 2/1 SHEET 1 OF 1
		ARITHMETICAL AVERAGE	