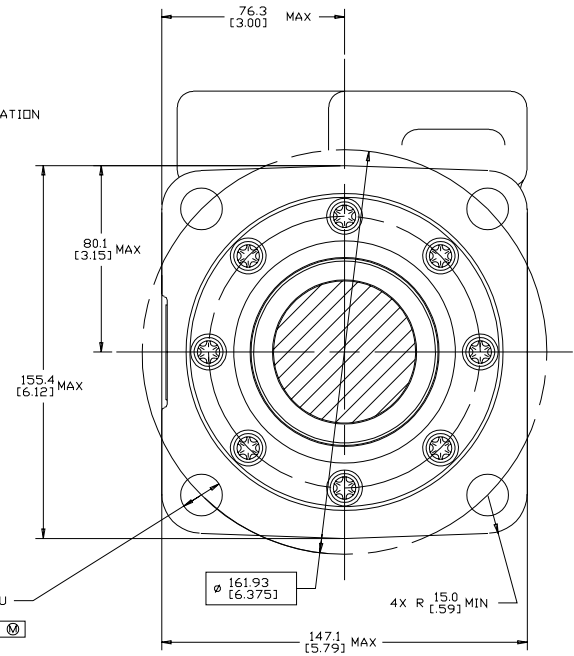
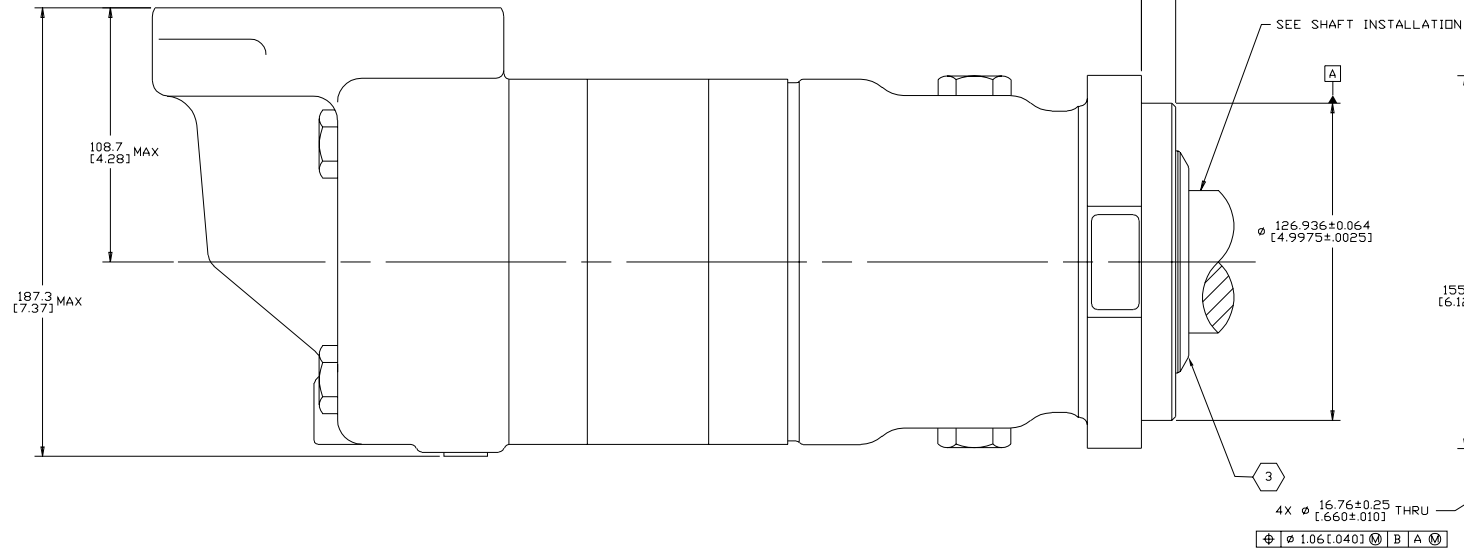
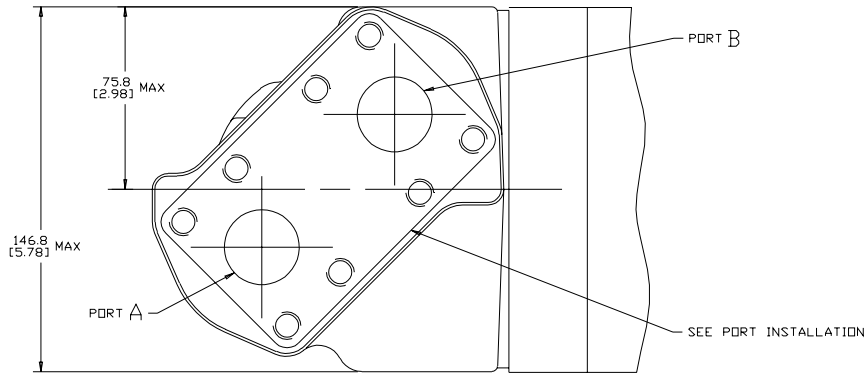


REV	DESCRIPTION	BY	DATE	ECN
A	ENGINEERING RELEASE	KJR	6-28-94	25183
B	66A MOUNTING TYPE WAS "A"	JSB	4-17-07	0004973
C	REVISED DIMENSION AS PER STACK UP	SMT	3-21-11	M81633
D	-1>ADDED NOTE (3) -2>DRAWING UPDATED TO ASME Y14.5-2009 STANDARD	ABH	4-09-15	M96323



NOTE

- 1 ROTATION:
 STANDARD: WHEN FACING SHAFT END OF MOTOR, SHAFT TO ROTATE:
 CLOCKWISE WHEN PORT "A" IS PRESSURIZED
 COUNTERCLOCKWISE WHEN PORT "B" IS PRESSURIZED
 REVERSE: WHEN FACING SHAFT END OF MOTOR, SHAFT TO ROTATE:
 CLOCKWISE WHEN PORT "B" IS PRESSURIZED
 COUNTERCLOCKWISE WHEN PORT "A" IS PRESSURIZED
- 2 MOUNTING TYPE: AA
 STANDARD, 4 BOLT, $\phi 127.0 [5.00]$ PILOT, $\phi 16.76 [6.60]$ HOLES
 ON $\phi 161.93 [6.375]$ BOLT CIRCLE.

3 APPLICABLE FOR SEAL GUARD OPTION

REVIEWED FOR CLASSIFICATION PER ESP-042

UNLESS OTHERWISE SPECIFIED, DIMENSIONS ARE IN INCHES <input checked="" type="checkbox"/> MILLIMETERS <input type="checkbox"/>		DRAWING BASED ON ASME Y14.5-2009	
TOLERANCES		THE REPRODUCTION, DISTRIBUTION AND UTILIZATION OF THIS DOCUMENT, AS WELL AS THE COMMUNICATION OF ITS CONTENTS TO OTHERS WITHOUT EXPRESS AUTHORIZATION IS PROHIBITED. OFFENDERS WILL BE HELD LIABLE FOR THE PAYMENT OF DAMAGES. ALL RIGHTS RESERVED IN THE EVENT OF A PATENT, UTILITY MODEL, OR DESIGN. (PER ISO 9000)	
XX 1	DRAWN BY DATE	MATERIAL/HEAT TREAT	
XX 4	CHECKED BY DATE	10,000 SERIES MOTOR INSTALL	
UNSPECIFIED RADI ARE	ENGINE BY DATE	TITLE	
UNSPECIFIED DRAFT ANGLES ARE	METALLURGY BY DATE	10,000 SERIES MOTOR INSTALL	
THIRD ANGLE PROJECTION	DO NOT SCALE	MICROFINISHES <input type="checkbox"/> NUMBER	
D SIZE	DO NOT SCALE	SCALE 1/1 SHEET 1 OF 1	

Donfoss

A-828-002