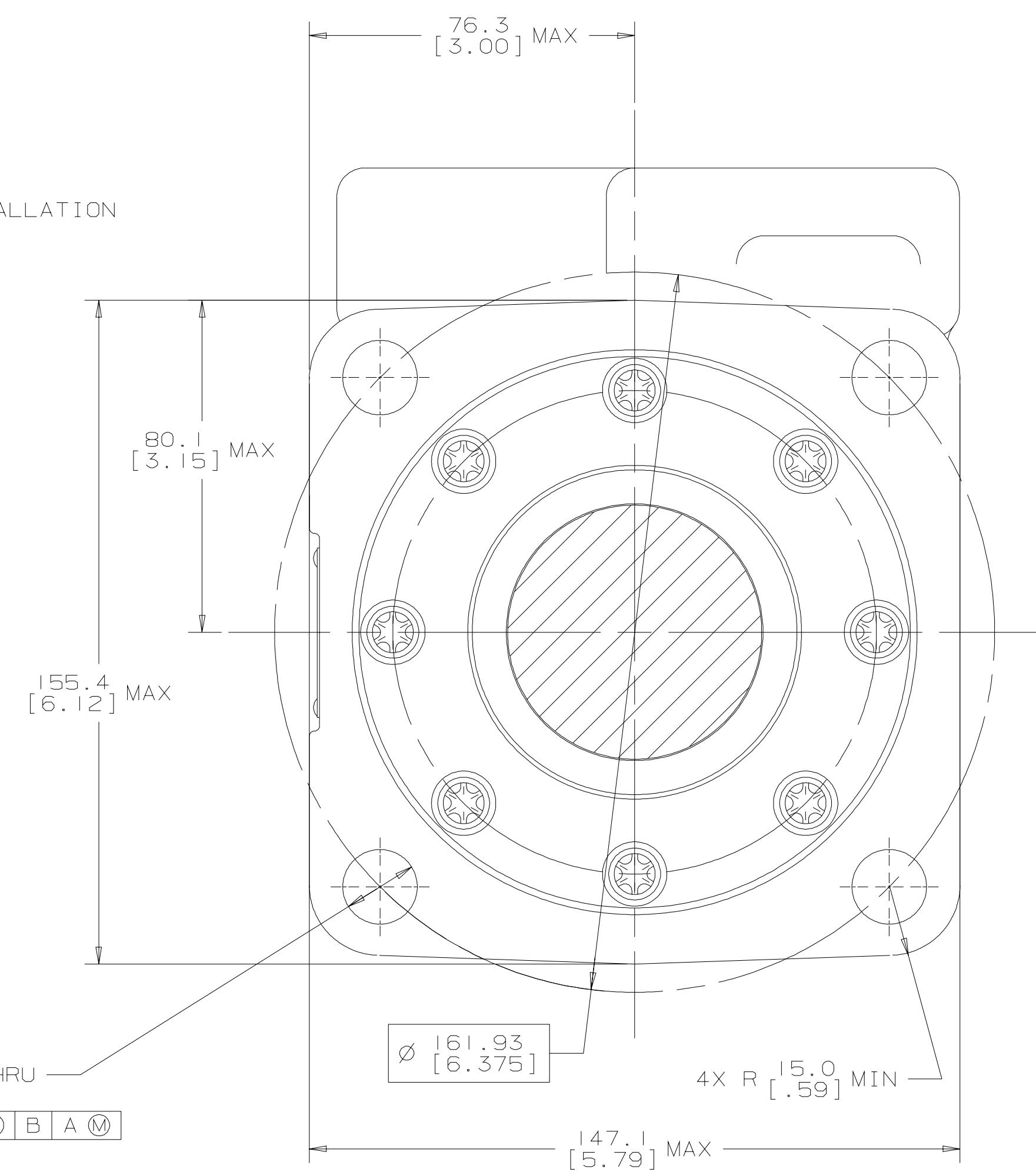
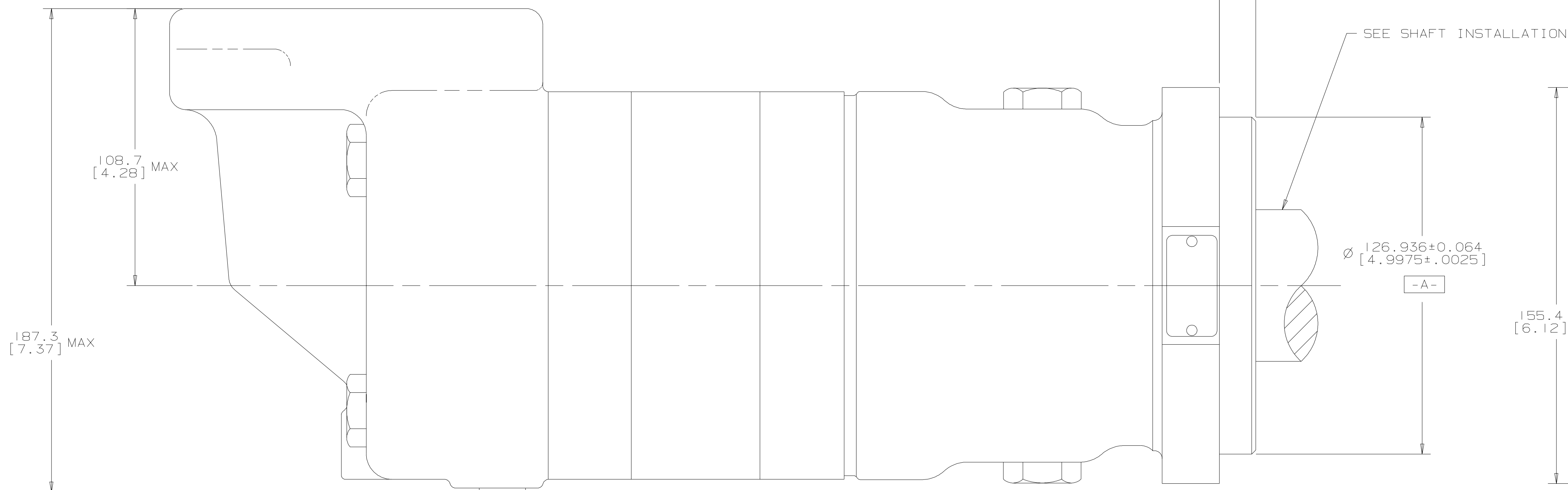
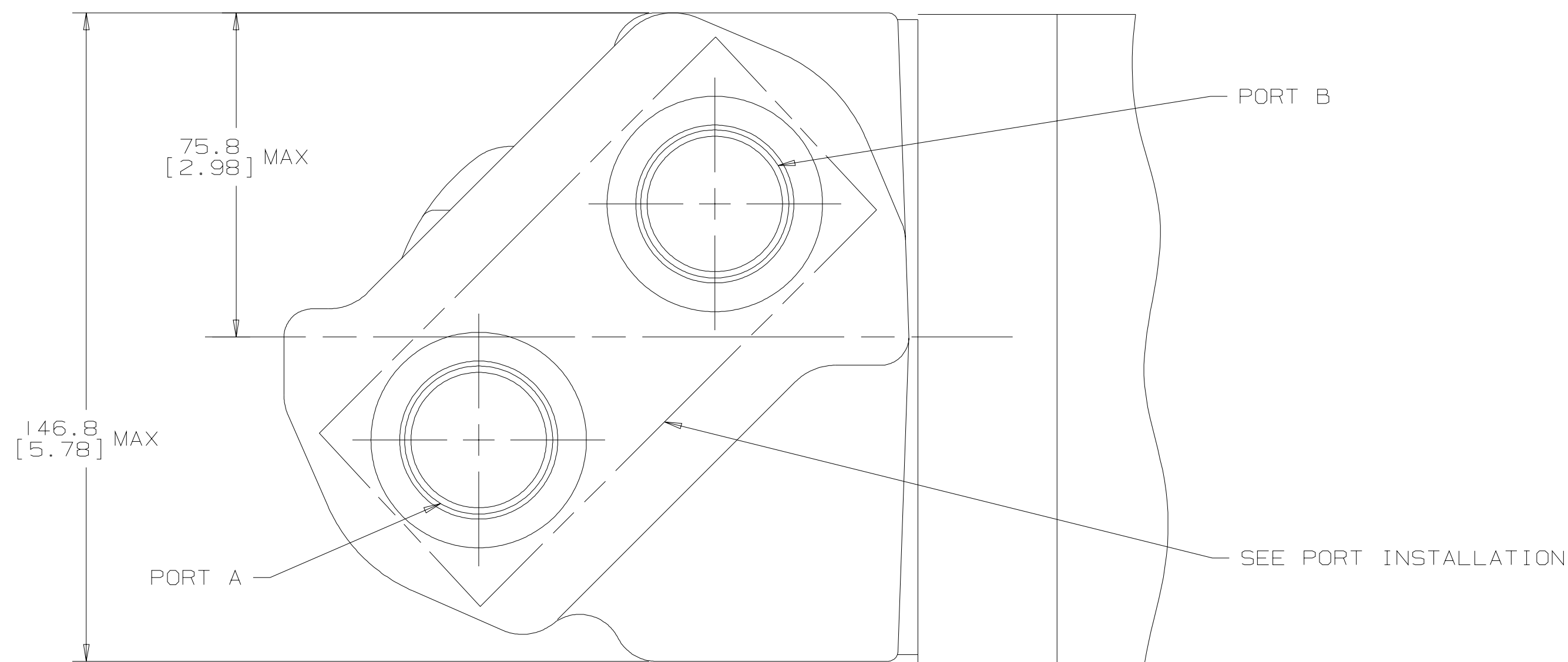


REV	DESCRIPTION	BY	DATE	ECN
A	ENGINEERING RELEASE	KJR	6-28-94	25183
B	(6A) MOUNTING TYPE WAS "A"	JSB	4-17-07	0004973
C	REVISED	VBH	6-23-09	M71199B



4X $\varnothing 16.76 \pm 0.25 [0.660 \pm .010]$ THRU
 $\varnothing 1.06 [.040] \text{ M B A M}$

NOTE

- ROTATION:
 STANDARD: WHEN FACING SHAFT END OF MOTOR, SHAFT TO ROTATE: CLOCKWISE WHEN PORT "A" IS PRESSURIZED COUNTERCLOCKWISE WHEN PORT "B" IS PRESSURIZED
 REVERSE: WHEN FACING SHAFT END OF MOTOR, SHAFT TO ROTATE: COUNTERCLOCKWISE WHEN PORT "B" IS PRESSURIZED CLOCKWISE WHEN PORT "A" IS PRESSURIZED
- MOUNTING TYPE: AA
 STANDARD: 4 BOLT: $\varnothing 127.0 [5.00]$ PILOT, $\varnothing 16.76 [.660]$ HOLES ON $\varnothing 161.93 [6.375]$ BOLT CIRCLE.

REVIEWED FOR CLASSIFICATION PER ESP-042

UNLESS OTHERWISE SPECIFIED ALL DIMENSIONS ARE IN INCHES		DRAWING BASED ON ANSI Y14.5M-1982	
MILLIMETERS <input checked="" type="checkbox"/>		EATON CORPORATION - CONFIDENTIAL AND PROPRIETARY NOTICE TO PERSONS RECEIVING THIS DRAWING AND / OR TECHNICAL INFORMATION	
TOLERANCES		THIS DOCUMENT, INCLUDING THE DRAWING AND INFORMATION CONTAINED THEREIN, IS CONFIDENTIAL AND IS THE SOLE PROPERTY OF EATON CORPORATION AND IS TO BE KEPT IN CONFIDENTIALITY SUBJECT TO LOCAL BY-LAW AT ALL TIMES. BY MAKING POSSESSION OF THIS DOCUMENT, YOU AGREE TO THE TERMS AND CONDITIONS OF THIS DOCUMENT. IN THE CASE OF CONFLICTING CONDITIONS, THIS NOTICE SHALL GOVERN THE STATUS OF THIS DOCUMENT. COPYRIGHT 2008 EATON CORPORATION - ALL RIGHTS RESERVED.	
.X ±	DRAIN KJR BY/DATE 2-28-94	MATERIAL/HEAT TREAT	Eaton Hydraulics Inc. 14615 Lone Oak Road Eden Prairie, MN 55344 USA
.XX ± REF	CHECKED BY/DATE	TITLE	
.XXX ± ONLY	UNSPECIFIED RADIUS ARE:	10,000 SERIES MOTOR INSTALLATION	
∠ ± °	UNSPECIFIED DRAFT ANGLES ARE:	NUMBER	
∠ ± °	THIRD ANGLE PROJECTION	A-828-001	
D SIZE	DO NOT SCALE	SCALE 1/1	SHEET 1 OF 1