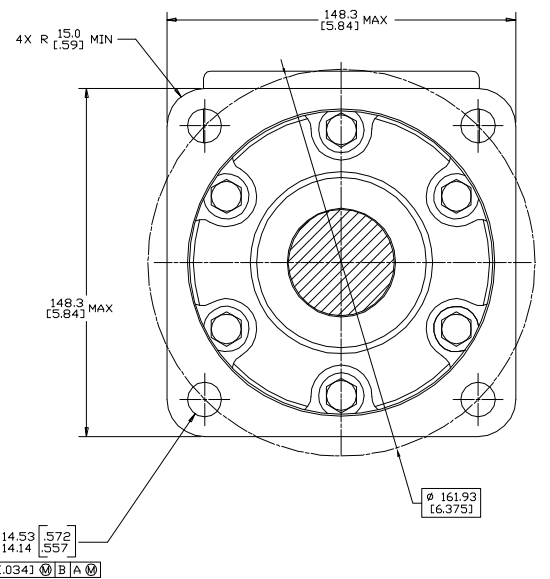
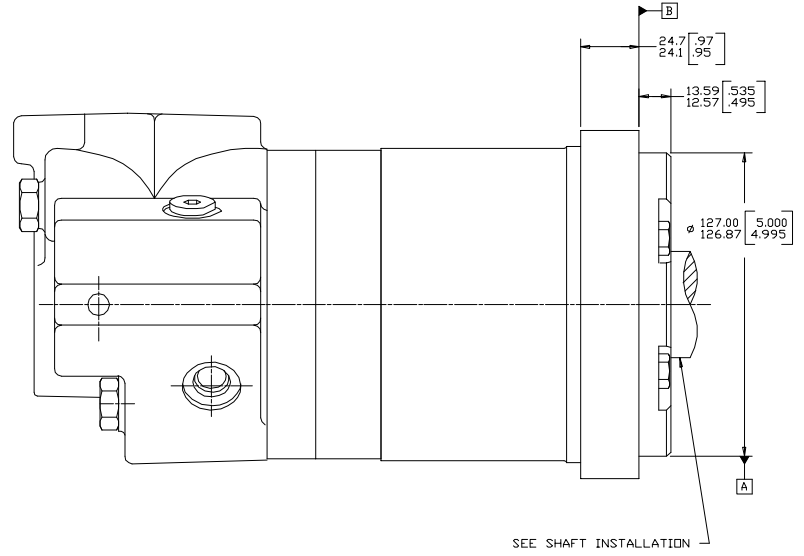
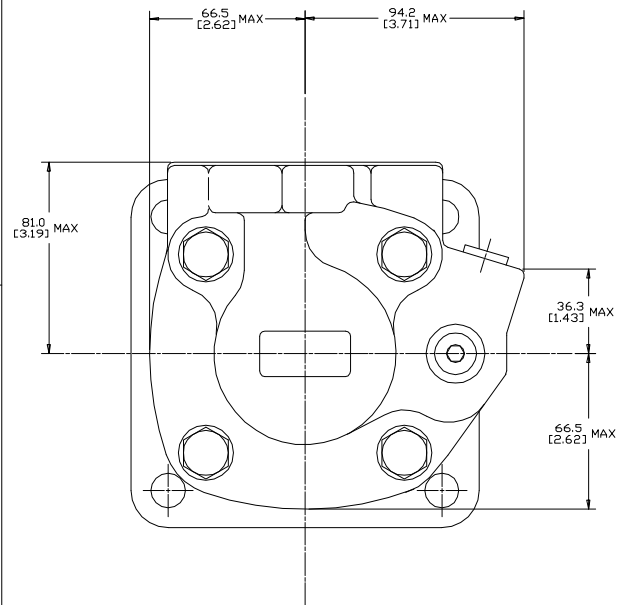
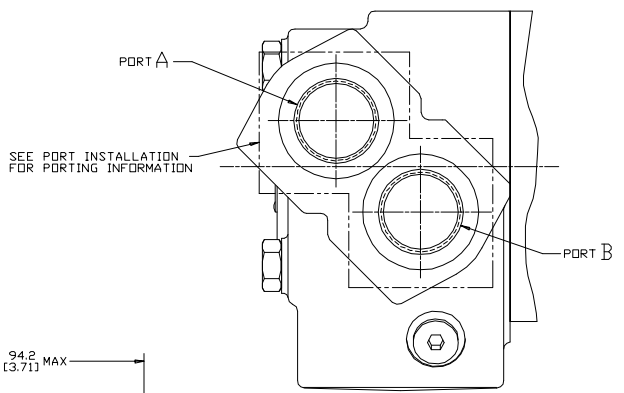


REV	DESCRIPTION	BY	CHK	DATE	ECN
A	ENGINEERING RELEASE	RAF		8-20-95	M14044
B	(4A) MOUNTING TYPE WAS 'B'	SSD		12-11-86	0001664
C	-1)REVISED DIMS AS PER ASSEMBLY STACK UP IN RIGHT HAND SIDE VIEW AND LEFT HAND SIDE VIEW -2)DRAWING UPDATED TO ASME Y14.5M-1994 STANDARD	CSG		12-04-13	N88198



4X  $\phi$  14.53 [0.572] / 14.14 [0.557]

$\phi$  161.93 [6.375]

$\phi$  127.00 [5.000] / 126.87 [4.995]

NOTE

1 ROTATION

STANDARD; WHEN FACING SHAFT END OF MOTOR, SHAFT TO ROTATE: CLOCKWISE WHEN PORT 'A' IS PRESSURIZED COUNTERCLOCKWISE WHEN PORT 'B' IS PRESSURIZED

REVERSE; WHEN FACING SHAFT END OF MOTOR, SHAFT TO ROTATE: COUNTERCLOCKWISE WHEN PORT 'B' IS PRESSURIZED CLOCKWISE WHEN PORT 'A' IS PRESSURIZED

2 MOUNTING TYPE: AB

STANDARD, [SAE CC], 4 BOLT;  $\phi$  127.0 [5.00] PILOT  $\phi$  14.35 [0.565] HOLES DN  $\phi$  162.0 [6.38] BOLT CIRCLE

**REVIEWED FOR CLASSIFICATION PER ESP-042**

UNLESS OTHERWISE SPECIFIED ALL DIMENSIONS ARE IN INCHES

DRAWING BASED ON ASME Y14.5M-1994

THE REPRODUCTION, DISTRIBUTION AND UTILIZATION OF THIS DOCUMENT AS WELL AS THE COMMUNICATION OF ITS CONTENTS TO OTHERS WITHOUT EXPRESS AUTHORIZATION IS PROHIBITED. OFFICERS WILL BE HELD LIABLE FOR THE PAYMENT OF DAMAGES. ALL RIGHTS RESERVED IN THE EVENT OF THE GRANT OF A PATENT, UTILITY MODEL, OR DESIGN (PER ISO 1019)

**Danfoss**

UNLESS OTHERWISE SPECIFIED ALL DIMENSIONS ARE IN INCHES DIMS <input type="checkbox"/> METERS <input type="checkbox"/> TOLERANCES X - - - - XX * REF XXX * ONLY	DRAWN: RAF 9-1-95 CHECKED BY: DATE ENGRS. BY: DATE METALLURGY BY: DATE	MATERIAL/HEAT TREAT 6000 SERIES MOTOR INSTALL
UNSPECIFIED RAZE ARE UNSPECIFIED DRAFT ANGLES ARE	TITLE 6000 SERIES MOTOR INSTALL	MICRODOTS (UNLESS OTHERWISE SPECIFIED) THIRD ANGLE PROJECTION D SIZE DO NOT SCALE METRIC/AVERAGE
NUMBER A-1013-005		SCALE 1/1 SHEET 1 OF 1