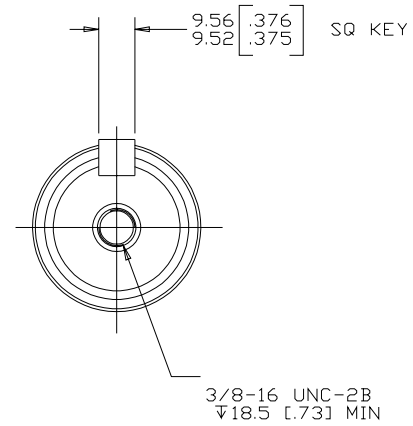


REV	DESCRIPTION	BY	CHK	DATE	ECN
A	ENGINEERING RELEASE	RAF		8-30-95	M14044
B	MOUNTING TYPE WAS 'B' AND 'E'	AMM		12-11-06	0001664
C	78.2/75.7[3.08/2.98] WAS 78.6/75.8 [3.10/2.98]-2 UPDATED TO ASME Y14.5-2009 STANDARD	NRI		07-18-09	0018332



NOTE

- 1 MOUNTING TYPE: OPTION AB AND AE
- 2 OUTPUT SHAFT: OPTION 01

REVIEWED FOR CLASSIFICATION PER ESP-042

UNLESS OTHERWISE SPECIFIED ALL DIMENSIONS ARE IN INCHES <input type="checkbox"/> MILLIMETERS <input checked="" type="checkbox"/>	DRAWING BASED ON ASME Y14.5-2009	
	THE REPRODUCTION, DISTRIBUTION, AND UTILIZATION OF THIS DOCUMENT, AS WELL AS THE COMMUNICATION OF ITS CONTENTS TO OTHERS WITHOUT EXPLICIT AUTHORIZATION IS PROHIBITED. OFFENDERS WILL BE HELD LIABLE FOR THE PAYMENT OF DAMAGES. ALL RIGHTS RESERVED IN THE EVENT OF THE GRANT OF A PATENT, UTILITY MODEL, OR DESIGN. (PER ISO 18016)	
TOLERANCES	DRAWN BY/DATE RAF 9-7-95	MATERIAL/HEAT TREAT
.x ± ----	CHECKED BY/DATE	TITLE 6000 SERIES MOTOR SHAFT INSTALLATION
.xx ± REF	ENGRG BY/DATE	
.xxx ± ONLY	METALLURGY BY/DATE	NUMBER A-1020-001
< ± ----	THIRD ANGLE PROJECTION	SCALE 1/1
UNSPECIFIED RADII ARE ----	DO NOT SCALE	SHEET 1 OF 1
UNSPECIFIED DRAFT ANGLES ARE ----	ARITHMETICAL AVERAGE	
B SIZE		

Danfoss