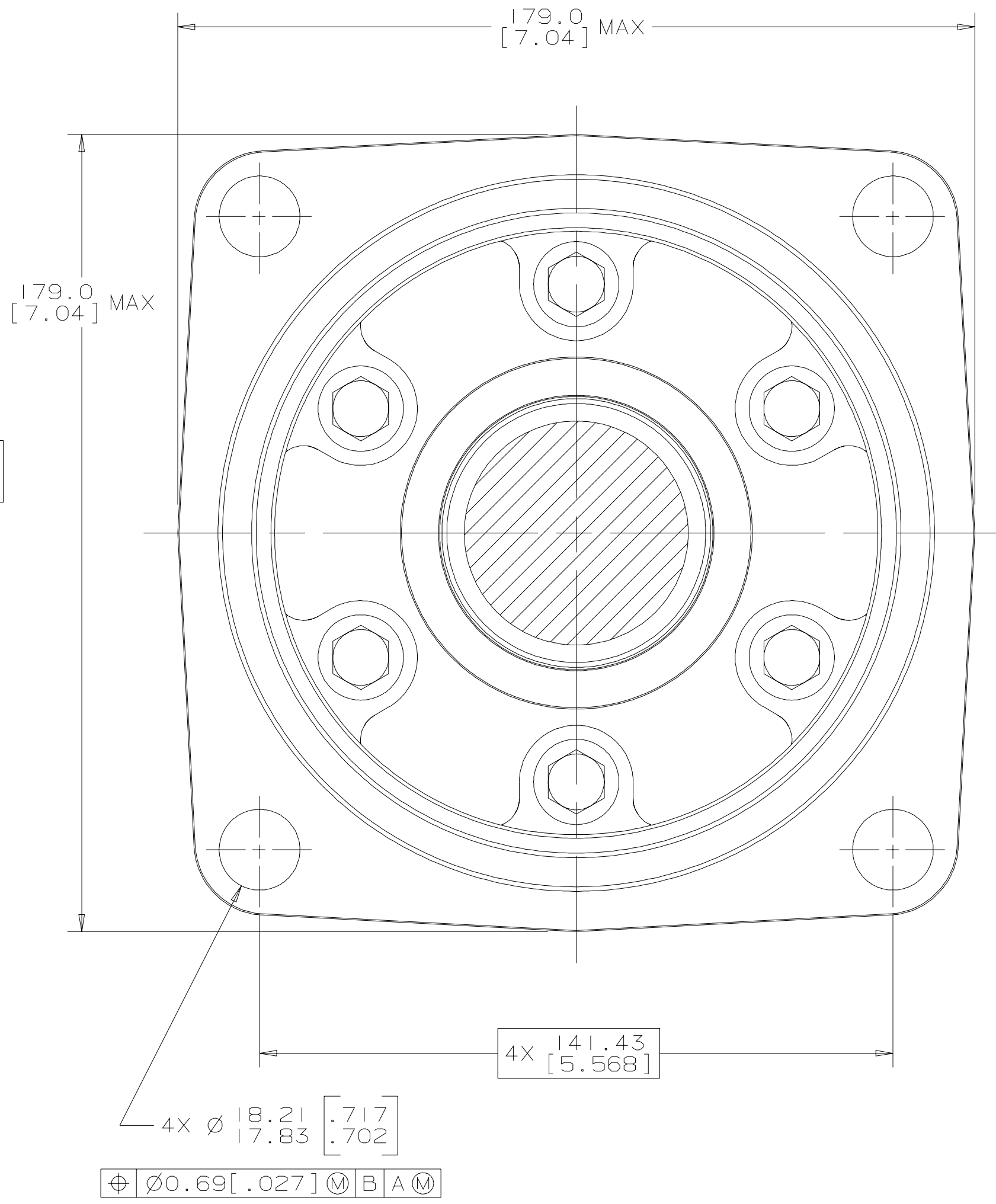
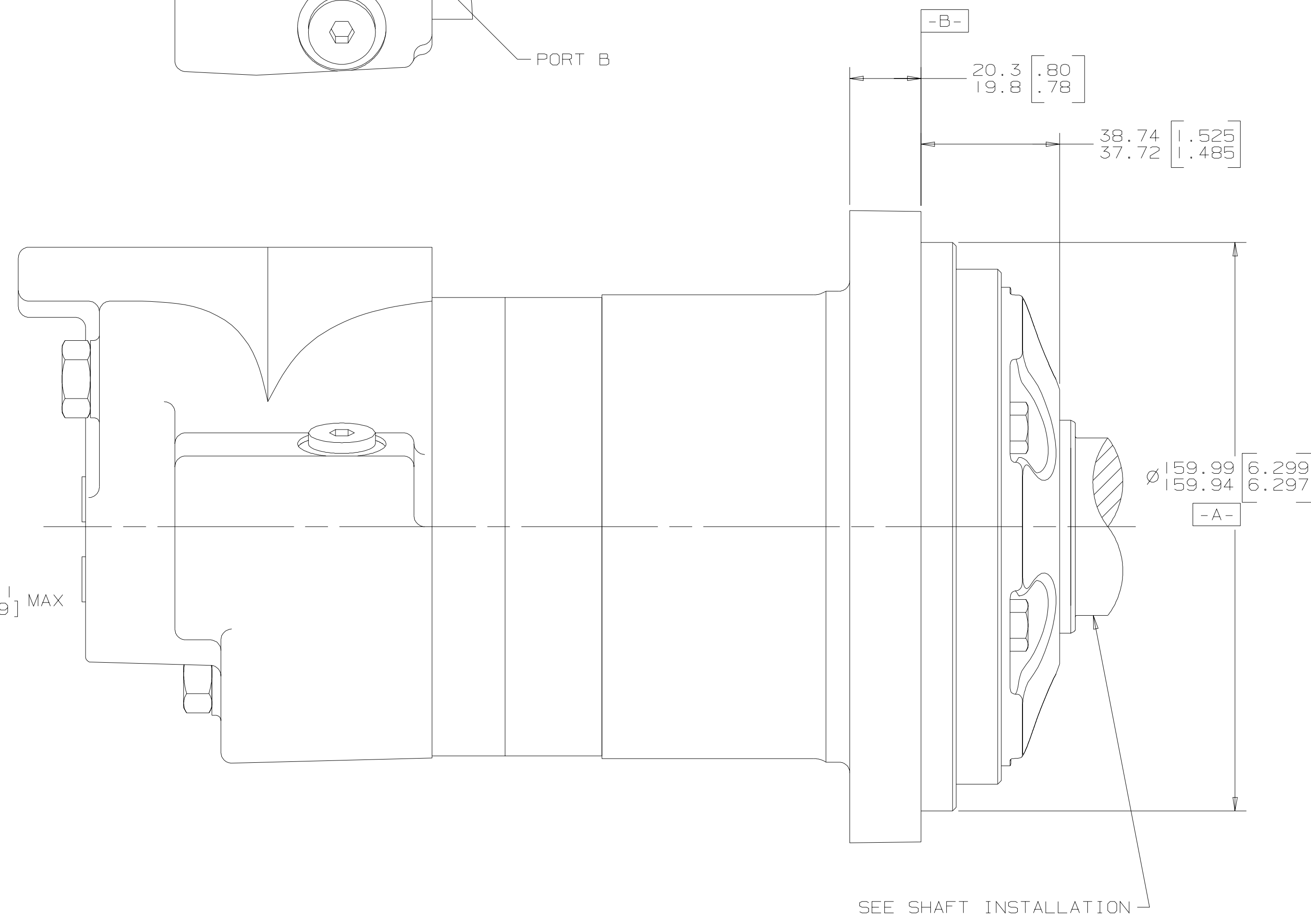
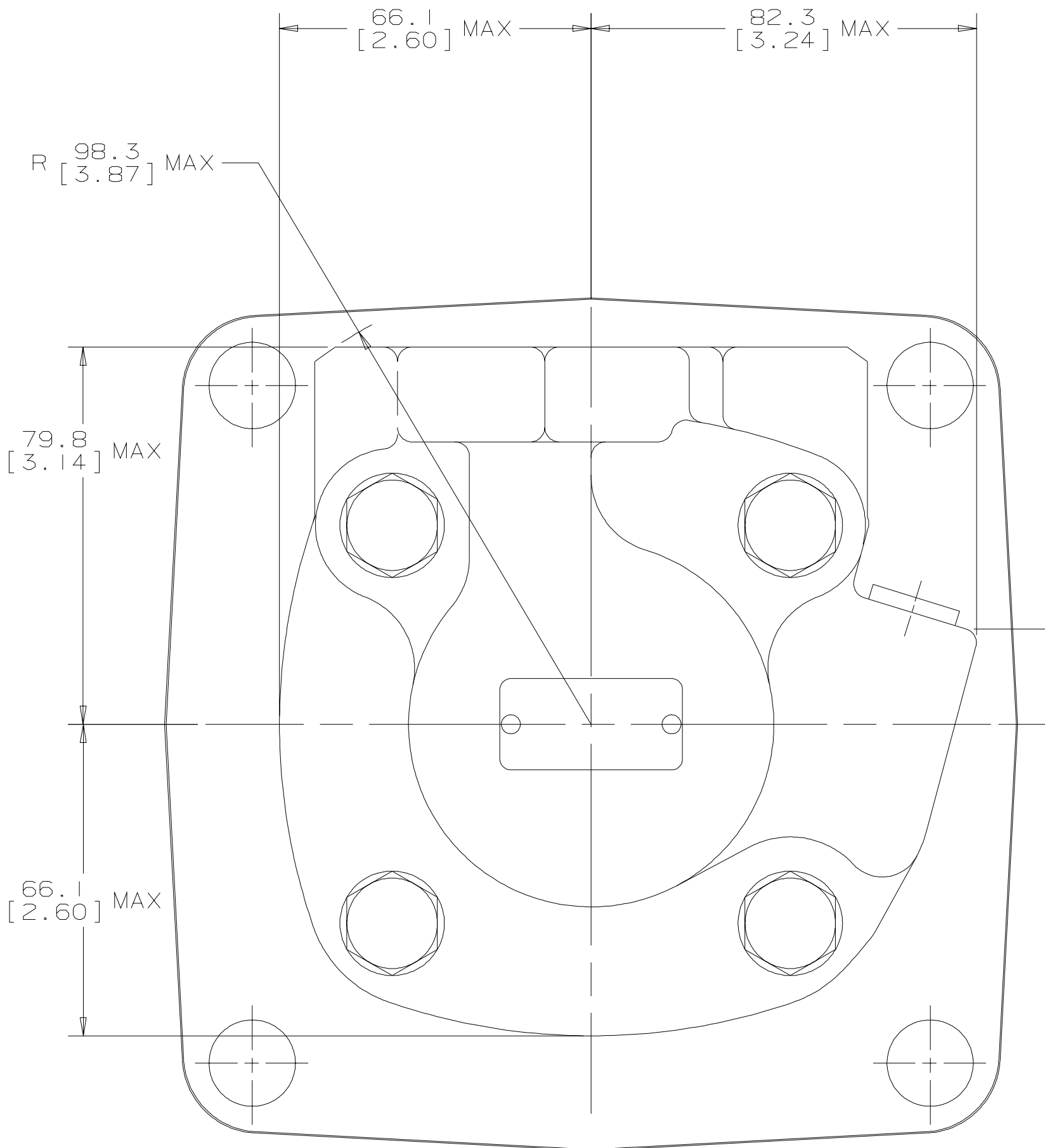
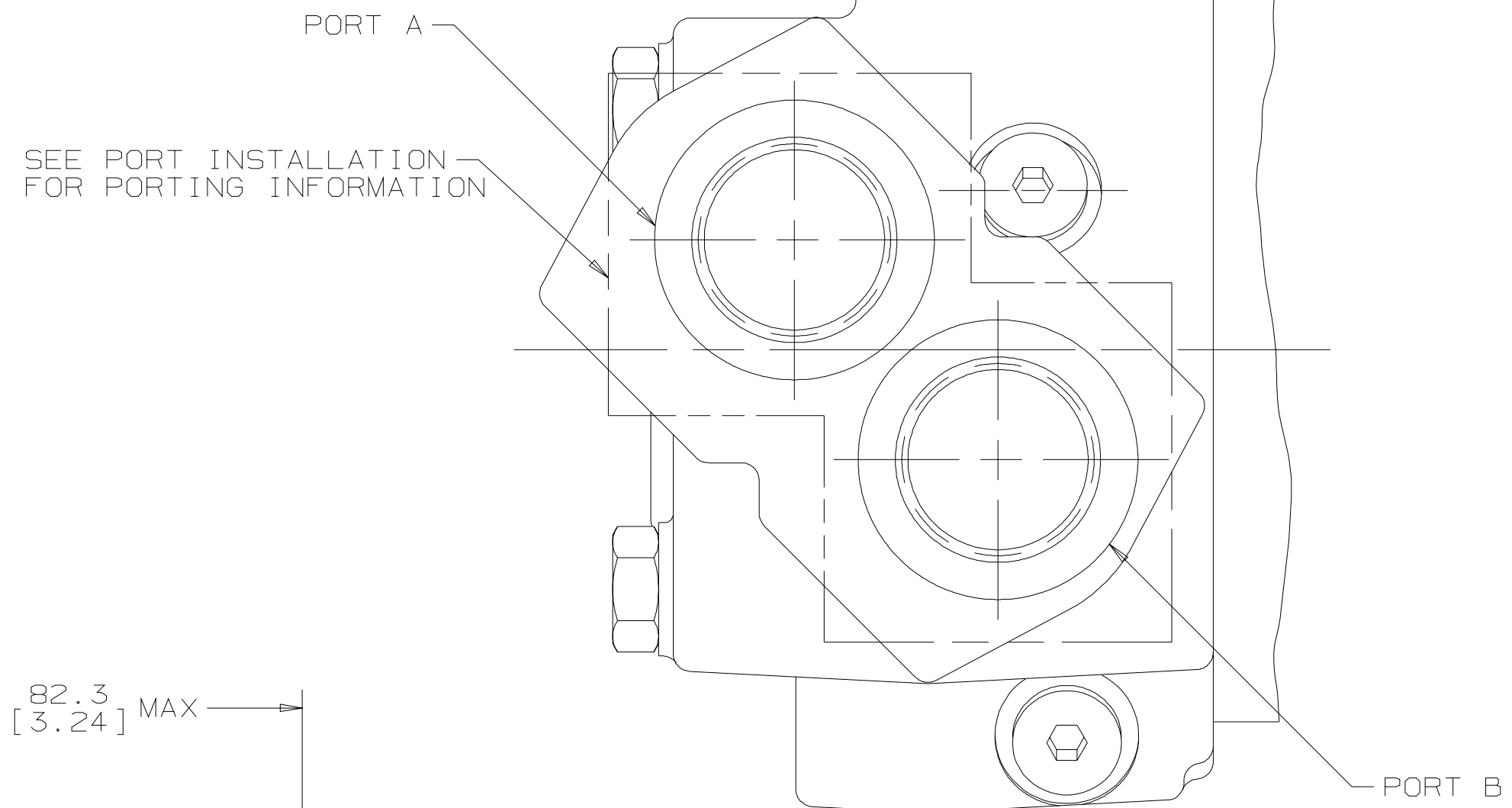


REV	DESCRIPTION	BY	CHK	DATE	ECN
A	ENGINEERING RELEASE	AGJ	RAF	3-30-98	M19152A
B	-1)(3C)ADDED Ø232 [9.134]MAX -2)(2C) WAS 179.6 [7.07]MAX -3)REVISED PICTORIALY	CMR		9-28-98	M20492
C	-1)(6B)REMOVED Ø232.0 [9.13] MAX -2)REVISED PICTORIALY	SMM		10-20-00	36230
D	(3C) 38.74-37.72 [1.525-1.485] WAS 39.37-38.61 [1.550-1.520]	NHB		4-21-05	51426
E	(5D)REVISED PICTORIALY	VVB		2-16-06	M66511
F	(4A) MOUNTING TYPE WAS 'H'	AMM		12-11-06	0001664



NOTE

1 ROTATION
 STANDARD: WHEN FACING SHAFT END OF MOTOR, SHAFT TO ROTATE: CLOCKWISE WHEN PORT "A" IS PRESSURIZED COUNTERCLOCKWISE WHEN PORT "B" IS PRESSURIZED
 REVERSE: WHEN FACING SHAFT END OF MOTOR, SHAFT TO ROTATE: COUNTERCLOCKWISE WHEN PORT "B" IS PRESSURIZED CLOCKWISE WHEN PORT "A" IS PRESSURIZED

2 MOUNTING TYPE: AH
 STANDARD, 4 BOLT: Ø160.0 [6.30] PILOT Ø18.01 [.709] HOLES ON Ø200.0 [7.87] BOLT CIRCLE

UNLESS OTHERWISE SPECIFIED ALL DIMENSIONS ARE IN		DRAWING BASED ON ANSI Y14.5M-1982	
INCHES <input type="checkbox"/>	MILLIMETERS <input checked="" type="checkbox"/>	THE REPRODUCTION, DISTRIBUTION, AND UTILIZATION OF THIS DOCUMENT, AS WELL AS THE COMMUNICATION OF ITS CONTENTS TO OTHERS WITHOUT EXPLICIT AUTHORIZATION IS PROHIBITED. OFFENDERS WILL BE HELD LIABLE FOR THE PAYMENT OF DAMAGES. ALL RIGHTS RESERVED IN THE EVENT OF THE GRANT OF A PATENT, UTILITY MODEL, OR DESIGN. (PER ISO 16016)	
TOLERANCES			
.XX +REF	BY/DATE AGJ 4-6-98	MATERIAL/HEAT TREAT	
.XXX +ONLY	BY/DATE RAF 6-9-98	CHECKED RAF 6-9-98	
UNSPECIFIED RADI ARE	ENGR. BY/DATE KJR 6-9-98	TITLE	
UNSPECIFIED DRAFT ANGLES ARE	METALLURGY BY/DATE	6000 SERIES MOTOR INSTALL	
DRAWING FORMAT CADD <input checked="" type="checkbox"/> MANUAL <input type="checkbox"/>	THIRD ANGLE PROJECTION	MICROINCHES <input type="checkbox"/> NUMBER	A-1308-001
DO NOT SCALE	ARITHMETICAL AVERAGE	SCALE 1/1	SHEET 1 OF 1

G K S