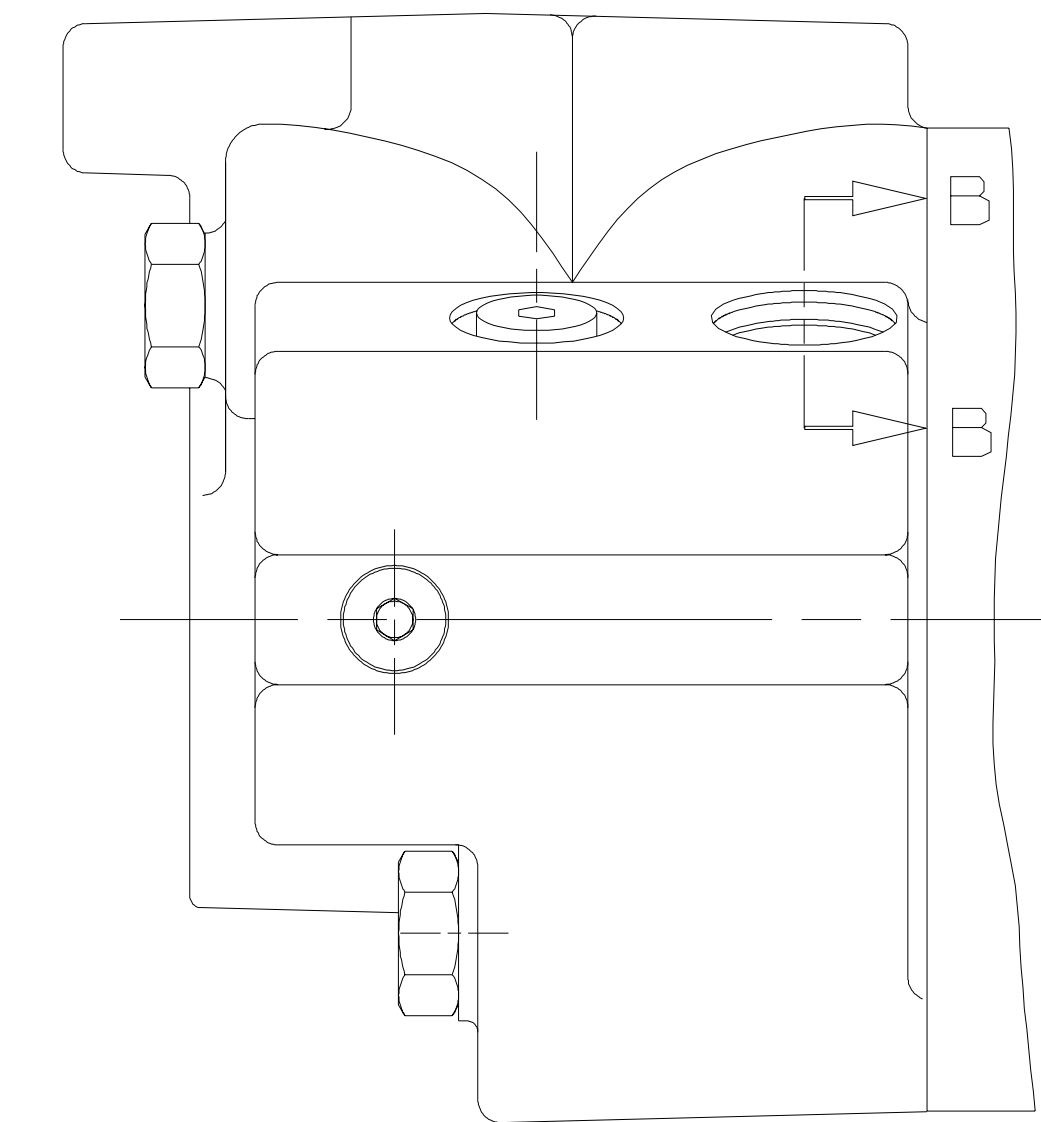
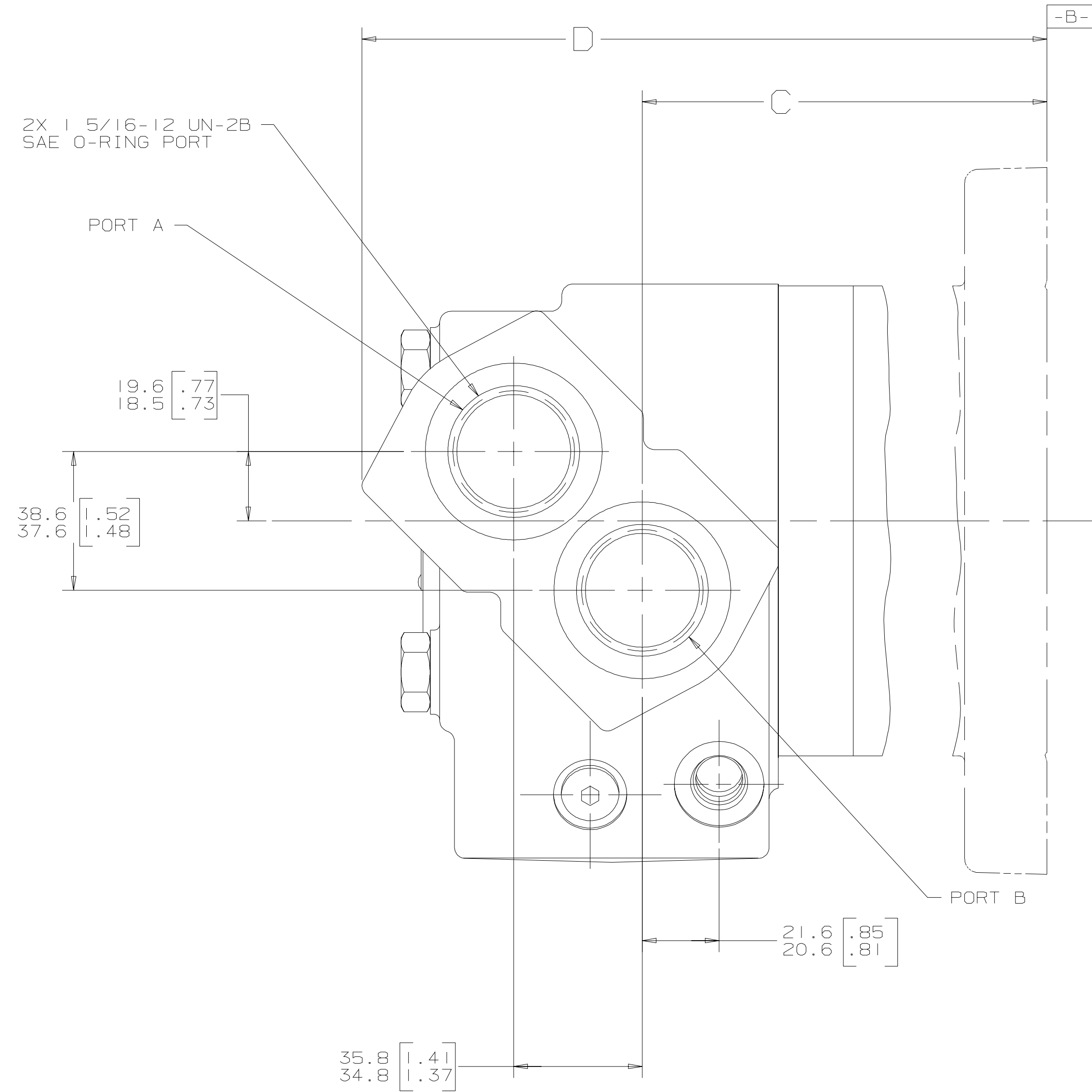
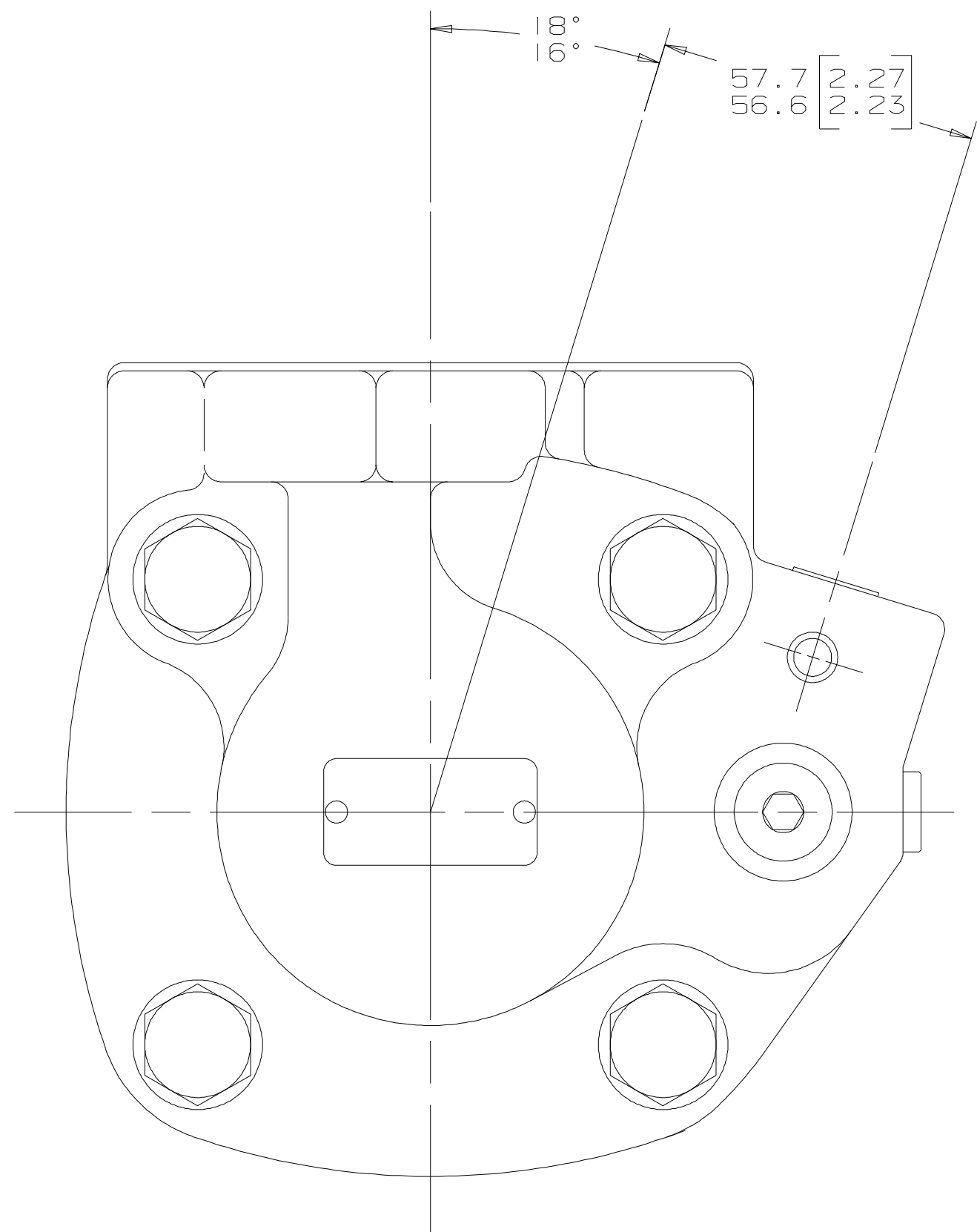
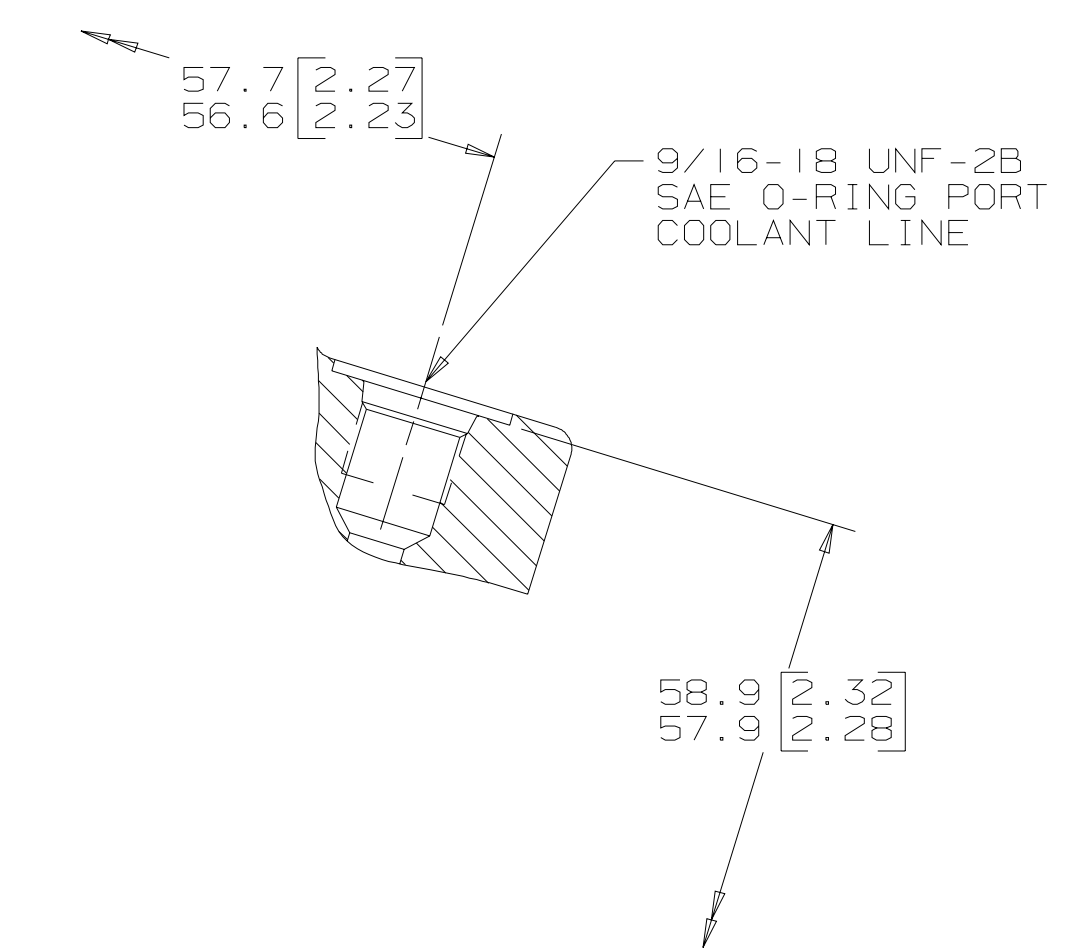


MOUNTING TYPE AA			MOUNTING TYPE AB & AE		
DISP	C	D MAX	DISP	C	D MAX
120	104.3-106.5 [4.11-4.19]	188.0 [7.40]	120	185.9-189.5 [7.32-7.46]	270.1 [10.63]
150	109.9-112.1 [4.33-4.41]	193.6 [7.62]	150	191.5-195.1 [7.54-7.68]	275.6 [10.85]
190	117.3-119.4 [4.62-4.70]	200.7 [7.90]	190	198.8-202.5 [7.83-7.97]	283.0 [11.14]
239	126.2-128.3 [4.97-5.05]	209.6 [8.25]	239	207.5-211.1 [8.17-8.31]	291.6 [11.48]
300	137.1-139.2 [5.40-5.48]	220.8 [8.69]	300	218.6-222.3 [8.61-8.75]	302.8 [11.92]
381	151.8-154.0 [5.98-6.06]	235.5 [9.27]	381	234.4-235.5 [9.23-9.27]	317.5 [12.50]
490	171.7-173.7 [6.76-6.84]	255.3 [10.05]	490	254.3-255.3 [10.01-10.05]	337.3 [13.28]
600	191.7-193.9 [7.55-7.63]	275.1 [10.83]	600	273.0-276.9 [10.75-10.90]	357.4 [14.07]

MOUNTING TYPE AC			MOUNTING TYPE AD		
DISP	C	D MAX	DISP	C	D MAX
120	102.1-103.1 [4.02-4.06]	184.2 [7.25]	120	186.9-188.0 [7.36-7.40]	265.2 [10.44]
150	107.7-108.7 [4.24-4.28]	189.7 [7.47]	150	192.5-193.6 [7.58-7.62]	270.1 [10.66]
190	115.1-116.1 [4.53-4.57]	196.8 [7.75]	190	199.8-200.9 [7.86-7.91]	278.1 [10.95]
239	123.7-125.0 [4.87-4.92]	206.2 [8.12]	239	208.6-209.7 [8.21-8.26]	286.9 [11.30]
300	134.9-135.9 [5.31-5.35]	216.9 [8.54]	300	219.6-220.8 [8.65-8.69]	298.0 [11.73]
381	149.6-150.6 [5.89-5.93]	232.2 [9.14]	381	234.3-235.5 [9.22-9.27]	312.7 [12.31]
490	169.4-170.4 [6.67-6.71]	251.9 [9.92]	490	254.0-255.3 [10.00-10.05]	332.5 [13.09]
600	189.2-190.5 [7.45-7.50]	271.3 [10.68]	600	274.0-275.2 [10.97-10.84]	352.4 [13.88]



REV	DESCRIPTION	BY	CHK	DATE	ECN
A	ENGINEERING RELEASE	RAF		12-10-97	M18882
B	ADDED DISPLACEMENT CODE "49" TO ALL TABS	CMR		7-23-98	31517
C	(1A) ADDED PORT OPTIONS T AND U TO NOTE 1	AGJ		5-6-99	32697
D	REVISED PICTORIALY	AGJ		5-10-01	38066
E	(1A) ADDED OPTION F TO NOTE 1	PM		6-28-05	51740
F	REVISED	JSB		12-11-06	0001664
G	(6B) WAS 60.3 [2.38] / 60.1 [2.36]	YUP		10-16-10	0027893



SECTION B-B

NOTE
1 PORT OPTION AA

REVIEWED FOR CLASSIFICATION PER ESP-042

UNLESS OTHERWISE SPECIFIED ALL DIMENSIONS ARE IN INCHES <input type="checkbox"/> MILLIMETERS <input checked="" type="checkbox"/>		DRAWING BASED ON ANSI Y14.5M-1982	
EATON CORPORATION - CONFIDENTIAL AND PROPRIETARY NOTICE TO PERSONS RECEIVING THIS DRAWING AND/OR TECHNICAL INFORMATION			
THIS DOCUMENT, INCLUDING THE DRAWING AND INFORMATION CONTAINED THEREIN, IS CONFIDENTIAL AND IS THE PROPRIETARY PROPERTY OF EATON CORPORATION AND IS TO BE KEPT IN CONFIDENCE AND NOT TO BE REPRODUCED OR TRANSMITTED IN ANY FORM OR BY ANY MEANS, ELECTRONIC OR MECHANICAL, INCLUDING PHOTOCOPYING, RECORDING, OR BY ANY INFORMATION STORAGE AND RETRIEVAL SYSTEM, WITHOUT THE WRITTEN PERMISSION OF EATON CORPORATION. THIS NOTICE SHALL APPLY TO ALL COPIES OF THIS DOCUMENT.		Eaton Hydraulics Inc. 14615 Lone Oak Road Eden Prairie, MN 55344 USA	
TOLERANCES	DRWEN BY/DATE RAF 12-10-97	MATERIAL/HEAT TREAT	
.XX ±----	CHECKED BY/DATE RAF 12-11-97		
.XXX ±----	ENGR BY/DATE JDM 12-16-97	TITLE	6000 SERIES MOTOR PORT INSTALLATION
±-----	METALLURGY ---- BY/DATE	NUMBER	A-1024-012
UNSPECIFIED RADI R ARE		ARITHMETICAL AVERAGE	SCALE 1/1 SHEET 1 OF 1
UNSPECIFIED DRAFT ANGLES ARE	THIRD ANGLE PROJECTION		
C SIZE	DO NOT SCALE		