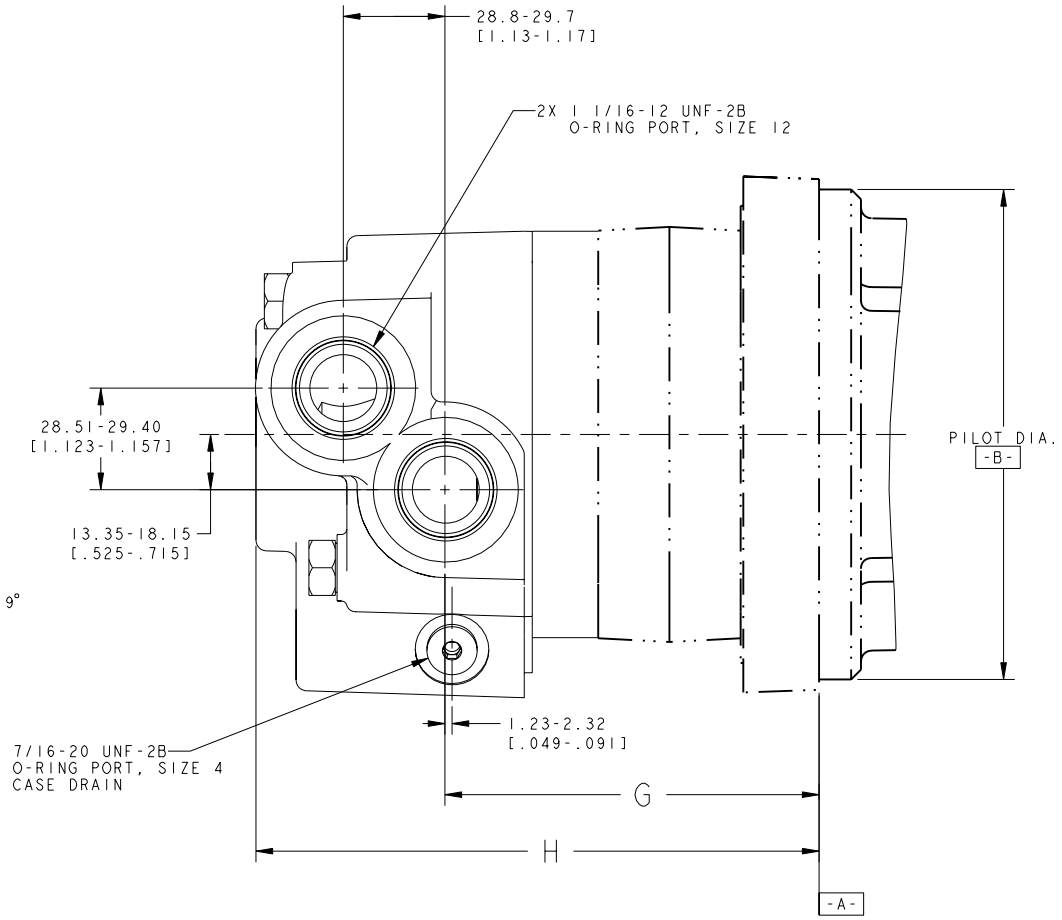
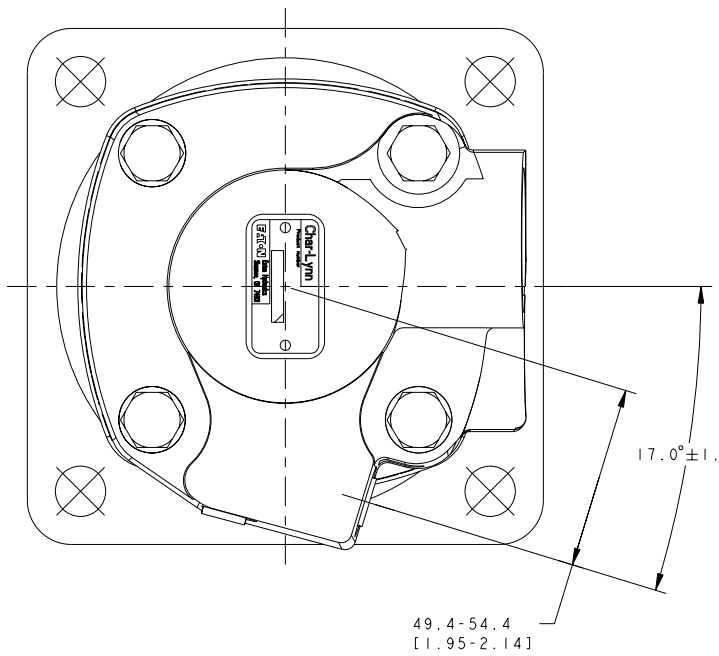


8			7			6			5			4			3			2			1		
MOUNTING TYPE AA & AG			MOUNTING TYPE AB & AM			MOUNTING TYPE AC, AD & AL			MOUNTING TYPE AE			MOUNTING TYPE AF			REV DESCRIPTION BY CHK DATE ECN / MPS								
DISP	G	H MAX	DISP	G	H MAX	DISP	G	H MAX	DISP	G	H MAX	DISP	G	H MAX									
067	90.5-91.6 [3.56-3.61]	146.8 [5.78]	067	157.5-159.2 [6.20-6.27]	214.4 [8.44]	067	86.8-88.1 [3.42-3.47]	143.3 [5.64]	067	138.3-140.5 [5.44-5.53]	195.6 [7.70]	067	161.6-163.4 [6.36-6.43]	218.6 [8.61]	A ENGINEERING RELEASE LK 02-08-92 21551								
080	94.5-95.6 [3.72-3.77]	150.8 [5.94]	080	161.5-163.2 [6.36-6.43]	218.4 [8.60]	080	90.9-92.2 [3.58-3.63]	147.3 [5.80]	080	142.3-144.5 [5.60-5.69]	199.6 [7.86]	080	165.7-167.5 [6.52-6.59]	222.6 [8.77]	M REVISED AND REDRAWN TO PRO-E PRK SDM 04-11-03 ECR16450								
099	100.9-102.0 [3.97-4.01]	157.1 [6.19]	099	167.9-169.6 [6.61-6.68]	224.7 [8.85]	099	97.2-98.5 [3.83-3.88]	153.6 [6.05]	099	148.6-150.8 [5.85-5.94]	206.0 [8.11]	099	172.0-173.8 [6.77-6.84]	229.0 [9.01]									
125	109.4-110.5 [4.31-4.35]	165.7 [6.52]	125	176.4-178.1 [6.94-7.01]	233.2 [9.18]	125	105.7-107.0 [4.16-4.21]	162.2 [6.39]	125	157.2-159.4 [6.19-6.27]	214.5 [8.45]	125	180.5-182.3 [7.11-7.18]	237.5 [9.35]									
150	100.9-102.0 [3.97-4.01]	157.1 [6.19]	150	167.9-169.6 [6.61-6.68]	224.7 [8.85]	150	97.2-98.5 [3.83-3.88]	153.6 [6.05]	150	148.6-150.8 [5.85-5.94]	206.0 [8.11]	150	172.0-173.8 [6.77-6.84]	229.0 [9.01]									
171	105.3-106.4 [4.14-4.19]	161.5 [6.36]	171	172.2-174.0 [6.78-6.85]	229.1 [9.02]	171	101.6-102.9 [4.00-4.05]	158.0 [6.22]	171	153.0-155.2 [6.02-6.11]	210.4 [8.28]	171	176.4-178.2 [6.94-7.02]	233.3 [9.19]									
190	109.4-110.5 [4.31-4.35]	165.7 [6.52]	190	176.4-178.1 [6.94-7.01]	233.2 [9.18]	190	105.7-107.0 [4.16-4.21]	162.2 [6.39]	190	157.2-159.4 [6.19-6.27]	214.5 [8.45]	190	180.5-182.3 [7.11-7.18]	237.5 [9.35]									
240	120.1-121.2 [4.73-4.77]	176.3 [6.94]	240	187.1-188.8 [7.36-7.43]	243.9 [9.60]	240	116.4-117.7 [4.58-4.63]	172.8 [6.81]	240	167.8-170.0 [6.61-6.69]	225.2 [8.87]	240	191.2-193.0 [7.53-7.60]	248.2 [9.77]									
301	132.9-134.0 [5.23-5.28]	189.2 [7.45]	301	199.9-201.6 [7.87-7.94]	256.8 [10.11]	301	129.2-130.5 [5.09-5.14]	185.7 [7.31]	301	180.7-182.9 [7.11-7.20]	238.0 [9.37]	301	204.0-205.9 [8.03-8.10]	261.0 [10.28]									
342	141.7-142.8 [5.58-5.62]	198.0 [7.79]	342	208.7-210.4 [8.22-8.28]	265.6 [10.46]	342	138.0-139.3 [5.43-5.49]	194.5 [7.66]	342	189.5-191.7 [7.46-7.55]	246.8 [9.72]	342	212.8-214.6 [8.38-8.45]	269.8 [10.62]									
381	150.0-151.1 [5.91-5.95]	206.2 [8.12]	381	217.0-218.7 [8.54-8.61]	273.8 [10.78]	381	146.3-147.6 [5.76-5.81]	202.8 [7.98]	381	197.7-199.9 [7.79-7.87]	255.1 [10.04]	381	221.1-222.9 [8.71-8.78]	278.1 [10.95]									

MOUNTING TYPE AH		
DISP	G	H MAX
067	136.8-138.3 [5.39-5.45]	193.5 [7.62]
080	140.8-142.4 [5.54-5.61]	197.5 [7.78]
099	147.1-148.7 [5.79-5.85]	203.9 [8.03]
125	155.7-157.2 [6.13-6.19]	212.4 [8.36]
150	147.1-148.7 [5.79-5.85]	203.9 [8.03]
171	151.5-153.1 [5.97-6.03]	208.3 [8.20]
190	155.7-157.2 [6.13-6.19]	212.4 [8.36]
240	166.4-167.9 [6.55-6.61]	223.1 [8.78]
301	179.2-180.8 [7.06-7.12]	235.9 [9.29]
342	188.0-189.6 [7.40-7.46]	244.7 [9.63]
381	196.3-197.8 [7.73-7.79]	253.0 [9.96]



NOTES  
 1 PORTS - OPTION AB  
 2 CASE FLOW - OPTION 02

REVIEWED FOR CLASSIFICATION PER ESP-042

UNLESS OTHERWISE SPECIFIED ALL DIMENSIONS ARE IN INCHES		DRAWING BASED ON ANSI Y14.5M-1982	
MILLIMETERS (INCHES)		EATON CORPORATION - CONFIDENTIAL AND PROPRIETARY	
TOLERANCES		NOTICE TO PERSONS RECEIVING THIS DRAWING	
.X ± ---	---	AND / OR TECHNICAL INFORMATION	
.XX ± REF	---	THIS DOCUMENT AND THE DRAWING AND INFORMATION CONTAINED THEREIN IS CONFIDENTIAL AND IS THE EXCLUSIVE PROPERTY OF EATON CORPORATION AND IS NOT TO BE REPRODUCED OR TRANSMITTED IN ANY FORM OR BY ANY MEANS, ELECTRONIC OR MECHANICAL, INCLUDING PHOTOCOPYING, RECORDING, OR BY ANY INFORMATION STORAGE AND RETRIEVAL SYSTEM, WITHOUT THE WRITTEN PERMISSION OF EATON CORPORATION. IN THE EVENT OF CONFLICTING CONDITIONS, THIS NOTICE SHALL GOVERN THE TERMS OF THIS DOCUMENT. © EATON CORPORATION 2008 EATON CORPORATION. ALL RIGHTS RESERVED.	
.XXX ± ONLY	---	Eaton Hydraulics Inc. 14615 Long Oak Road Eden Prairie, MN 55344 USA	
UNSPECIFIED RADII ARE:	---	DRAWN LJK BY/DATE 05-02-92	
UNSPECIFIED DRAFT ANGLES ARE:	---	CHECKED KJR BY/DATE 06-29-92	
---	---	ENGRG RA BY/DATE 07-31-92	
---	---	METALLURGY ---	
---	---	TITLE	
---	---	4000 SERIES MOTOR PORT INSTALL.	
---	---	NUMBER	
---	---	A-556-002	
---	---	SCALE 1/1	
---	---	SHEET 1 OF 1	