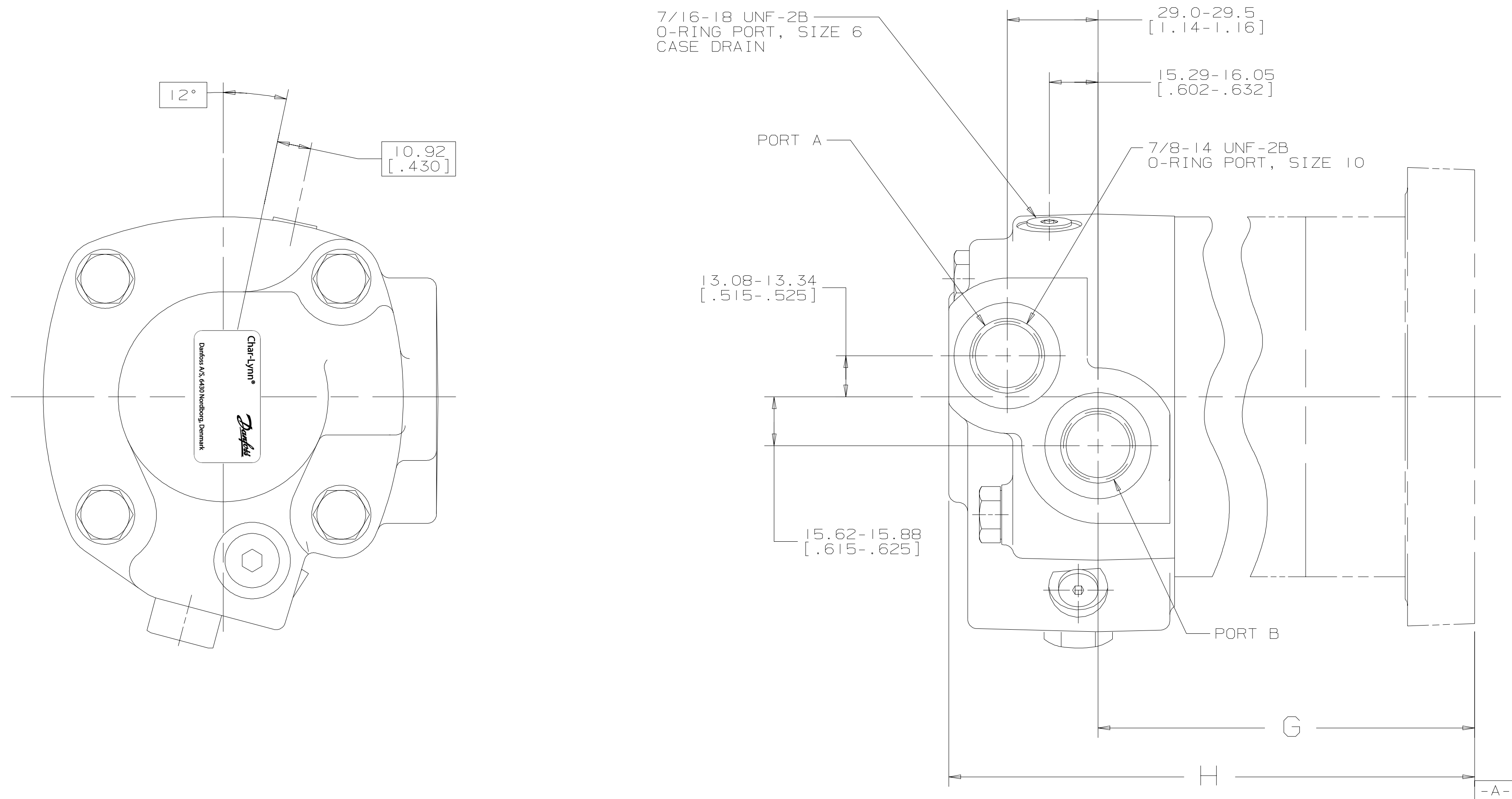


MOUNTING TYPE AA			MOUNTING TYPE AB OR AM			MOUNTING TYPE AC OR AD			MOUNTING TYPE AE			MOUNTING TYPE AF OR AJ		
DISP	G	H MAX	DISP	G	H MAX	DISP	G	H MAX	DISP	G	H MAX	DISP	G	H MAX
067	90.6-91.5 [3.57-3.60]	139.9 [5.51]	067	157.6-159.1 [6.20-6.26]	207.5 [8.17]	067	86.9-88.0 [3.42-3.47]	136.4 [5.37]	067	138.5-140.4 [5.45-5.53]	188.7 [7.43]	067	161.7-163.3 [6.37-6.43]	211.7 [8.34]
080	94.6-95.6 [3.73-3.76]	143.9 [5.67]	080	161.6-163.1 [6.36-6.42]	211.5 [8.33]	080	91.0-92.1 [3.58-3.62]	140.5 [5.53]	080	142.5-144.4 [5.61-5.68]	192.8 [7.59]	080	165.8-167.4 [6.53-6.59]	215.8 [8.50]
099	101.0-101.9 [3.98-4.01]	150.3 [5.92]	099	167.9-169.5 [6.61-6.67]	217.9 [8.58]	099	97.3-98.4 [3.83-3.87]	146.8 [5.78]	099	148.8-150.7 [5.86-5.93]	199.1 [7.84]	099	172.1-173.7 [6.78-6.84]	222.1 [8.74]
125	109.5-110.4 [4.31-4.35]	158.8 [6.25]	125	176.5-178.0 [6.95-7.01]	226.4 [8.91]	125	105.8-106.9 [4.17-4.21]	155.3 [6.12]	125	157.2-159.3 [6.19-6.27]	207.6 [8.18]	125	180.6-182.2 [7.11-7.18]	230.6 [9.08]
150	101.0-101.9 [3.98-4.01]	150.3 [5.92]	150	167.9-169.5 [6.61-6.67]	217.9 [8.58]	150	97.3-98.4 [3.83-3.87]	146.8 [5.78]	150	148.8-150.7 [5.86-5.93]	199.1 [7.84]	150	172.1-173.7 [6.78-6.84]	222.1 [8.74]
171	105.4-106.3 [4.15-4.18]	154.7 [6.09]	171	172.5-174.0 [6.79-6.85]	222.2 [8.75]	171	101.7-102.8 [4.00-4.05]	151.2 [5.95]	171	153.2-155.1 [6.03-6.11]	203.5 [8.01]	171	176.5-178.1 [6.95-7.01]	226.5 [8.92]
190	109.5-110.4 [4.31-4.35]	158.8 [6.25]	190	176.5-178.0 [6.95-7.01]	226.4 [8.91]	190	105.8-106.9 [4.17-4.21]	155.3 [6.12]	190	157.2-159.3 [6.19-6.27]	207.6 [8.18]	190	180.6-182.2 [7.11-7.18]	230.6 [9.08]
240	120.2-121.1 [4.73-4.77]	169.5 [6.67]	240	187.1-188.7 [7.37-7.43]	237.1 [9.33]	240	116.5-117.6 [4.59-4.63]	166.0 [6.54]	240	167.9-169.9 [6.61-6.69]	218.3 [8.60]	240	191.3-192.9 [7.53-7.60]	241.3 [9.50]
301	133.0-134.0 [5.24-5.28]	182.4 [7.18]	301	199.9-201.6 [7.87-7.94]	250.0 [9.84]	301	129.3-130.5 [5.09-5.14]	178.9 [7.04]	301	180.8-182.8 [7.12-7.20]	231.2 [9.10]	301	204.1-205.8 [8.04-8.10]	254.2 [10.01]
381	150.0-151.1 [5.91-5.95]	199.4 [7.85]	381	217.0-218.6 [8.54-8.61]	267.0 [10.51]	381	146.4-147.6 [5.76-5.81]	196.0 [7.72]	381	197.9-199.9 [7.79-7.87]	248.3 [9.78]	381	221.2-222.9 [8.71-8.78]	271.3 [10.68]

REV	DESCRIPTION	BY	CHK	DATE	ECN
A	ENGINEERING RELEASE	MLL		9-19-01	M26327
B	REVISED PICTORIALLY	AGJ		9-30-03	45313
C	REVISED TABULATION BLOCKS	AGJ		5-17-04	47918
D	-1)(2A)PORT OPTION WAS "B" -2)ADDED CASE FLOW OPTION "06" -3)UPDATED DISP VALUES AND MOUNTING TYPE IN THE TABLE -4)ADDED LOW PRESSURE RELIEF OPTION "B"	AMM		1-24-07	0002527



NOTES

- 1 PORTS - OPTION AA
- 2 CASE FLOW - OPTION 06
- 3 LOW PRESSURE RELIEF - OPTION B

UNLESS OTHERWISE SPECIFIED ALL DIMENSIONS ARE IN		DRAWING BASED ON ANSI Y14.5M-1982	
INCHES <input type="checkbox"/>	MILLIMETERS <input checked="" type="checkbox"/>	THE REPRODUCTION, DISTRIBUTION, AND UTILIZATION OF THIS DOCUMENT, AS WELL AS THE COMMUNICATION OF ITS CONTENTS TO OTHERS WITHOUT EXPLICIT AUTHORIZATION IS PROHIBITED. OFFENDERS WILL BE HELD LIABLE FOR THE PAYMENT OF DAMAGES. ALL RIGHTS RESERVED IN THE EVENT OF THE GRANT OF A PATENT, UTILITY MODEL OR DESIGN. (PER ISO 16016)	
TOLERANCES			
.X	----	DRAWN BY/DATE: MLL 9-25-01	MATERIAL/HEAT TREAT
.XX	----	CHECKED BY/DATE: SMM 10-2-01	
.XXX	----	ENGR BY/DATE: TRF 10-5-01	TITLE: 4000 SERIES MOTOR PORT INSTALLATION
UNSPECIFIED RADI ARE	----	METALLURGY	
UNSPECIFIED DRAFT ANGLES ARE	----	THIRD ANGLE PROJECTION	NUMBER: A-556-014
DRAWING FORMAT CAD <input checked="" type="checkbox"/> MANUAL <input type="checkbox"/>	DO NOT SCALE	ARITHMETICAL AVERAGE	SCALE: 1/1 SHEET 1 OF 1